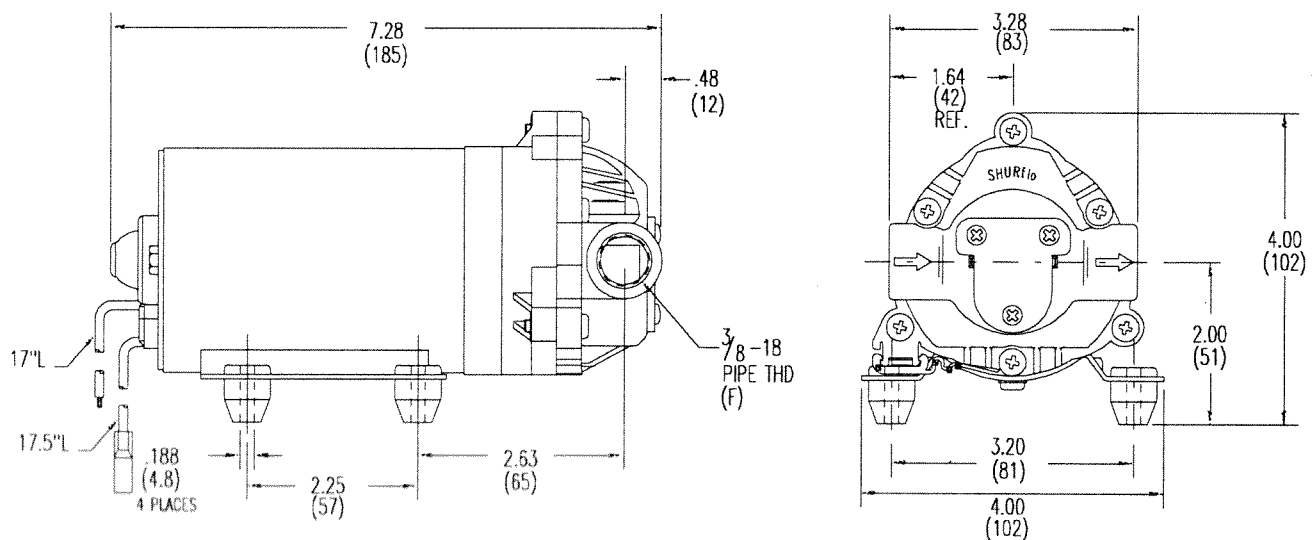
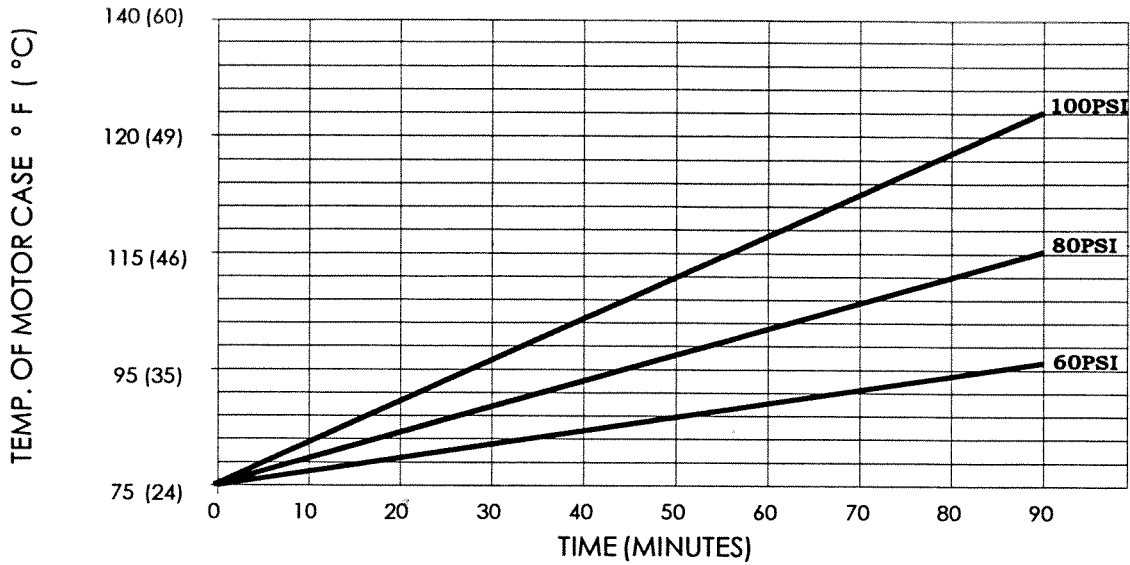


**SHURflo**<sup>®</sup>**MODEL: 8010-102-210****SPECIFICATIONS:****MODEL NUMBER:** 8010-102-210**PUMP DESIGN:** Positive Displacement 3 Chamber Diaphragm Pump**CAM:** 2.5 Degree**MOTOR:** Permanent Magnet, P/N 11-169-00**VOLTAGE:** 24 VAC Nominal**PRESSURE SWITCH:** None**LIQUID TEMPERATURE:** 180 Degrees Fahrenheit (82 Degrees Centigrade) Max.**PORTS:** 3/8"-18 NPT Female**MATERIAL OF CONSTRUCTION:****PLASTICS-** Nylon**VALVES-** EPDM**DIAPHRAGM-** Santoprene**FASTENERS-** Stainless Steel**NET WEIGHT:** 4.6 Lbs (2.08 Kg)**DUTY CYCLE:** Continuous (See Temperature Rise Chart)**APPROVALS:** NSF Listed**TYPICAL APPLICATIONS:** R.O. Booster Pump**BYPASS:** 80 PSI**DIMENSIONS:**

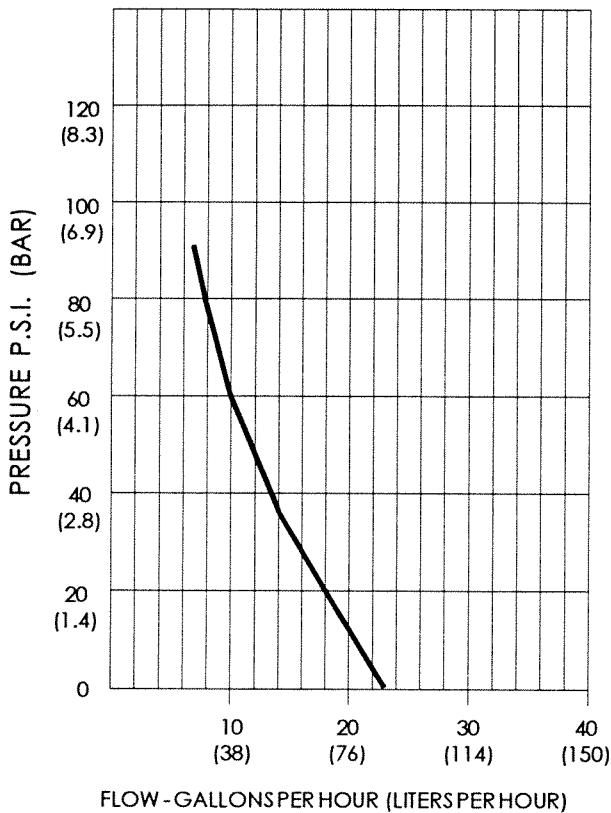
MODEL: 8010-102-210

**TEMPERATURE RISE**



THIS GRAPH IS FOR USE AS A DESIGN GUIDE. IT IS BASED ON RUNNING CONTINUOUSLY WITH AN AMBIENT TEMPERATURE OF 70 ° F IN STILL AIR.

**TYPICAL PERFORMANCE**



PRESSURE (PSI)	FLOW (GPH/LIT)	RPM MIN/MAX	CURRENT (AMPS)	VOLTAGE (VOLTS)
OPEN	22.4/84.8	680/710	0.43	24 VAC
10	20.1/14.3	630/645	0.48	"
20	18.1/68.5	610/625	0.57	"
30	15.8/59.8	575/590	0.66	"
40	13.8/52.2	540/550	0.74	"
50	11.7/44.3	515/525	0.82	"
60	9.9/37.5	480/490	0.90	"
70	9.6/36.3	445/455	0.95	"
80	7.9/29.9	420/425	1.00	"
90	7.0/26.5	415/420	1.11	"

For technical advice or service please take your pump into your local pump service center.

To order pump or parts or for pricing please go to the following links :

[Shurflo Pumps Home >>](#)

[Shurflo Pumps stock list >>](#)