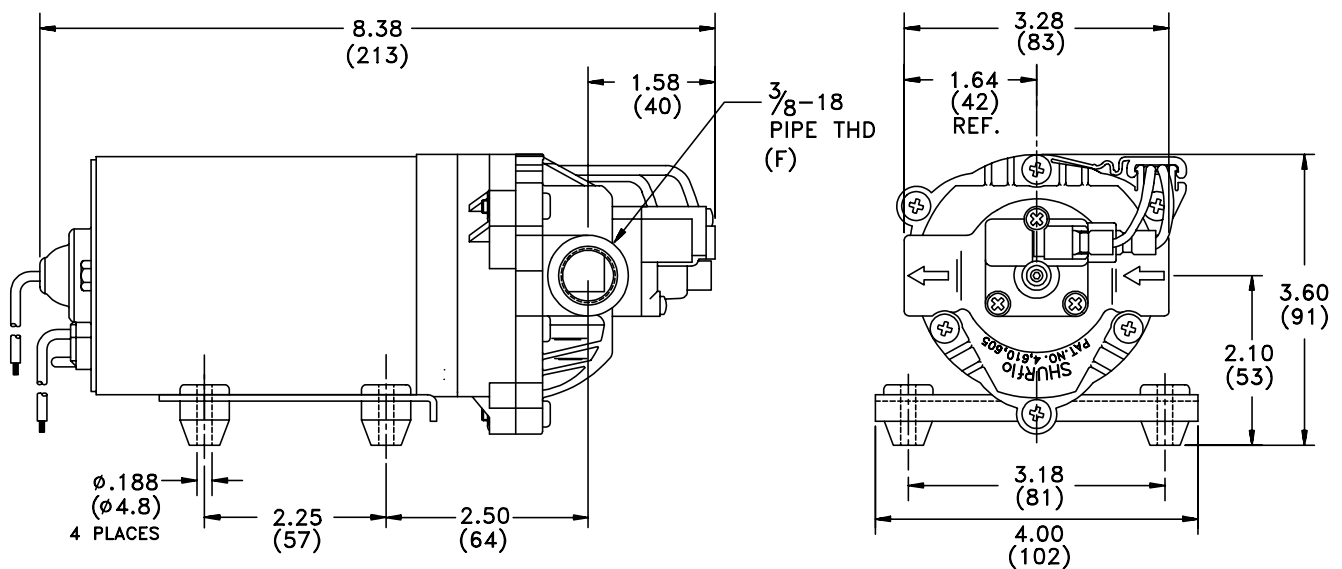
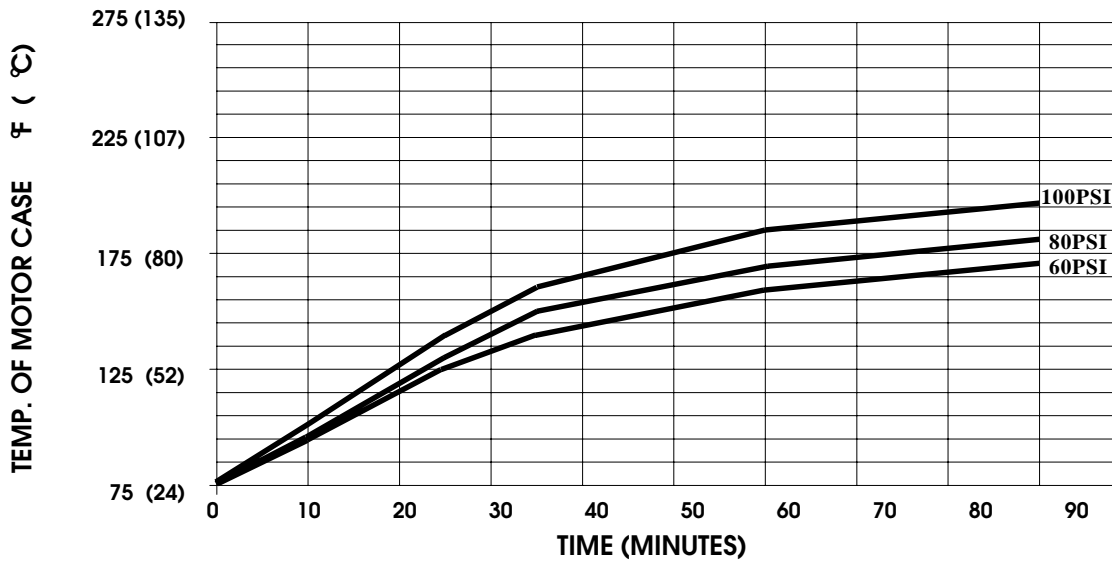


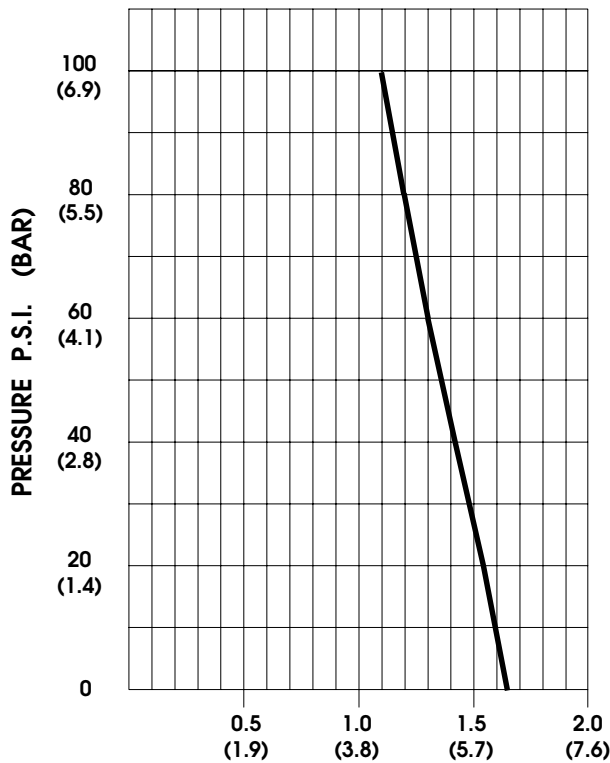
**PRODUCT DATA SHEET****MODEL: 8006-943-238****SPECIFICATIONS:****MODEL NUMBER:** 8006-943-238**PUMP DESIGN:** Positive Displacement 3 Chamber Diaphragm Pump**CHECK VALVE:** (1-Way Operation) Prevents Reverse Flow**CAM:** 3.0 Degree**MOTOR:** Permanent Magnet, P/N 11-111-07**VOLTAGE:** 12 VDC Nominal**PRESSURE SWITCH:** Adjustable Shut-Off (Range 80-100 PSI)Factory Set @ 100 PSI, Turn On 85 PSI \pm 5 PSI**LIQUID TEMPERATURE:** 180 Degrees Fahrenheit (82 Degrees Centigrade) Max.**PRIME:** Self-Priming Up To 13 Ft. Vertical,
Max. Inlet Pressure 30 PSI (2.1 Bar)**PORTS:** 3/8"-18 NPT Female**MATERIAL OF CONSTRUCTION:****PLASTICS-** Nylon**VALVES-** EPDM**DIAPHRAGM-** Santoprene**FASTENERS-** Zinc or Cad Plated Steel**NET WEIGHT** 4.6 Lbs (2.08 Kg)**DUTY CYCLE:** Intermittent (See Temperature Rise Chart)**TYPICAL APPLICATIONS:** Soil Extraction**DIMENSIONS:**

TEMPERATURERISE



THIS GRAPH IS FOR USE AS A DESIGN GUIDE. IT IS BASED ON RUNNING CONTINUOUSLY WITH AN AMBIENT TEMPERATURE OF 75° F IN STILL AIR.

TYPICAL PERFORMANCE



PRESSURE (PSI)	FLOW (GPM/LIT)	RPM MIN/MAX	CURRENT (AMPS)	VOLTAGE (VOLTS)
OPEN	1.65/6.2	2160/2170	3.6	24VDC
10	1.60/6.0	2140/2150	4.0	"
20	1.53/5.8	2085/2100	4.7	"
30	1.46/5.5	2030/2055	5.5	"
40	1.39/5.3	2000/2015	6.1	"
50	1.35/5.1	1940/1980	6.8	"
60	1.29/4.9	1900/1945	7.4	"
70	1.25/4.7	1850/1910	8.1	"
80	1.21/4.6	1795/1880	8.7	"
90	1.16/4.4	1755/1835	9.2	"
100	1.11/4.2	1710/1795	9.8	"

FLOW - GALLONS PER MINUTE (LITERS PER MINUTE)

-SPECIFICATIONS SUBJECT TO CHANGE WITHOUT NOTICE.

For technical advice or service please take your pump into your local pump service center.

To order pump or parts or for pricing please go to the following links :

[Shurflo Pumps Home >>](#)

[Shurflo Pumps stock list >>](#)