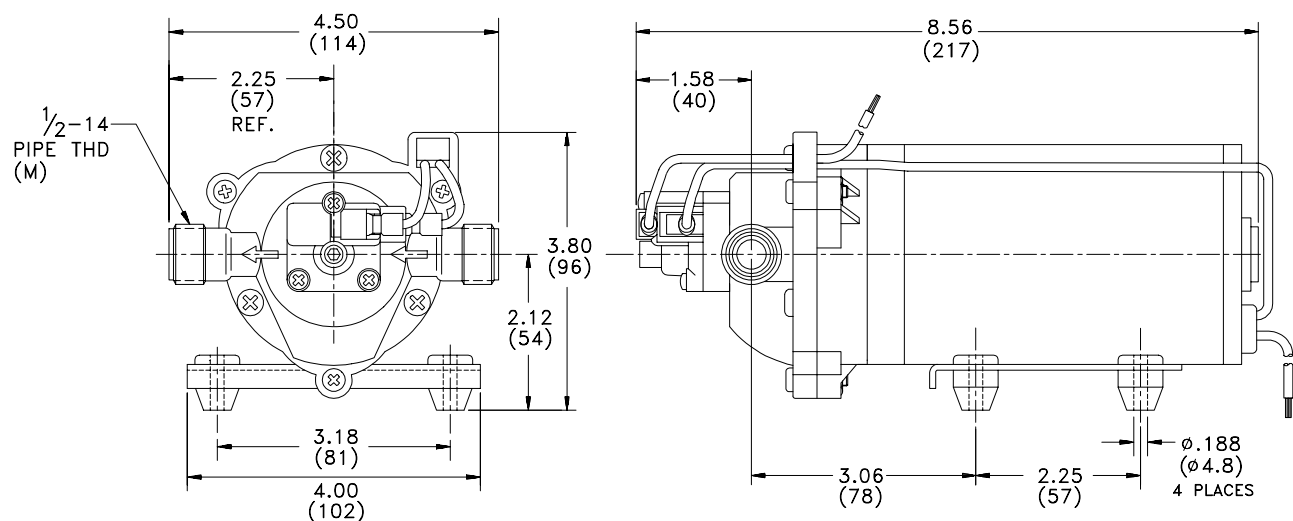
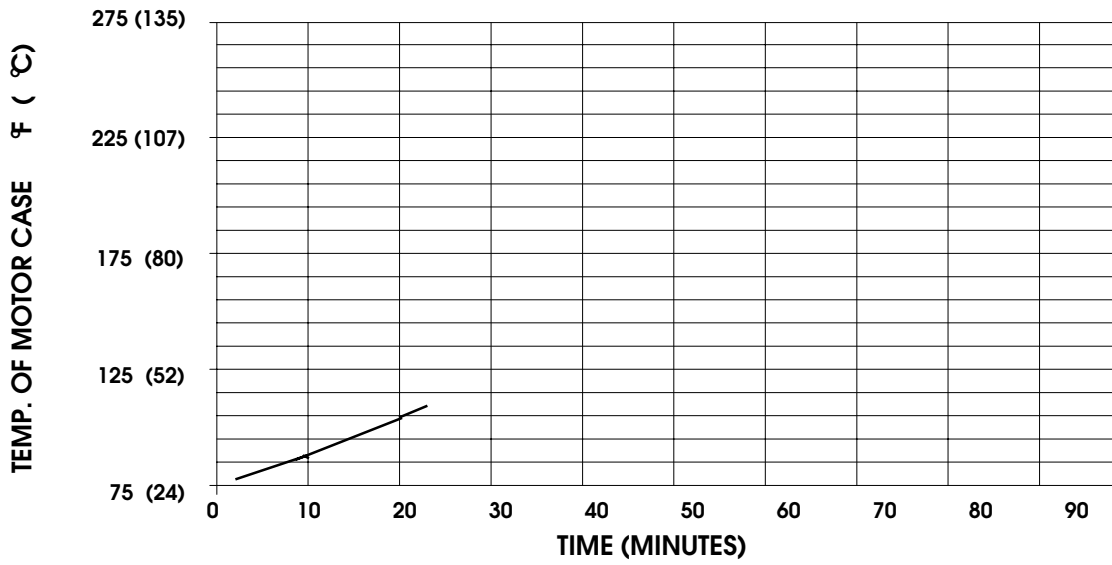
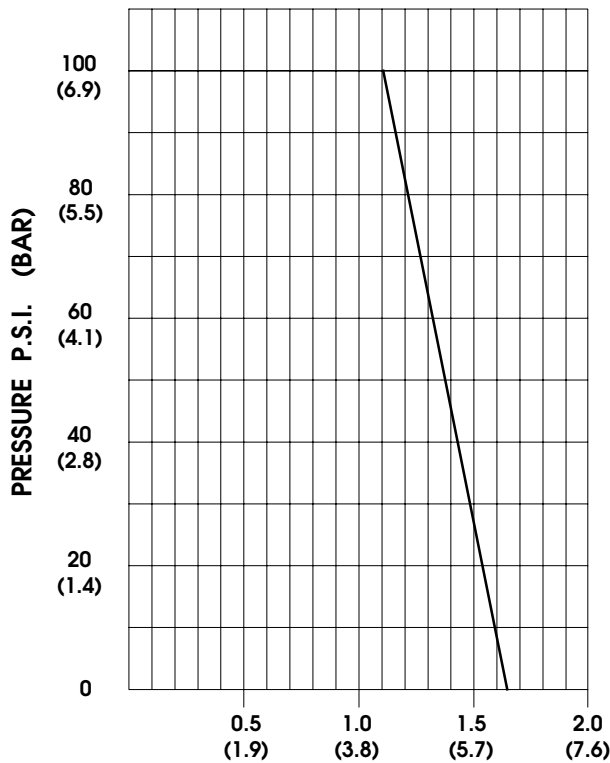


**PRODUCT DATA SHEET****MODEL: 8006-783-138****SPECIFICATIONS:****MODEL NUMBER:** 8006-783-138**PUMP DESIGN:** Positive Displacement 3 Chamber Diaphragm Pump**CHECK VALVE:** (1-Way Operation) Prevents Reverse Flow**CAM:** 3.0 Degree**MOTOR:** Permanent Magnet, P/N 11-119-06**VOLTAGE:** 36 VDC Nominal**PRESSURE SWITCH:** Adjustable Shut-Off (Range 80-100 PSI)Factory Set @ 100 PSI, Turn On 85 PSI \pm 5 PSI**LIQUID TEMPERATURE:** 180 Degrees Fahrenheit (82 Degrees Centigrade) Max.**PRIME:** Self-Priming Up To 12 Ft. Vertical,
Max. Inlet Pressure 30 PSI (2.1 Bar)**PORTS:** 1/2" - 14 Male Parallel Thread**MATERIAL OF CONSTRUCTION:****PLASTICS-** Nylon**VALVES-** EPDM**DIAPHRAGM-** Santoprene**FASTENERS-** Zinc Plated Steel**NET WEIGHT:** 5.1 Lbs (2.3 Kg)**DUTY CYCLE:** Continuous (See Temperature Rise Chart)**TYPICAL APPLICATIONS:** Soil Extraction**DIMENSIONS:**

TEMPERATURE RISE



TYPICAL PERFORMANCE



PRESSURE (PSI)	FLOW (GPM/LIT)	RPM MIN/MAX	CURRENT (AMPS)	VOLTAGE (VOLTS)
OPEN	1.63/6.2	2330/2435	0.91	36VDC
10	1.58/6.0	2300/2395	1.13	
20	1.52/5.7	2245/2335	1.40	
30	1.47/5.5	2165/2280	1.64	
40	1.40/5.3	2150/2225	1.88	
50	1.35/5.1	2105/2175	2.11	
60	1.30/4.9	2070/2125	2.32	
70	1.24/4.7	2025/2080	2.54	
80	1.19/4.5	1985/2030	2.73	
90	1.16/4.4	1935/1985	2.93	
100	1.10/4.1	1900/1935	3.10	

FLOW - GALLONS PER MINUTE (LITERS PER MINUTE)

For technical advice or service please take your pump into your local pump service center.

To order pump or parts or for pricing please go to the following links :

[Shurflo Pumps Home >>](#)

[Shurflo Pumps stock list >>](#)