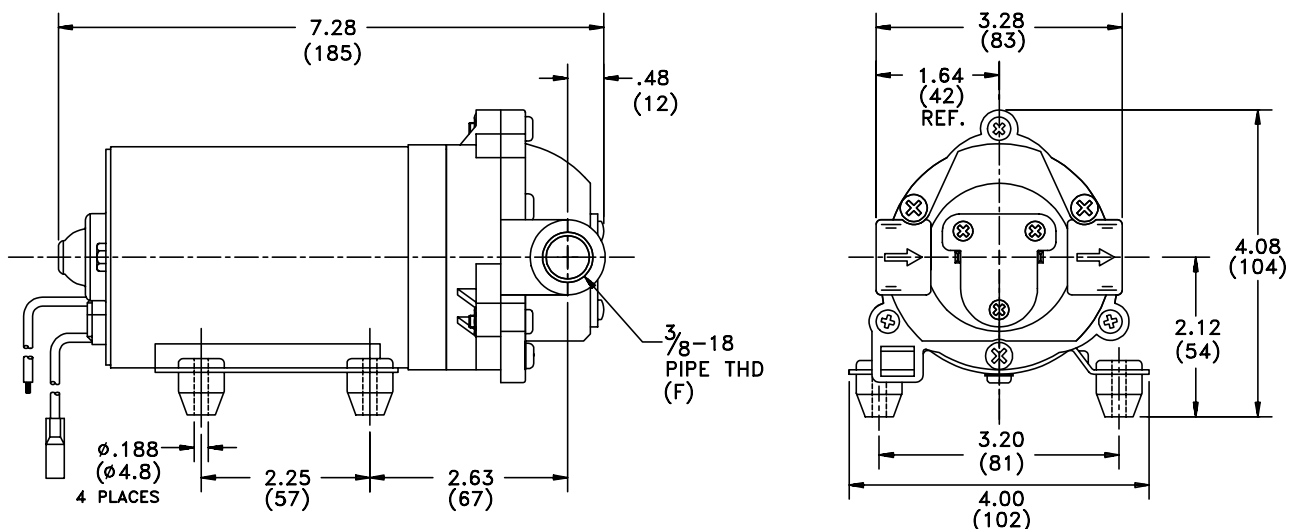
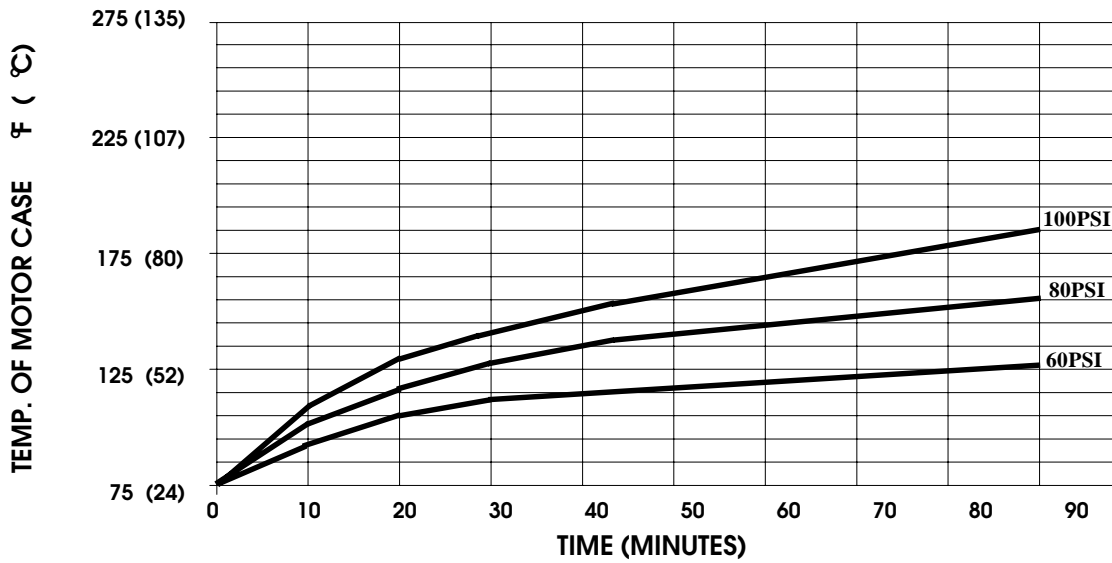
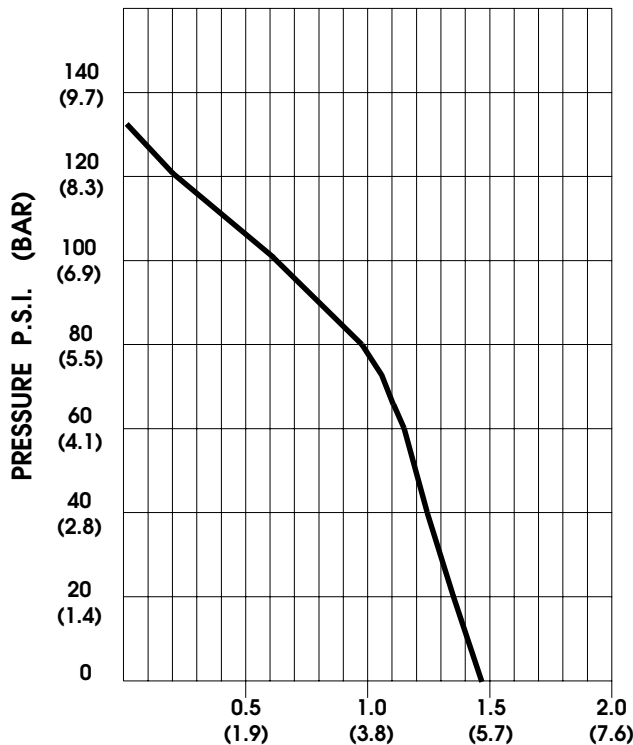


**PRODUCT DATA SHEET****MODEL: 8005-942-220****SPECIFICATIONS:****MODEL NUMBER:** 8005-942-220**PUMP DESIGN:** Positive Displacement 3 Chamber Diaphragm Pump**CAM:** 2.5 Degree**MOTOR:** Permanent Magnet, P/N 11-111-00**VOLTAGE:** 12VDC Nominal**PRESSURE SWITCH:** None**LIQUID TEMPERATURE:** 180 Degrees Fahrenheit (82 Degrees Centigrade) Max.**PRIME:** Self-Priming Up To 5 Ft. Vertical,
Max. Inlet Pressure 30 PSI (2.1 Bar)**PORTS:** 3/8"-18 NPT Female**MATERIAL OF CONSTRUCTION:****PLASTICS-** Nylon**VALVES-** EPDM**DIAPHRAGM-** Santoprene**FASTENERS-** Zinc Plated Steel**NET WEIGHT:** 4.0 Lbs (1.8 Kg)**DUTY CYCLE:** Continuous (See Temperature Rise Chart)**TYPICAL APPLICATIONS:** Delivery Pump**BYPASS:** 80 PSI**APPROVALS:** NSF Listed**DIMENSIONS:**

TEMPERATURE RISE



TYPICAL PERFORMANCE



PRESSURE (PSI)	FLOW (GPM/LIT)	RPM MIN/MAX	CURRENT (AMPS)	VOLTAGE (VOLTS)
OPEN	1.46/5.5	2385/2405	2.6	12VDC
10	1.40/5.3	2350/2375	3.0	"
20	1.35/5.1	2315/2335	3.6	"
30	1.29/4.9	2265/2290	4.3	"
40	1.24/4.7	2230/2255	4.9	"
50	1.19/4.5	2190/2210	5.5	"
60	1.15/4.3	2155/2170	6.0	"
70	1.07/4.0	2120/2135	6.6	"
80	0.97/3.7	2090/2100	7.2	"
90	0.81/3.1	2050/2060	7.7	"
100	0.62/2.3	2015/2030	8.2	"
120	0.21/0.8	1960/1965	9.2	"

FLOW - GALLONS PER MINUTE (LITERS PER MINUTE)

For technical advice or service please take your pump into your local pump service center.

To order pump or parts or for pricing please go to the following links :

[Shurflo Pumps Home >>](#)

[Shurflo Pumps stock list >>](#)