

**PRODUCT DATA SHEET**

MODEL: 8000-643-938

**SPECIFICATIONS:**

MODEL NUMBER: 8000-643-938

PUMP DESIGN: Positive Displacement 3 Chamber Diaphragm Pump

CAM: 3.0 Degree

MOTOR: Permanent Magnet, P/N 11-111-00

VOLTAGE: 12VDC Nominal

PRESSURE SWITCH: Adjustable Shut-Off (Range 80-100 PSI)

Factory Set @100 PSI, Turn On 85 PSI + 5 PSI

LIQUID TEMPERATURE: 180 Degrees Fahrenheit (82 Degrees Centigrade) Max.

PRIME: Self-Priming Up To 12.0 Ft. Vertical,

Max. Inlet Pressure 30 PSI (2.1 Bar)

PORTS: 3/8"-18 NPT, Female

MATERIAL OF CONSTRUCTION:

PLASTICS- Nylon

VALVES- Buna-n

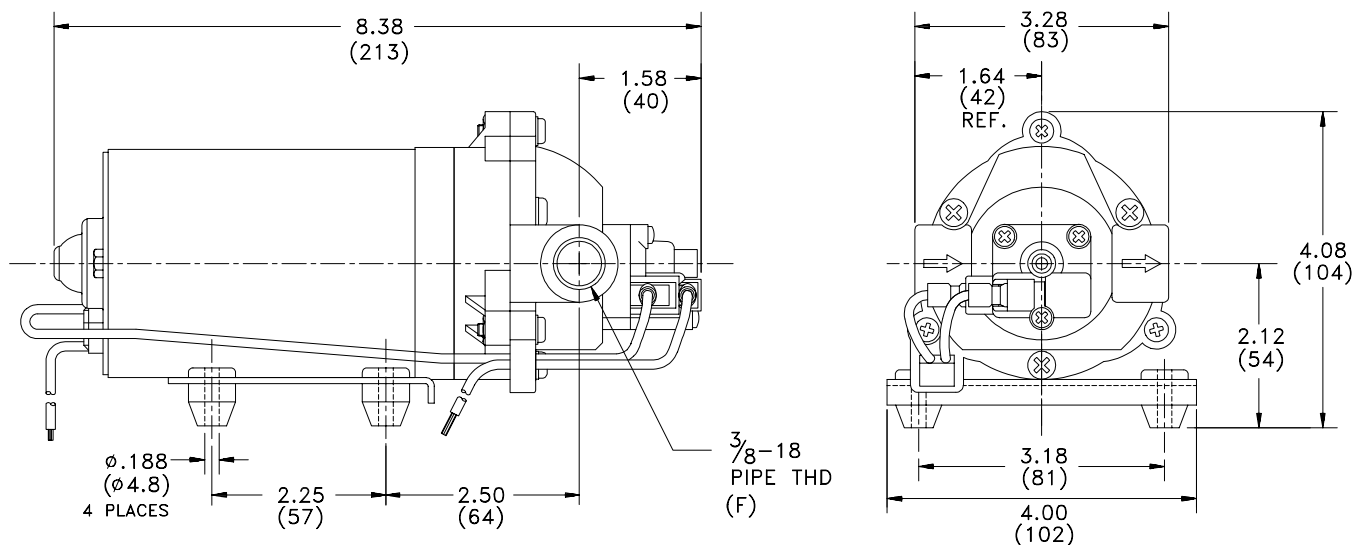
DIAPHRAGM- Geolast

FASTENERS- Zinc Plated Steel

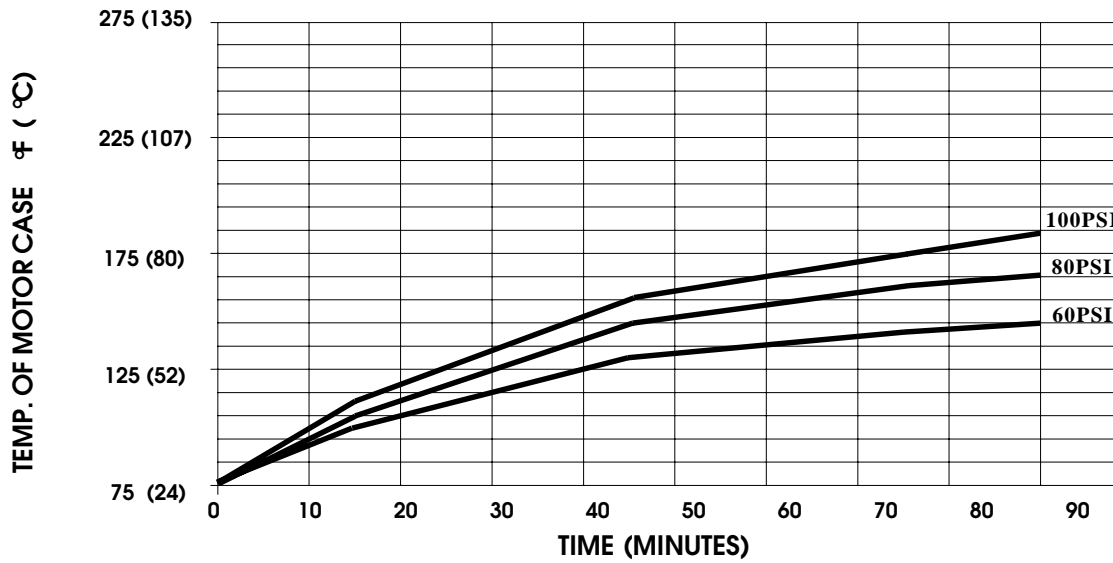
NET WEIGHT: 4.6 Lbs (2.1 Kg)

DUTY CYCLE: Intermittent (See Temperature Rise Chart)

TYPICAL APPLICATIONS: Soil Extraction

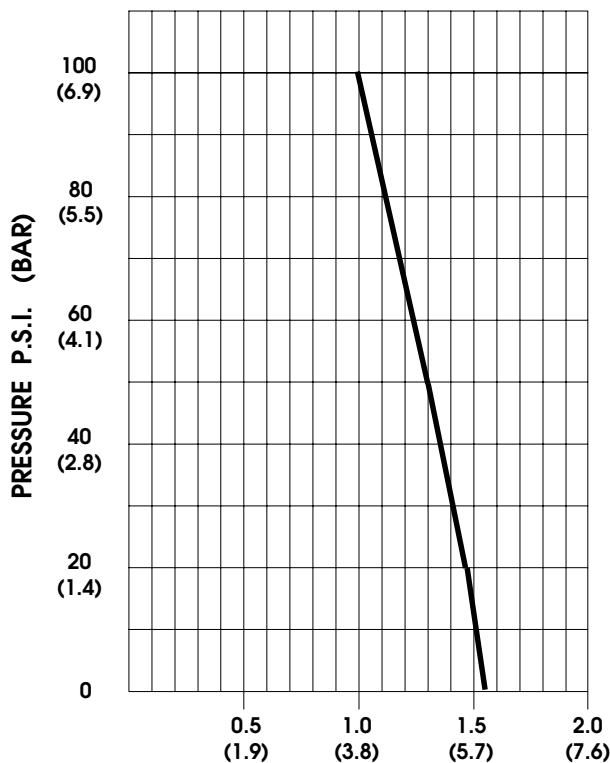
**DIMENSIONS:**

### TEMPERATURE RISE



THIS GRAPH IS FOR USE AS A DESIGN GUIDE. IT IS BASED ON RUNNING CONTINUOUSLY WITH AN AMBIENT TEMPERATURE OF 75 ° F IN STILL AIR.

### TYPICAL PERFORMANCE



PRESSURE (PSI)	FLOW (GPM/LIT)	RPM MIN/MAX	CURRENT (AMPS)	VOLTAGE (VOLTS)
OPEN	1.55/5.9	2237/2276	3.2	24 VDC
10	1.53/5.8	2208/2245	3.6	"
20	1.48/5.6	2175/2210	4.2	"
30	1.41/5.3	2125/2180	4.9	"
40	1.36/5.1	2090/2130	5.5	"
50	1.30/4.9	2050/2080	6.0	"
60	1.24/4.7	2005/2045	6.7	"
70	1.19/4.5	1965/1990	7.3	"
80	1.14/4.3	1915/1955	7.9	"
90	1.09/4.1	1875/1910	8.5	"
100	1.00/3.8	1845/1860	9.0	"

FLOW - GALLONS PER MINUTE (LITERS PER MINUTE)

-SPECIFICATIONS SUBJECT TO CHANGE WITHOUT NOTICE.

For technical advice or service please take your pump into your local pump service center.

To order pump or parts or for pricing please go to the following links :

[Shurflo Pumps Home >>](#)

[Shurflo Pumps stock list >>](#)