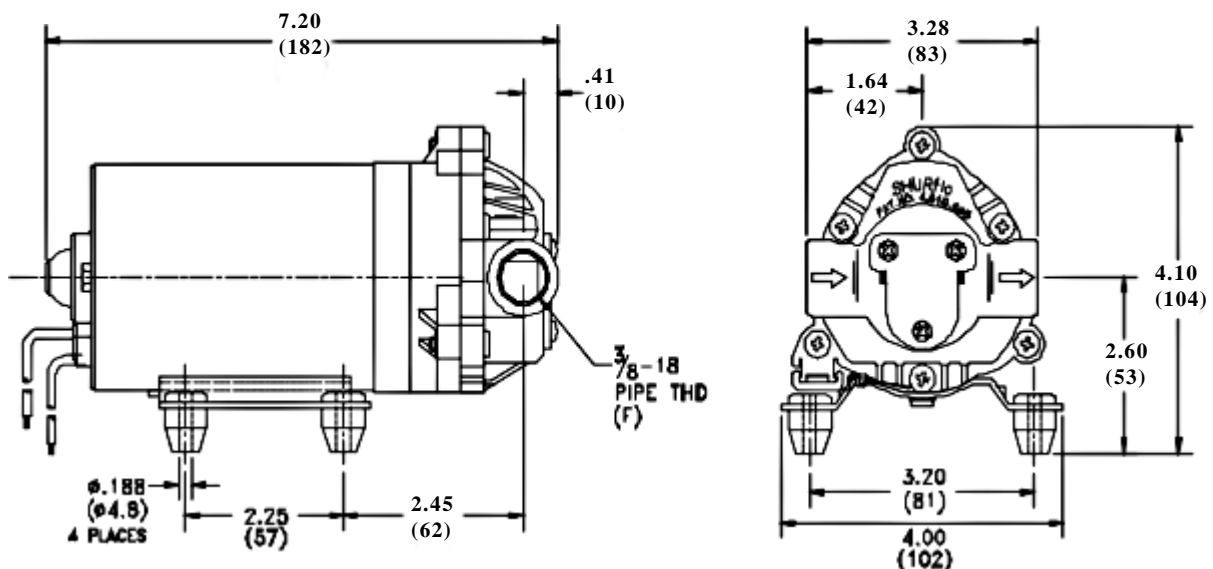
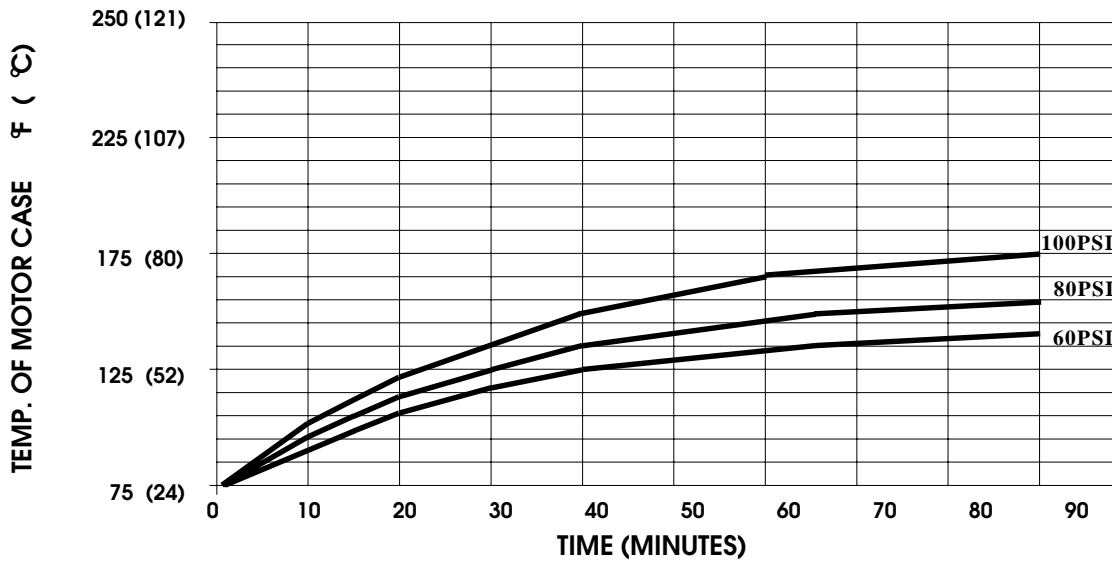


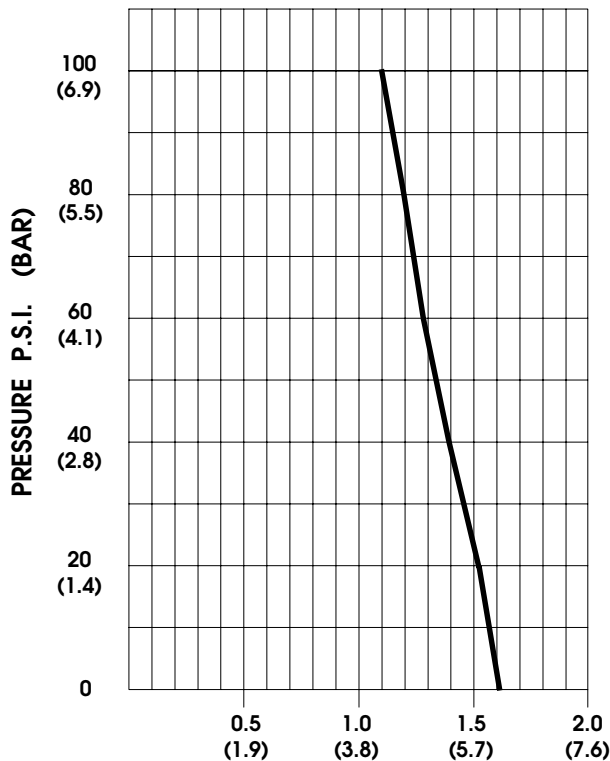
**PRODUCT DATA SHEET****MODEL: 8000-553-890****SPECIFICATIONS:****MODEL NUMBER:** 8000-553-890 (**Johnson Diversey**)**PUMP DESIGN:** Positive Displacement 3 Chamber Diaphragm Pump**CHECK VALVE:** (1-Way Operation) Prevents Reverse Flow**CAM:** 3.0 Degree**MOTOR:** Permanent Magnet, P/N 11-127-10**VOLTAGE:** 24 VDC Nominal**PRESSURE RATING:** No Control Do Not Exceed 100 PSI**LIQUID TEMPERATURE:** 180 Degrees Fahrenheit (82 Degrees Centigrade) Max.**PRIME:** Self-Priming Up To 9 Ft. Vertical,
Max. Inlet Pressure 30 PSI (2.1 Bar)**PORTS:** 1/2"-14 Male Parallel Thread**MATERIAL OF CONSTRUCTION:****PLASTICS-** Poly**VALVES-** Viton**DIAPHRAGM-** Santoprene**FASTENERS-** Zinc Plated Steel**NET WEIGHT:** 4.7 Lbs (2.13 Kg)**DUTY CYCLE:** Intermittent (See Temperature Rise Chart)**DIMENSIONS:**

TEMPERATURE RISE



THIS GRAPH IS FOR USE AS A DESIGN GUIDE. IT IS BASED ON RUNNING CONTINUOUSLY WITH AN AMBIENT TEMPERATURE OF 70° F IN STILL AIR.

TYPICAL PERFORMANCE



PRESSURE (PSI)	FLOW (GPM/LIT)	RPM MIN/MAX	CURRENT (AMPS)	VOLTAGE (VOLTS)
OPEN	1.58/6.0	2305/2320	1.8	24VDC
10	1.57/5.9	2280/2295	2.1	"
20	1.53/5.8	2240/2265	2.4	"
30	1.46/5.5	2200/2240	2.7	"
40	1.39/5.3	2145/2218	3.0	"
50	1.33/5.0	2115/2190	3.3	"
60	1.28/4.8	2090/2160	3.5	"
70	1.24/4.7	2065/2132	3.8	"
80	1.20/4.5	2030/2110	4.1	"
90	1.15/4.4	2000/2080	4.3	"
100	1.11/4.2	1970/2050	4.5	"

FLOW - GALLONS PER MINUTE (LITERS PER MINUTE)

For technical advice or service please take your pump into your local pump service center.

To order pump or parts or for pricing please go to the following links :

[Shurflo Pumps Home >>](#)

[Shurflo Pumps stock list >>](#)