

# SHURflo®

First in Fluid Innovation

## PRODUCT DATA SHEET

**MODEL: 8000-544-250**

### SPECIFICATIONS:

**MODEL NUMBER:** 8000-544-250

**PUMP DESIGN:** Positive Displacement 3 Chamber Diaphragm Pump

**CHECK VALVE:** (2-Way Op.) Prevents Reverse Flow 6 FT Head Forward Flow

**CAM:** 3.5 Degree

**MOTOR:** Permanent Magnet, P/N 11-111-00

**VOLTAGE:** 12 VDC Nominal

**PRESSURE SWITCH:** None

**LIQUID TEMPERATURE:** 170 Degrees Fahrenheit (77 Degrees Centigrade) Max.

**PRIME:** Self-Priming Up To 11 Ft. Vertical,  
Max. Inlet Pressure 30 PSI (2.1 Bar)

**PORTS:** 3/8"-18 NPT Female

**MATERIAL OF CONSTRUCTION:**

**PLASTICS-** Polypropylene

**VALVES-** Viton

**DIAPHRAGM-** Santoprene (STD)

**FASTENERS-** Cad or Zinc Plated Steel

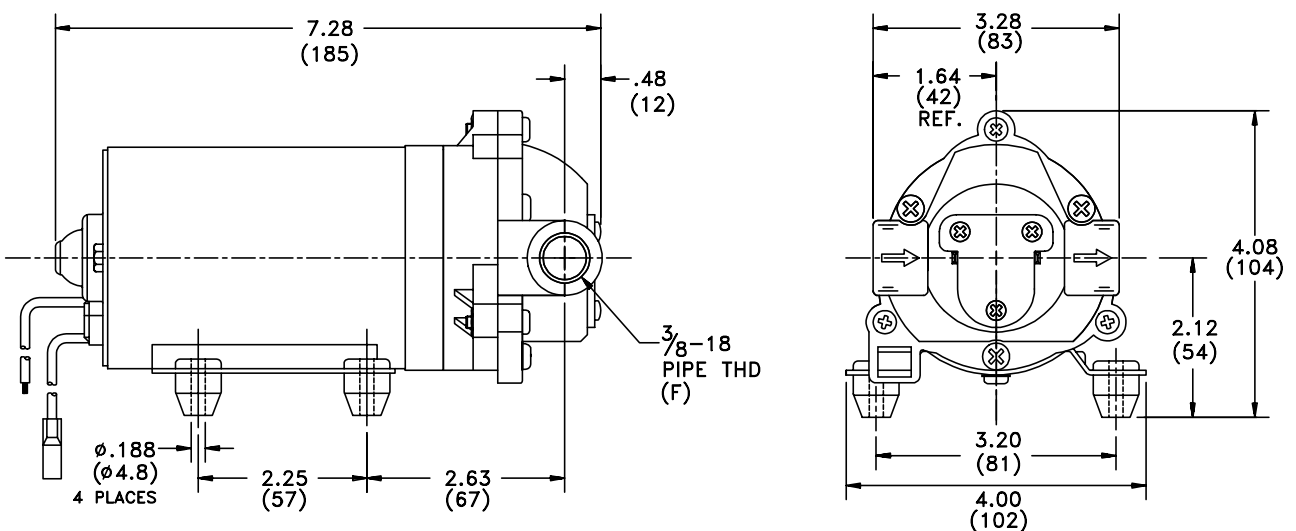
**NET WEIGHT:** 4.0 Lbs (1.8 Kg)

**DUTY CYCLE:** Continuous (See Temperature Rise Chart)

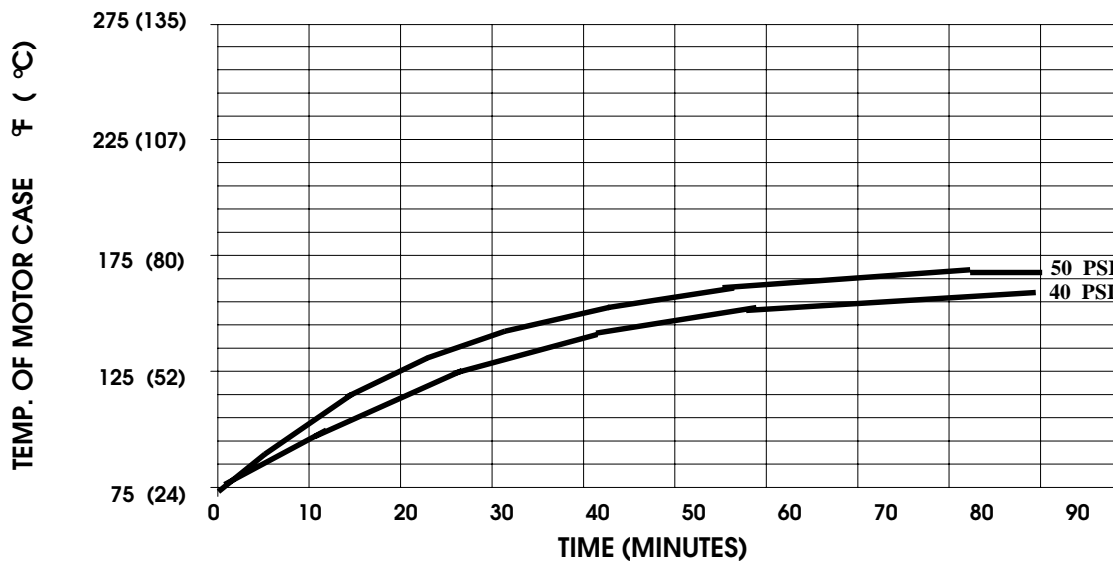
**TYPICAL APPLICATIONS:** Agricultural Spraying

**BYPASS:** 45 PSI

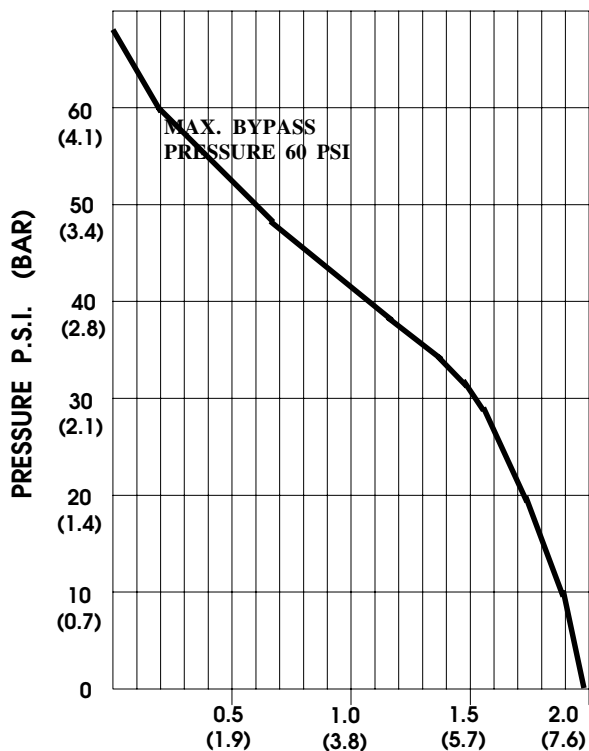
### DIMENSIONS:



### TEMPERATURE RISE



### TYPICAL PERFORMANCE



PRESSURE (PSI)	FLOW (GPM/LIT)	RPM MIN/MAX	CURRENT (AMPS)	VOLTAGE (VOLTS)
OPEN	2.1/7.9	2290/2345	5.0	12 VDC
10	1.95/7.4	2275/2335	5.5	"
20	1.75/6.2	2230/2300	6.3	"
30	1.45/5.4	2190/2255	7.0	"
40	.75/2.8	2165/2230	7.5	"
50	0.16/0.6	2140/2200	7.9	"

FLOW - GALLONS PER MINUTE (LITERS PER MINUTE)

-SPECIFICATIONS SUBJECT TO CHANGE WITHOUT NOTICE.

-ALL DATA BASED ON TESTING WITH WATER AT AMBIENT TEMPERATURE.

To order pumps or parts from this sheet, please call our Order Desk at 1-888-279-8384 or Fax : 941-827-9741.

For technical advice or service please take your pump into your local pump service center.

To ship your pump in for repair please call Phone : 1-888-279-8384 or Fax : 941-827-9741

For more information or pricing please go to the following links :

[Shurflo Pumps Home >>](#)  
[Shurflo Pumps stock list >>](#)