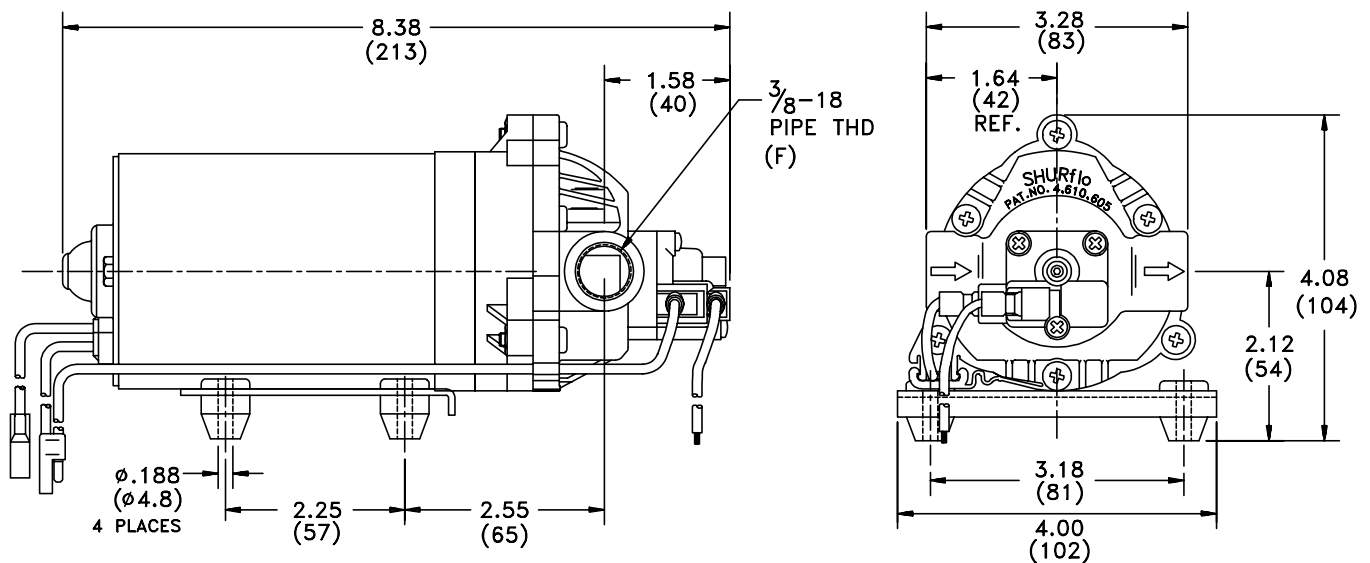
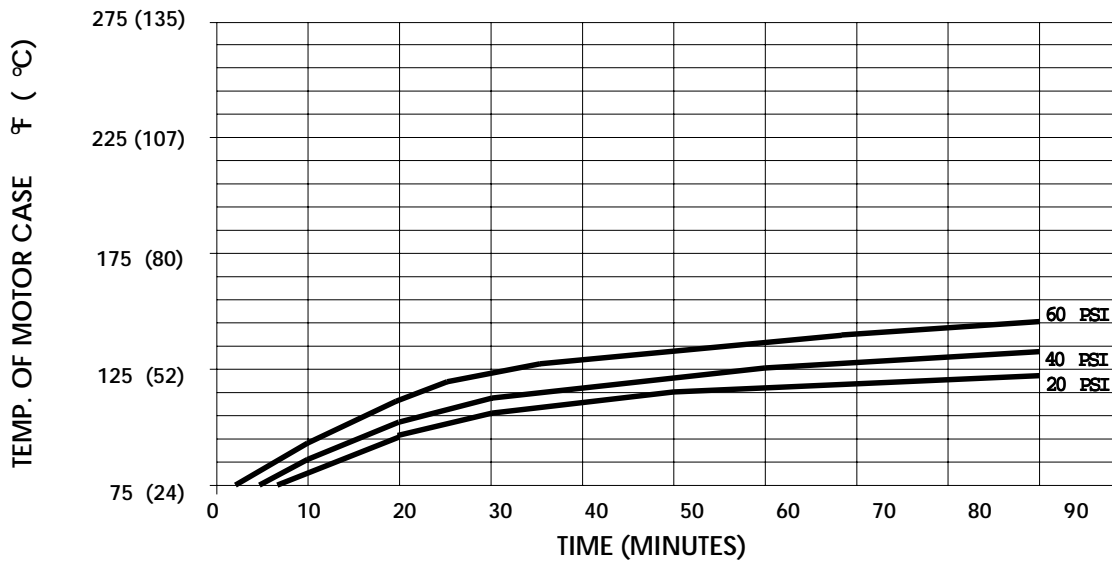


PRODUCT DATA SHEET**MODEL: 8000-543-936****SPECIFICATIONS:****MODEL NUMBER:** 8000-543-936**PUMP DESIGN:** Positive Displacement 3 Chamber Diaphragm Pump**CHECK VALVE:** (1-Way Operation) Prevents Reverse Flow**CAM:** 3.0 Degree**MOTOR:** Permanent Magnet, P/N 11-111-04 (with Special Connector)**VOLTAGE:** 12 VDC Nominal**PRESSURE SWITCH:** Adjustable Shut-Off (Range 40-60 PSI)

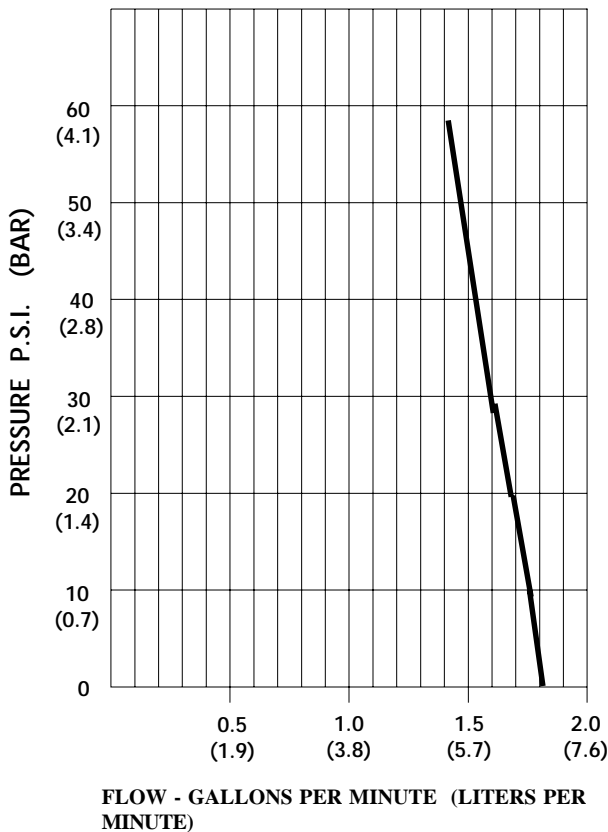
Factory Set @ 60 PSI, Turn On 45 PSI ± 5 PSI

LIQUID TEMPERATURE: 170 Degrees Fahrenheit (77 Degrees Centigrade) Max.**PRIME:** Self-Priming Up To 5 Ft. Vertical,
Max. Inlet Pressure 30 PSI (2.1 Bar)**PORTS:** 3/8"-18 NPT Female**MATERIAL OF CONSTRUCTION:****PLASTICS-** Polypropylene**VALVES-** Viton**DIAPHRAGM-** Santoprene**FASTENERS-** Zinc Plated Steel**NET WEIGHT:** 4.1 Lbs (1.9 Kg)**DUTY CYCLE:** Continuous (See Temperature Rise Chart)**TYPICAL APPLICATIONS:** Agricultural Spraying**DIMENSIONS:**

TEMPERATURE RISE



TYPICAL PERFORMANCE



PRESSURE (PSI)	FLOW (GPM/LIT)	RPM MIN/MAX	CURRENT (AMPS)	VOLTAGE (VOLTS)
OPEN	1.8/6.8	2300/2325	3.7	12VDC
10	1.31/4.9	2260/2290	4.4	"
20	1.26/4.7	2215/2240	5.0	"
30	1.20/4.5	2175/2190	5.7	"
40	1.14/4.3	2130/2145	6.2	"
50	1.08/4.1	2085/2095	6.8	"
60	1.02/3.9	2050/2065	7.3	"

For technical advice or service please take your pump into your local pump service center.

To order pump or parts or for pricing please go to the following links :

[Shurflo Pumps Home >>](#)

[Shurflo Pumps stock list >>](#)