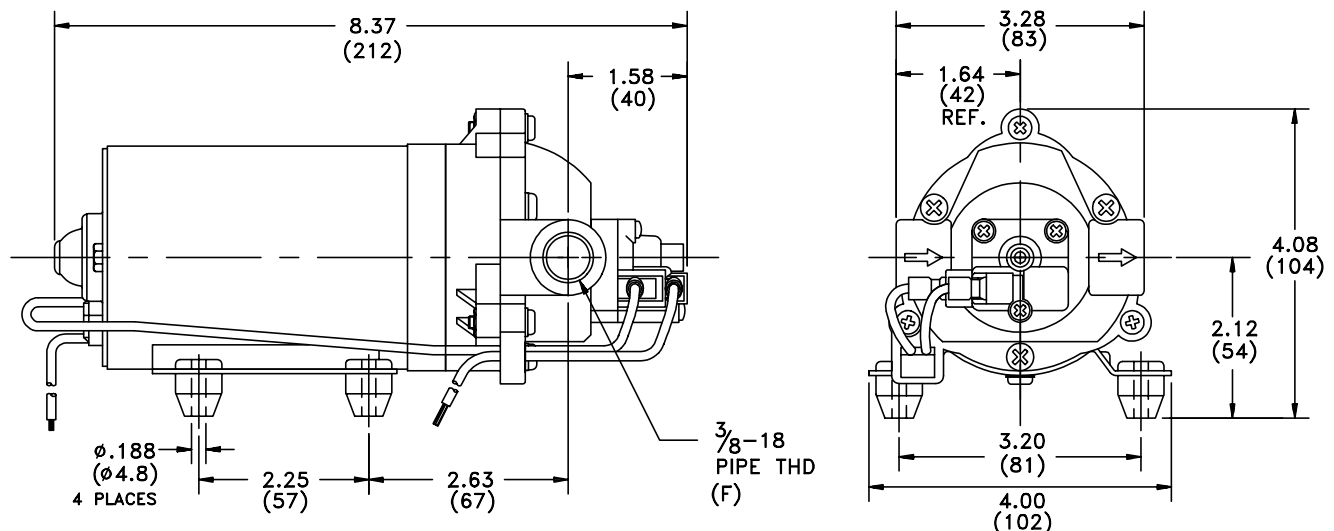


SHURflo[®]*First in Fluid Innovation***PRODUCT DATA SHEET****MODEL: 8000-253-835****SPECIFICATIONS:****MODEL NUMBER:** 8000-253-835**PUMP DESIGN:** Positive Displacement 3 Chamber Diaphragm Pump**CHECK VALVE:** (2-Way Op.) Prevents Reverse Flow & 6 Ft. Head Forward Flow**CAM:** 3.0 Degree**MOTOR:** Permanent Magnet, P/N 11-127-10**VOLTAGE:** 24 VDC Nominal**PRESSURE SWITCH:** Adjustable Shut-Off (Range 40-60 PSI)

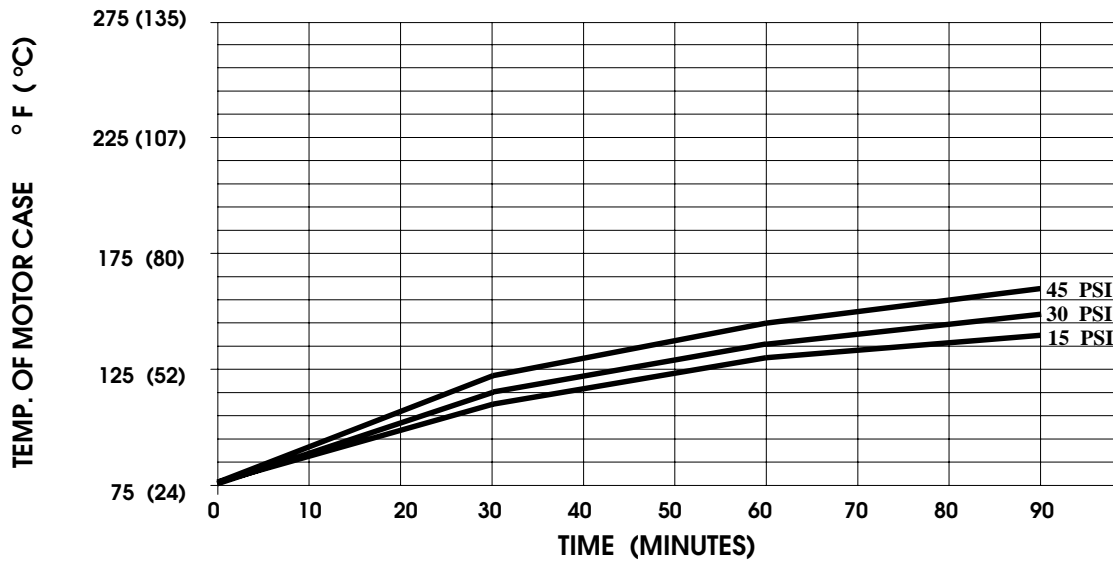
Factory Set @ 45 PSI, Turn On 32 PSI +/- 5 PSI

LIQUID TEMPERATURE: 170 Degrees Fahrenheit (77 Degrees Centigrade) Max.**PRIME:** Self-Priming Up To 7.5 Ft. Vertical,

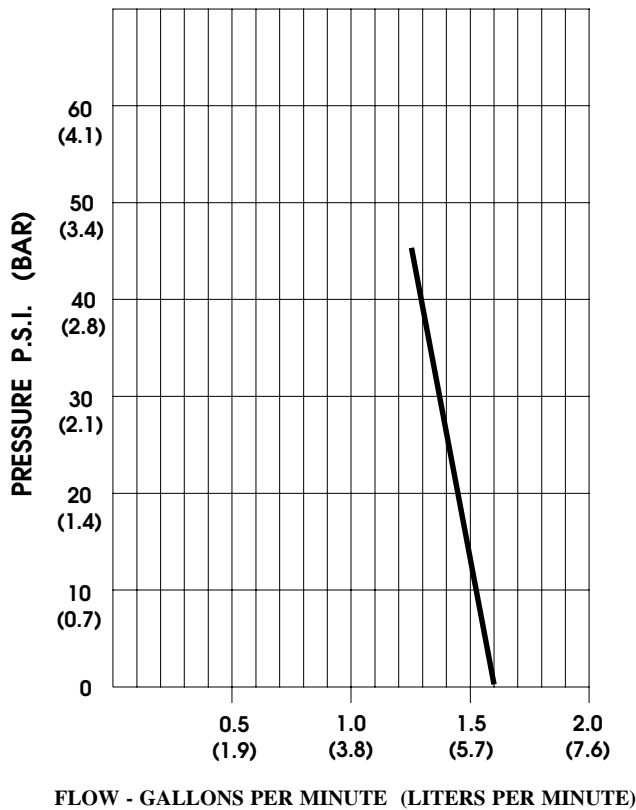
Max. Inlet Pressure 30 PSI (2.1 Bar)

PORTS: 3/8"-18 NPT Female**MATERIAL OF CONSTRUCTION:****PLASTICS-** Polypropylene**VALVES-** EPDM**DIAPHRAGM-** Santoprene (Solid)**FASTENERS-** Zinc Plated Steel**NET WEIGHT:** 4.6 Lbs (2.08 Kg)**DUTY CYCLE:** Continuous (See Temperature Rise Chart)**TYPICAL APPLICATIONS:** Potable Water**DIMENSIONS:**

TEMPERATURE RISE



TYPICAL PERFORMANCE



PRESSURE (PSI)	FLOW (GPM/LIT)	RPM MIN/MAX	CURRENT (AMPS)	VOLTAGE (VOLTS)
OPEN	1.60/6.0	2260/2275	1.7	24VDC
10	1.55/5.9	2225/2245	2.1	"
20	1.50/5.7	2195/2210	2.4	"
30	1.45/5.5	2160/2170	2.8	"
40	1.40/5.3	2135/2140	3.0	"

For technical advice or service please take your pump into your local pump service center.

To order pump or parts or for pricing please go to the following links :

[Shurflo Pumps Home >>](#)

[Shurflo Pumps stock list >>](#)