

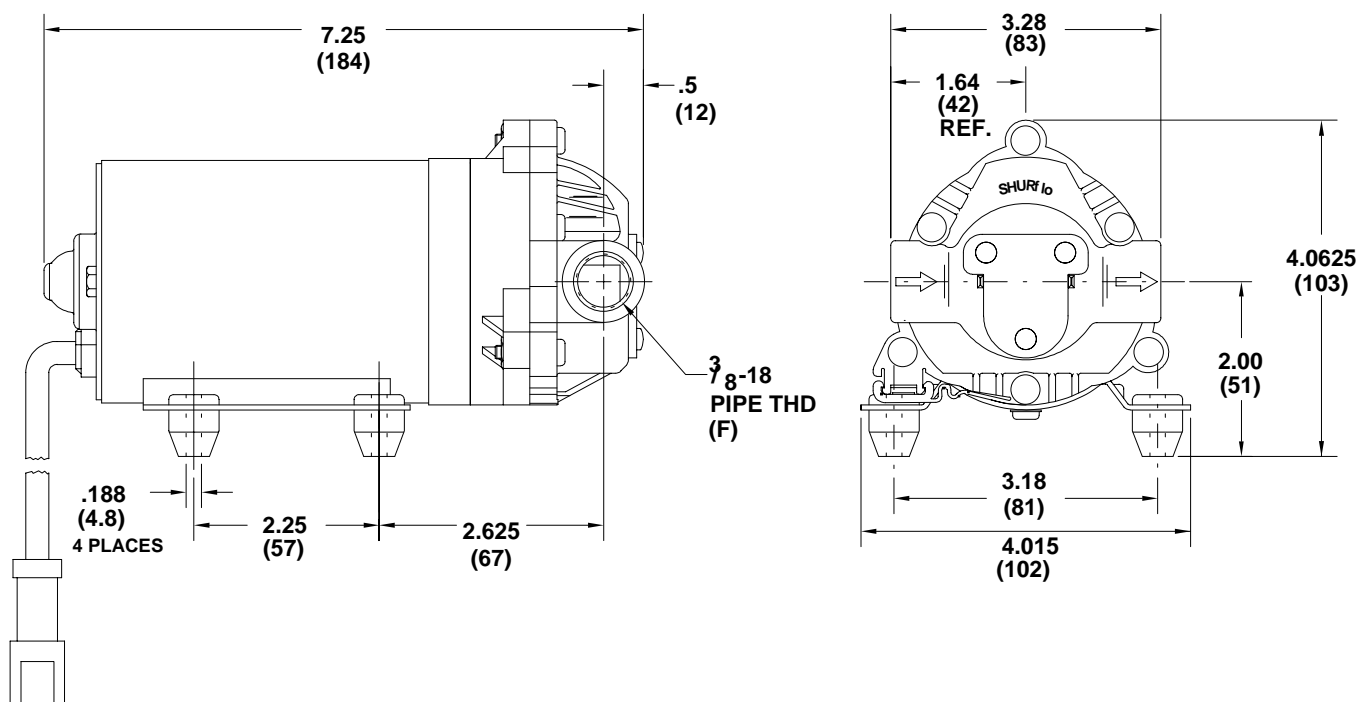
**SHURflo**<sup>®</sup>*First in Fluid Innovation***PRODUCT DATA SHEET****MODEL: 8000-043-210****SPECIFICATIONS:****MODEL NUMBER:** 8000-043-210**PUMP DESIGN:** Positive Displacement 3 Chamber Diaphragm Pump**CAM:** 3.0 Degree**MOTOR:** Permanent Magnet, P/N 11-173-00**VOLTAGE:** 12 VDC Nominal**PRESSURE SWITCH:** None**LIQUID TEMPERATURE:** 180 Degrees Fahrenheit (82 Degrees Centigrade) Max.**PRIME:** Self-Priming Up To 12 Ft. Vertical,  
Max. Inlet Pressure 30 PSI (2.1 Bar)**PORTS:** 3/8"-18 NPT Female**MATERIAL OF CONSTRUCTION:**

PLASTICS- Nylon

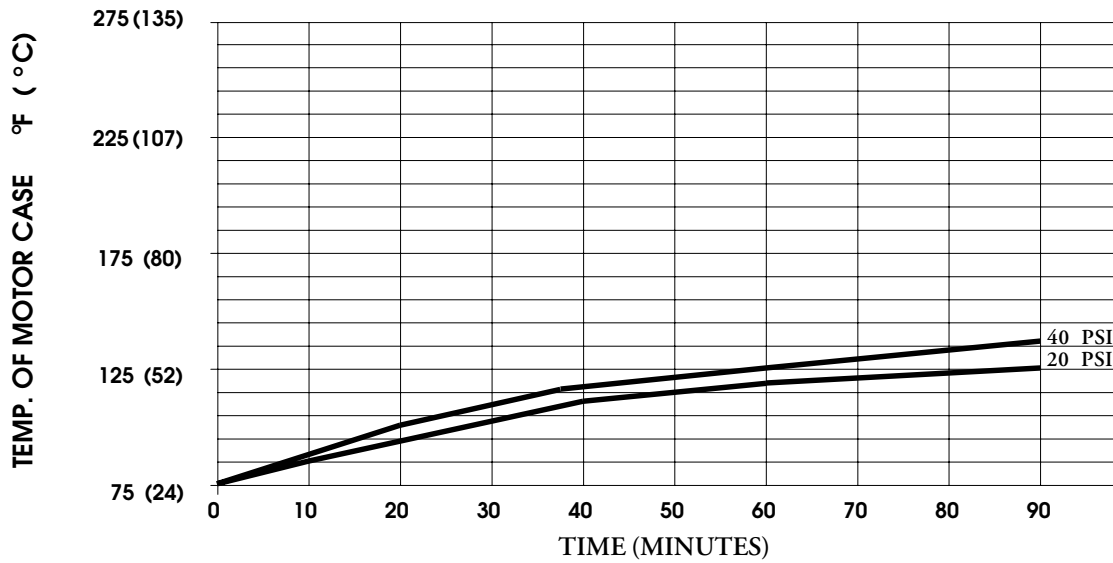
VALVES- Viton

DIAPHRAGM- Geolast (Main), Viton (Switch Chamber)

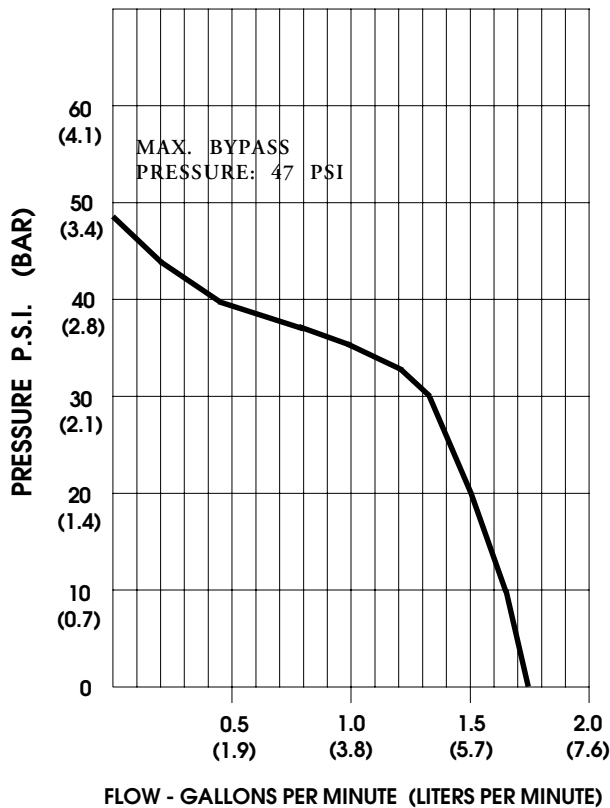
FASTENERS- Zinc Plated Steel

**NET WEIGHT:** 4.77 Lbs (2.1 Kg)**DUTY CYCLE:** Continuous (See Temperature Rise Chart)**TYPICAL APPLICATIONS:** Road Roller Equipment**BYPASS:** 35 PSI**DIMENSIONS:**

**TEMPERATURE RISE**



**TYPICAL PERFORMANCE**



PRESSURE (PSI)	FLOW (GPM/LIT)	RPM MIN/MAX	CURRENT (AMPS)	VOLTAGE (VOLTS)
OPEN	1.72/6.5	2170/2250	3.2	12 VDC
10	1.65/6.2	2120/2190	3.6	"
20	1.51/5.7	2035/2120	4.3	"
30	1.33/5.0	1980/2005	5.0	"
40	0.45/1.7	1920/1940	5.6	"

-SPECIFICATIONS SUBJECT TO CHANGE WITHOUT NOTICE.

-ALL DATA BASED ON TESTING WITH WATER AT AMBIENT TEMPERATURE.

For technical advice or service please take your pump into your local pump service center.

To order pump or parts or for pricing please go to the following links :

[Shurflo Pumps Home >>](#)

[Shurflo Pumps stock list >>](#)