

**MODEL: 4111-035**

### SPECIFICATIONS:

**MODEL NUMBER:** 4111-035

**PUMP DESIGN:** Positive Displacement 3 Chamber Diaphragm Pump

**CHECK VALVE:** (1-Way Operation) Prevents Reverse Flow

**CAM:** 3.0 Degree

**MOTOR:** Permanent Magnet, P/N 11-253-06

**VOLTAGE:** 12 VDC Nominal

**PRESSURE SWITCH:** Splash Proof, Adjustable from 30 to 45 PSI (2.1 - 3.1 Bar).

 Factory Set @ 42 PSI (2.9 Bar) Shut-Off; Turn-On 32 PSI  $\pm$ 5 PSI (2.2  $\pm$  .35 Bar)

**LIQUID TEMPERATURE:** 130 Degrees Fahrenheit (54°Centigrade) Max.

**PRIME:** Self-Priming Up To 7 Ft. (2.1 Meters) Vertical,  
 Max. Inlet Pressure 30 PSI (2.1 Bar)

**PORTS:** 1/2"-14 Male Parallel Thread and 5/8" Manifolds (shown).

**MATERIAL OF CONSTRUCTION:**
**PLASTICS-** Polypropylene

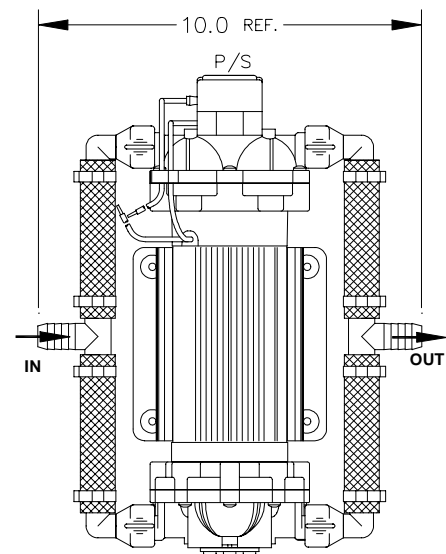
**VALVES-** Viton

**DIAPHRAGM-** Santoprene

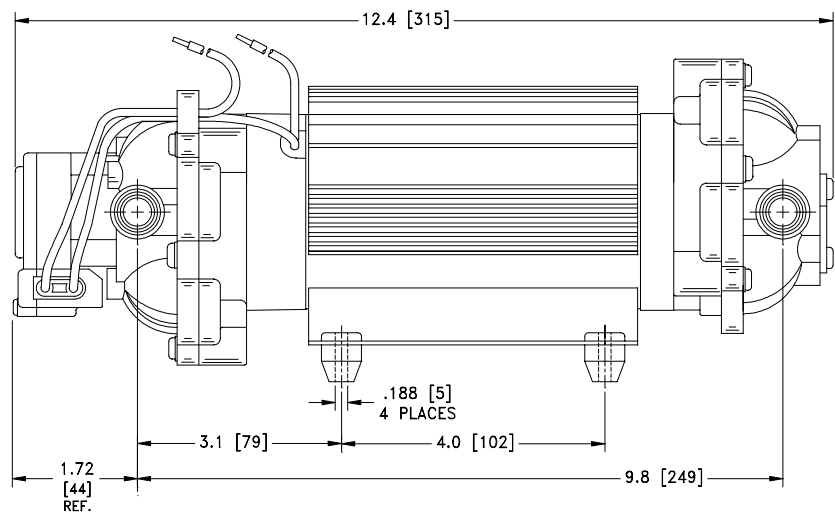
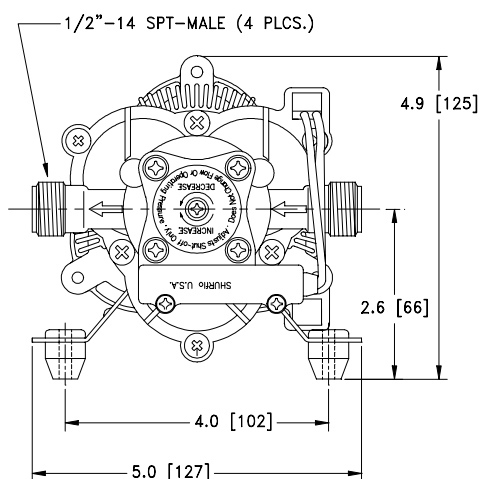
**FASTENERS-** Stainless Steel

**NET WEIGHT:** 7.89 Lbs (3.58 Kg)

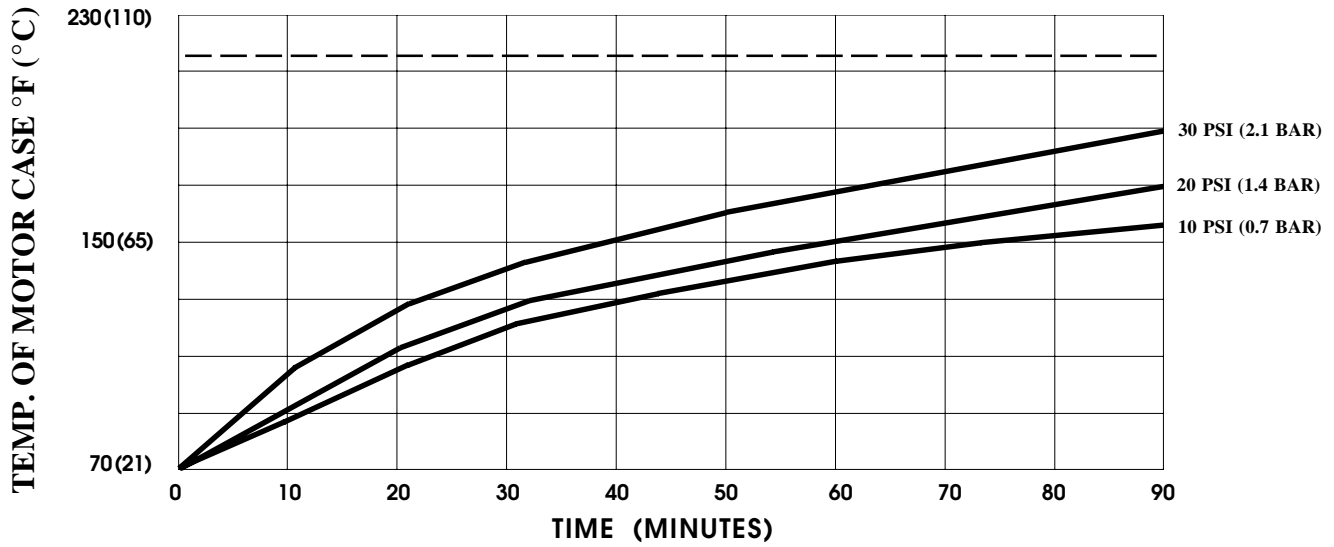
**DUTY CYCLE:** Intermittent (See Temperature Rise Chart)

**TYPICAL APPLICATIONS:** Agricultural Transfer/Sprayer


### DIMENSIONS:

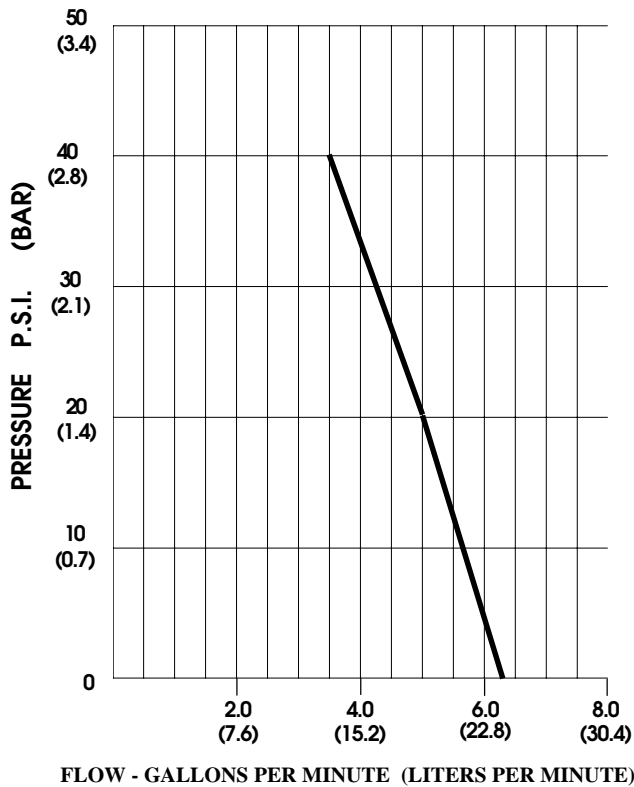
 Shown with manifolds  
 removed Inches (mm)


### TEMPERATURE RISE



THIS GRAPH IS FOR USE AS A DESIGN GUIDE. IT IS BASED ON RUNNING CONTINUOUSLY WITH AN AMBIENT TEMPERATURE OF 70°F (21°C) IN STILL AIR. --- OPERATIONAL LIMIT.

### TYPICAL PERFORMANCE



PRESSURE (PSI/BAR)	FLOW (GPM/LIT)	CURRENT (AMPS)	VOLTAGE (VOLTS)
OPEN	6.25/23.5	8.7	12 VDC
10/0.7	5.7/21.6	12.2	"
20/1.4	5.0/19.0	14.5	"
30/2.1	4.3/16.2	16.1	"
40/2.8	3.5/13.2	17.2	"

-SPECIFICATIONS SUBJECT TO CHANGE WITHOUT NOTICE.

ALL DATA BASED ON TESTING WITH WATER

For technical advice or service please take your pump into your local pump service center.

To order pump or parts or for pricing please go to the following links :

[Shurflo Pumps Home >>](#)

[Shurflo Pumps stock list >>](#)