



MARINE PRODUCT DATA SHEET

OEM: 277-4100 (4" Blower)
AFTERMARKET: 277-4110 (4" Blower)

SHURflo has developed a unique nylon fan that includes 6 blades to ensure high performance and efficient ventilation. Installation of the Yellowtail™ Blower is made easy with extended barbs and slotted mounting bracket.

TYPICAL APPLICATIONS

Ventilation for engine compartments, bilges, galleys and head closets. For other applications contact SHURflo

BLOWER

Type: In-line Blower
Port (Output): 4" Barb
Port (Inlet): 4" Barb
Fan: 6 Blade

ELECTRICAL

Motor: 12VDC Permanent Magnet
Protection: External Fuse (Not supplied)
Leads: 12 In (0.3M) Tinned Wire
Fuse: 7 Amp Recommended
Control: No Control

MATERIALS

Housing: ABS Plastic
Fan: Nylon 6/6 30% Glass Filled

APPROVALS

ISO 9097 Marine, Ignition Protected, CE, USCG
183.410 Compliant, NMMA Type Accepted, ABYC

WARRANTY

3 Year Limited Warranty
See SB-1050 For Full Warranty Details

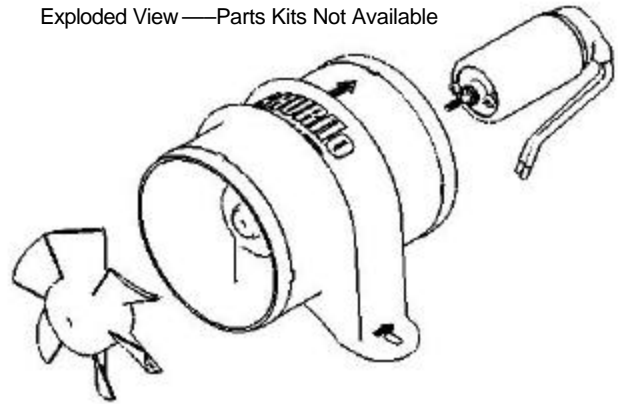
SHIPPING

Net Weight: 0.87 Lb [0.39 Kg] each
Carton Weight: 27 Lb [12.25 Kg]
Blowers in carton: 24
Carton Size: 24"L x 18 "W x 11"H [60.9 cm x 45.7 cm x 27.9 cm]

RELATED DOCUMENTS

Catalog: MS-030-140
Installation Manual: 911-723
Maintenance: 911-723
Applications Spec Guide: MS-020-005
Warranty: SB-1050

Exploded View — Parts Kits Not Available

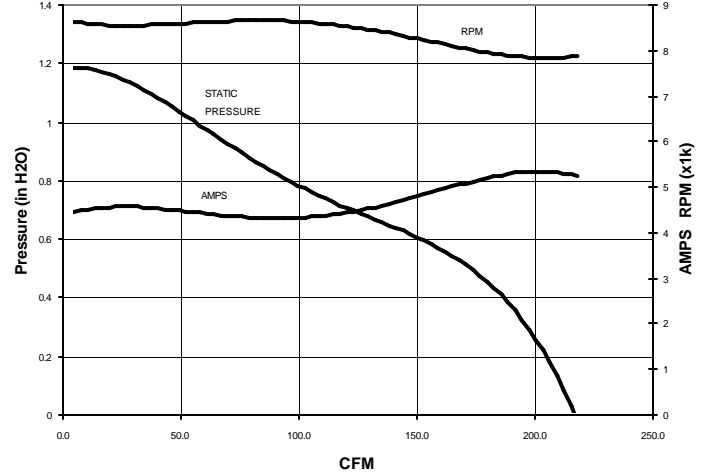
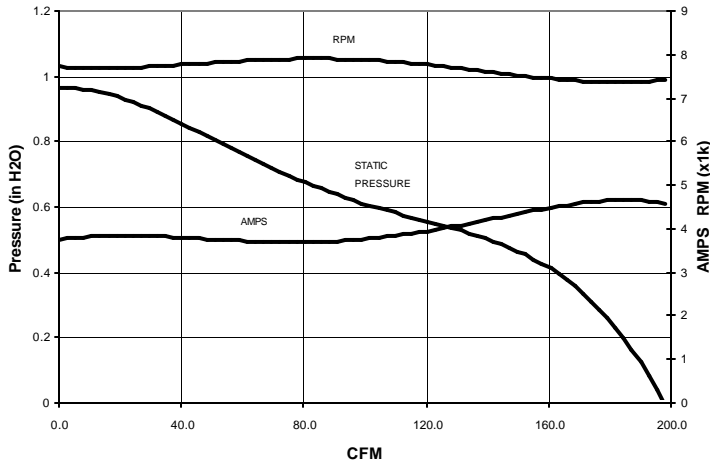


Performance at Nominal Voltage 12 DVC

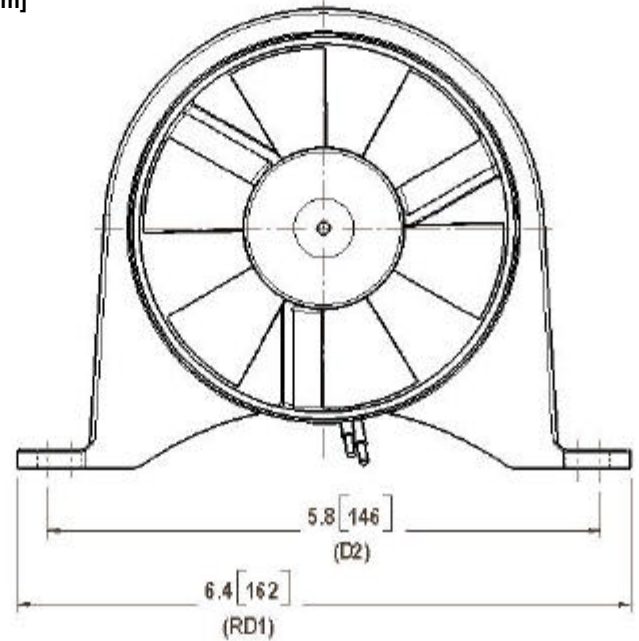
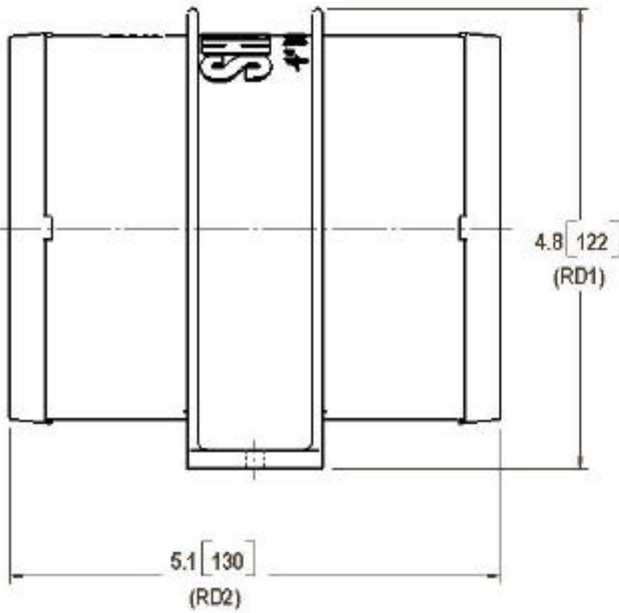
Performance at Rated Voltage (113.3%) 13.6 DVC

4" Blower Model Series 277-4XXX 12 VDC

4" Blower Model Series 277-4XXX 13.6 VDC



DIMENSIONS [mm]



For technical advice or service please take your pump into your local pump service center.

To order pump or parts or for pricing please go to the following links :

[Shurflo Pumps Home >>](#)

[Shurflo Pumps stock list >>](#)