

**MARINE PRODUCT DATA SHEET**

OEM

2095-232-244

AFTERMARKET

2095-232-344

**The Blaster****TYPICAL APPLICATIONS**

Marine fresh or saltwater wash down installations. Other uses may include 12 VDC pressurized water systems. This pump may be used for general water transfer. For other applications, contact SHURflo.

**PUMP**

Type: 3 Chamber Diaphragm  
 Ports: 1/2"-14 NPSM-Male  
 Liquid: 130 °F [54 °C] Max  
 Prime: 6 feet [1.82 M]  
 Inlet PSI: 30 PSI [2.1 Bar] Max  
 Run Dry: Yes

**ELECTRICAL**

Motor: 12VDC Permanent Magnet, Intermittent Duty  
 Protection: Thermal Overload, Automatic Restart  
 Leads: 16 AWG, 16" [40 cm] Red +, 13" [33 cm] Black -  
 Fuse: 15 Amp Recommended  
 Control: Adjustable Switch with Check Valve  
 Shut-Off 45 PSI [3.1 Bar] ± 5 PSI [0.4 Bar]  
 Restart 25 PSI [1.8 Bar] ± 5 PSI [0.4 Bar]

**MATERIALS**

Housing: Polypropylene  
 Valves: EDPM  
 Diaphragm: Santoprene  
 Hardware: Stainless Steel

**APPROVALS**

UL Marine 1113, Ignition Protected, ISO 8846,  
 CE, c-UL Meets or exceeds UL 1500 Ignition  
 Protection.

**WARRANTY**

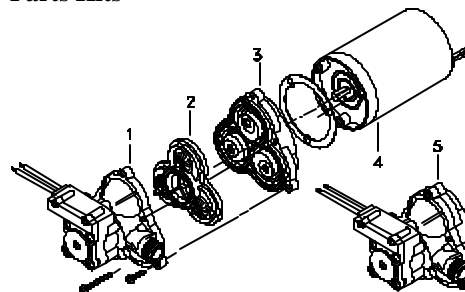
1 Year Limited Warranty  
 See SB-1050 For Full Warranty Details

**SHIPPING**

Net Weight (Boxed): 5.3 Lb [2.4Kg] each  
 Carton Weight: 12 each, 64 Lb [29 Kg]  
 Carton Size: 24"L x 18"W x 11"H  
 [61cm x 46cm x 28cm]

**RELATED DOCUMENTS**

Catalog: MS-030-084  
 Installation Manual: 911-444  
 Maintenance: 911-444  
 Applications Spec Guide: MS-020-005  
 Warranty: SB-1050

**Parts Kits**

Number	Component	Parts Kit
1	Housing/Switch	94-231-10
2	Valve Assembly	94-232-06
3	Drive Assembly	94-238-03
4	Motor	11-173-12
5	Pump Head	94-236-14
Not Shown	Check Valve	94-237-00



# MARINE PRODUCT DATA SHEET

OEM

2095-232-244

AFTERMARKET

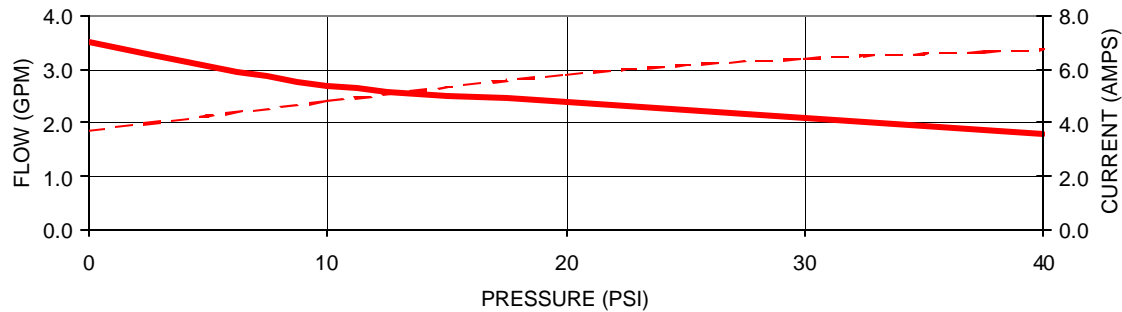
2095-232-344



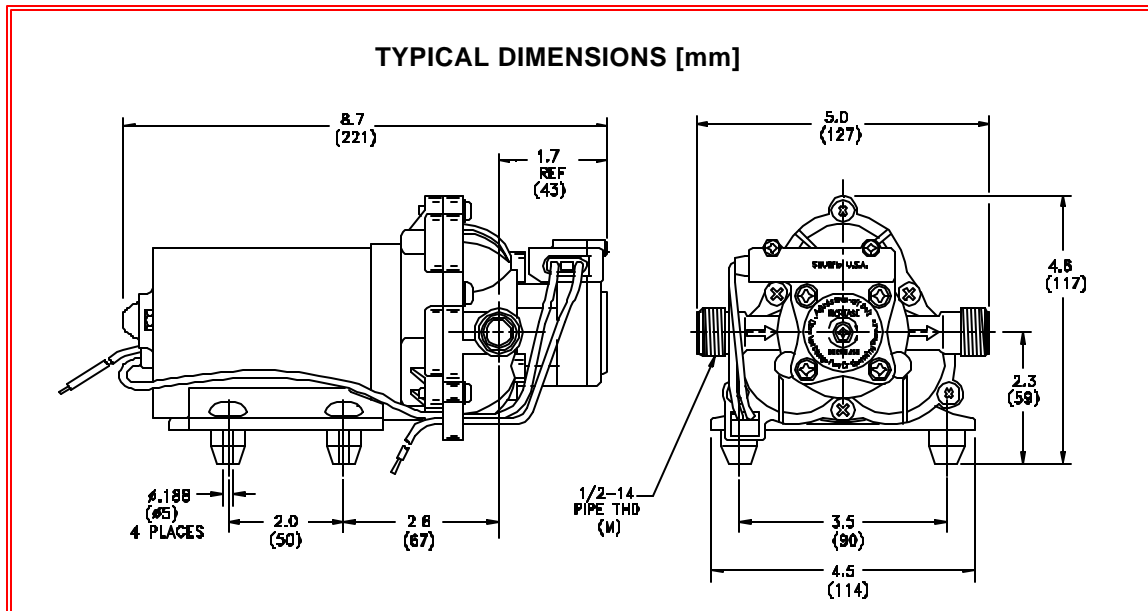
## TYPICAL PERFORMANCE @ 12V DC

PRESSURE		FLOW		CURRENT
BAR	PSI	GPM	LPM	AMPS
0.0	0	3.5	13.2	3.7
0.7	10	2.7	10.2	4.8
1.4	20	2.4	9.0	5.8
2.1	30	2.1	7.9	6.4
2.8	40	1.8	6.8	6.7

— FLOW - - - AMPS



## TYPICAL DIMENSIONS [mm]



\*ISO Registered Facility

PumpAgents.com - buy pumps and parts online

SHURflo reserves the right to update specifications, prices, or make substitutions.



For technical advice or service please take your pump into your local pump service center.

To order pump or parts or for pricing please go to the following links :

[Shurflo Pumps Home >>](#)

[Shurflo Pumps stock list >>](#)