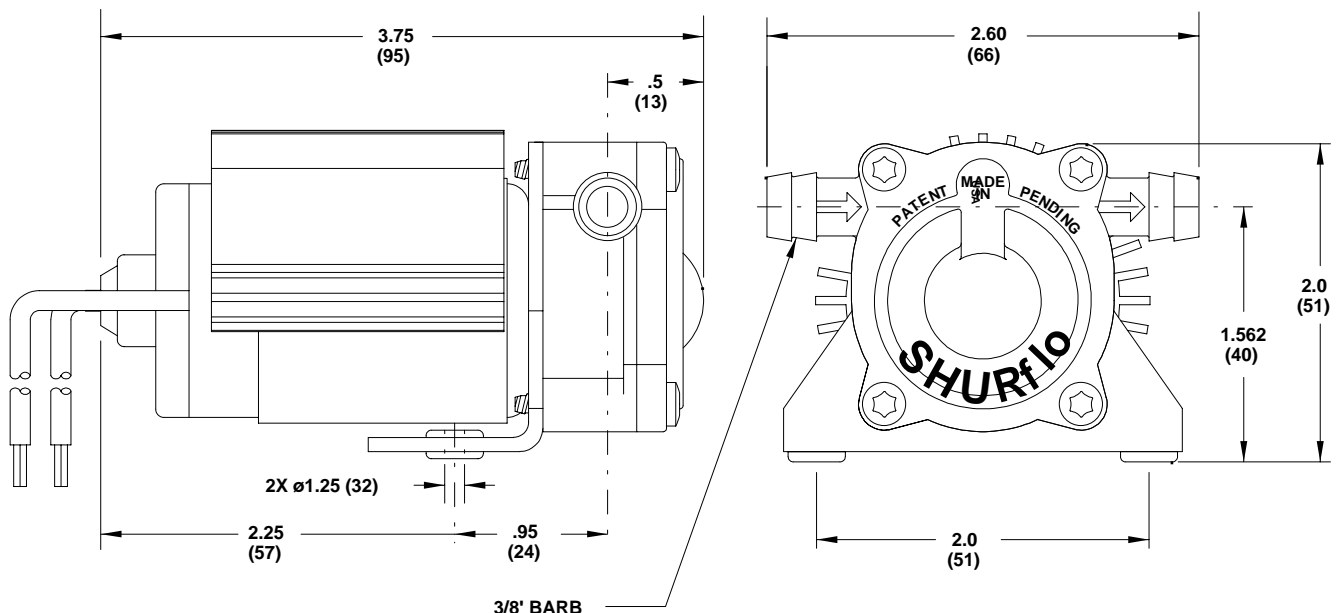
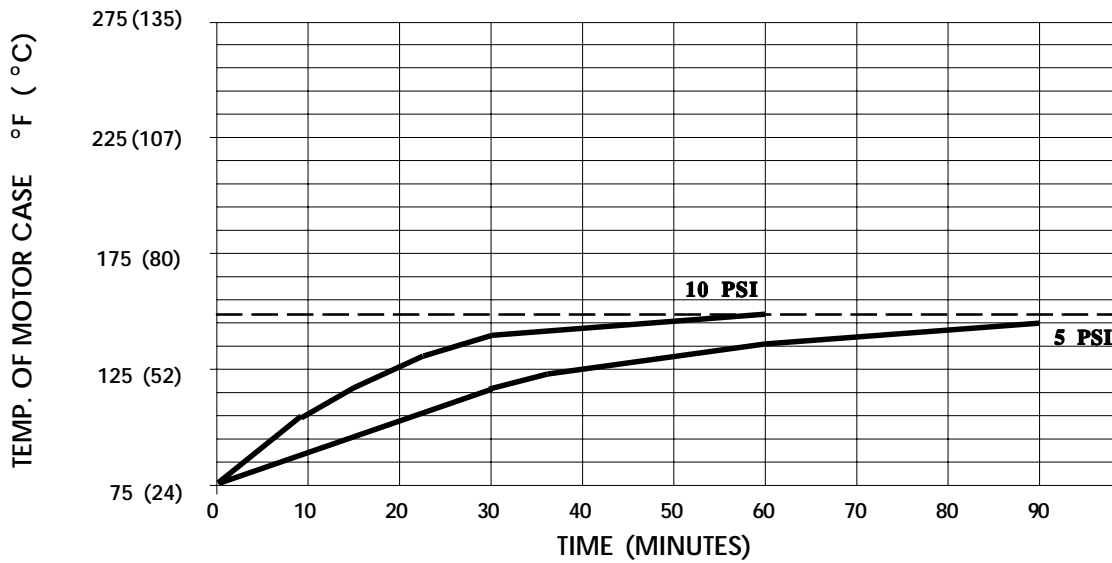


**SHURflo**<sup>®</sup>*First in Fluid Innovation***PRODUCT DATA SHEET****MODEL: 100-000-25****SPECIFICATIONS:****MODEL NUMBER:** 100-000-25**PUMP DESIGN:** Positive Displacement Wobbler Pump**MOTOR:** Permanent Magnet, P/N 11-144-07**VOLTAGE:** 12VDC Nominal**LIQUID TEMPERATURE:** 130 Degrees Fahrenheit Max.**PRIME:** Self-Priming Up To 4 in. Vertical,  
Max. Inlet Pressure 30 PSI (2.1 Bar)**PORTS:** 3/8" Barb**MATERIAL OF CONSTRUCTION:****PLASTICS-** Polyphenylene Sulfide**ELASTOMERS-** Nitrile-Butadiene**FASTENERS-** Stainless Steel**NET WEIGHT:** .75 Lbs (34g)**DUTY CYCLE:** Intermittent (See Temperature Rise Chart)**TYPICAL APPLICATIONS:** ATF/Power Steering Fluid Transfer Pump**DIMENSIONS:**

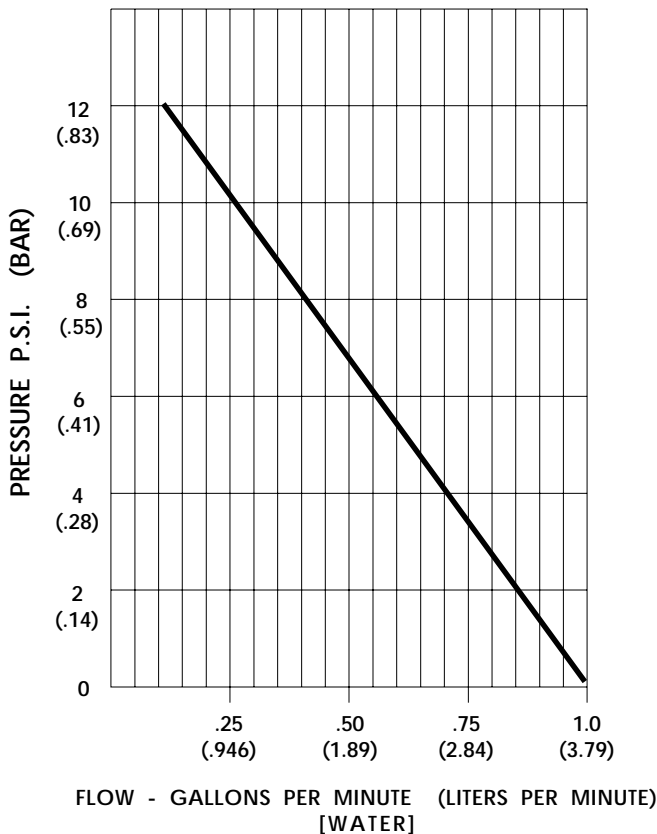
**TEMPERATURE RISE**



THIS GRAPH IS FOR USE AS A DESIGN GUIDE. IT IS BASED ON RUNNING CONTINUOUSLY WITH AN AMBIENT TEMPERATURE OF 70 °F IN STILL AIR. THE THERMAL BREAKER WILL OPEN WHEN THE CASE TEMPERATURE REACHES 140 °F.

[ - - - - - TRIP POINT OF THERMAL PROTECTOR ]

**TYPICAL PERFORMANCE**



PRESSURE (PSI)	FLOW (GPM/LIT)	CURRENT (AMPS)	VOLTAGE (VOLTS)
2	<b>0.87/3.3</b>	<b>1.3</b>	<b>12VDC</b>
4	<b>0.71/2.7</b>	<b>1.4</b>	"
6	<b>0.57/2.2</b>	<b>1.5</b>	"
8	<b>0.41/1.6</b>	<b>1.6</b>	"
10	<b>0.27/1.0</b>	<b>1.8</b>	"
12	<b>0.11/0.4</b>	<b>1.9</b>	"

-SPECIFICATIONS SUBJECT TO CHANGE WITHOUT NOTICE.

For technical advice or service please take your pump into your local pump service center.

To order pump or parts or for pricing please go to the following links :

[Shurflo Pumps Home >>](#)

[Shurflo Pumps stock list >>](#)