

INSTRUCTIONS & REPAIR PARTS FOR 893 MODELS

Pump with Brush D.C. Motor

MODEL NO.	H.P.	ELECTRICAL			CONNECTIONS		G.P.H AT LISTED HEAD					HEAD MAX.	P.S.I. GAGE	DIMENSIONS			PACK WT.
		Volts	Amps	Watts	Inlet	Outlet	1 Ft.	3 Ft.	5 Ft.	6 Ft.	11 Ft.			Ht.	Wd.	Lg.	
893-03	1/150	12	1	12	3/8 FPT	3/8 OD	167	143	118	105	0	11 Ft.	4.8	2.59	2.81	5.13	1.0
893-04																	1.2
893-05		24	.5														1.0
893-06																	1.2



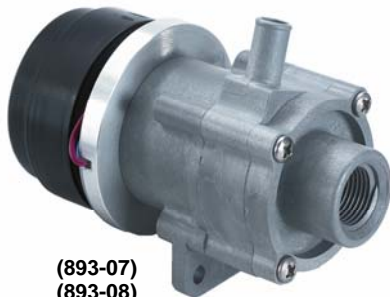
(893-03)
(893-05)
NON-SUBMERSIBLE



(893-04)
(893-06)
SUBMERSIBLE

Pump with Brushless D.C. Motor

MODEL NO.	H.P.	ELECTRICAL			CONNECTIONS		G.P.H AT LISTED HEAD					HEAD MAX.	P.S.I. GAGE	DIMENSIONS			PACK WT.
		Volts	Amps	Watts	Inlet	Outlet	1 Ft.	3 Ft.	5 Ft.	6 Ft.	11 Ft.			Ht.	Wd.	Lg.	
893-07	1/150	12	1	12	3/8 FPT	3/8 OD	167	143	118	105	0	11 Ft.	4.8	2.97	2.38	4.47	1.0
893-08																	24
893-09		12	1														1.0
893-10																	24



(893-07)
(893-08)
NON-SUBMERSIBLE

ELECTRICAL CONNECTIONS

Brushless Motors must be operated within a restricted voltage range due to the electronics in the motor.

12 V.D.C. + 2 Volts, - 5 Volts
24 V.D.C. + 4 Volts, - 12 Volts
The Red Lead is Positive.
The Blue Lead is Negative.



(893-09)
(893-10)
SUBMERSIBLE
OR OPEN AIR

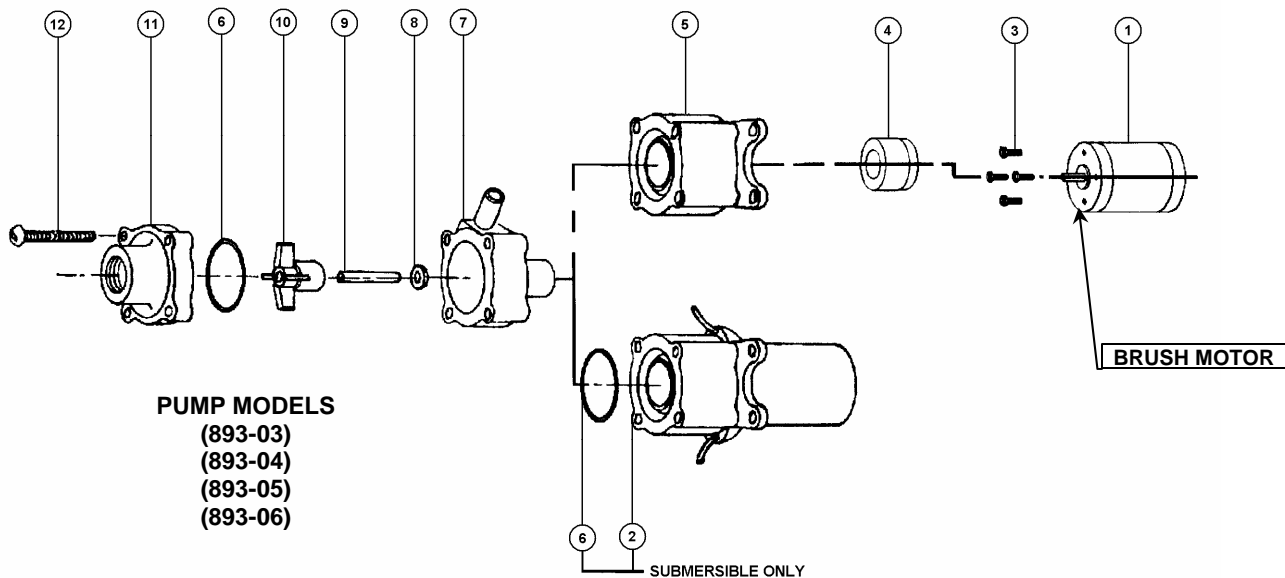
PUMP CONSTRUCTION & OPERATION

March "Orbital" Magnetic Drive Pumps eliminate the conventional shaft seals found in most pumps. This means that there is no rotating seal to wear and allow the liquid being pumped to leak out. All these pumps can be serviced with the use of a screwdriver. The only moving part in the pump other than the motor is the Impeller-Magnet Assembly. This Impeller-Magnet Assembly rotates on a stationary spindle and up against a thrust washer. This is the only part that can wear out, and may need to be replaced. See the Repair Parts List for replacement parts if necessary. Pumps are not self priming and will not produce a suction lift and must be installed with a positive flooded suction. These pumps rely on the liquid being pumped to lubricate the Impeller-Magnet Assembly spinning on the stationary spindle and, therefore, are not intended for dry running.

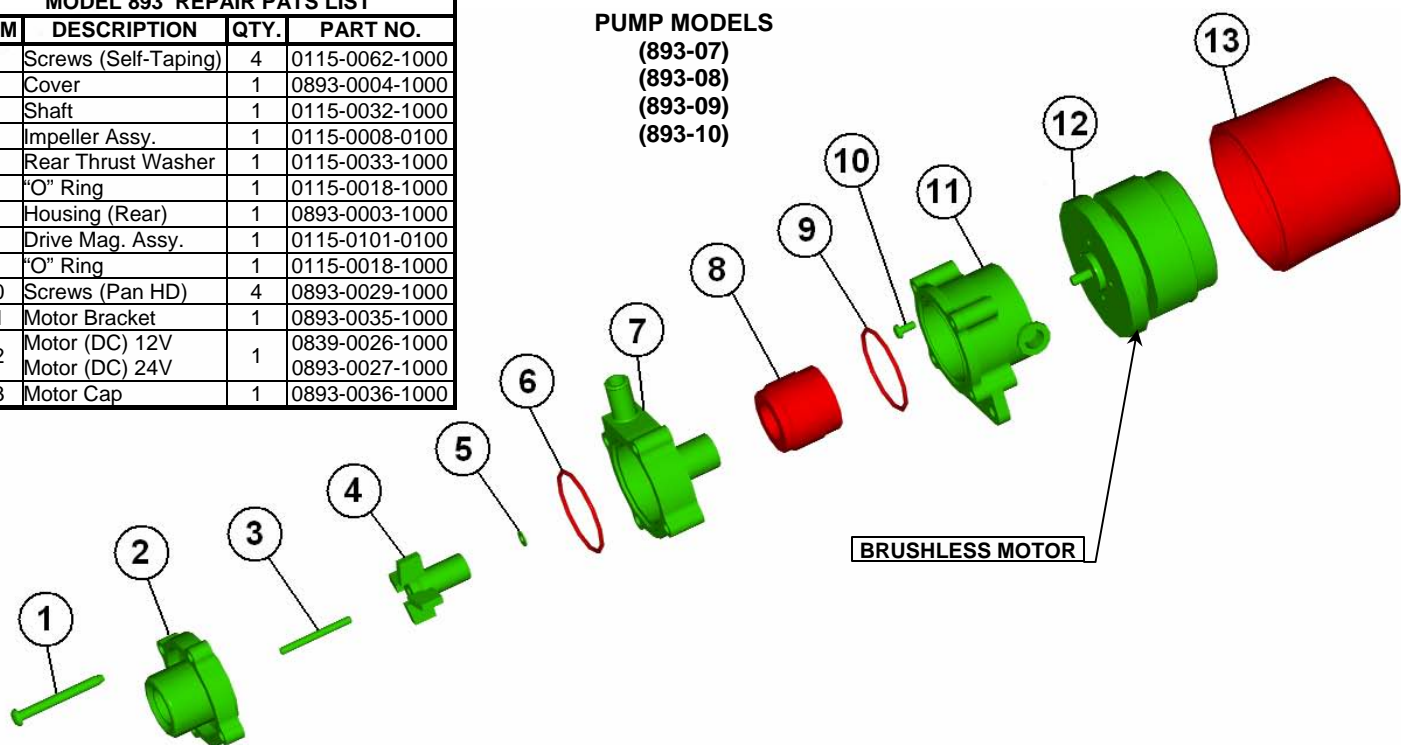
PUMP MATERIALS

All "O" Ring Gaskets are Buna N Rubber. The Stationary Spindle is Type 316 Stainless Steel. Motor Bracket is Glass Filled Noryl. Pump Housing and Cover is Noryl. Impeller Assembly is Nylon and Ceramic. Thrust Washer is Teflon. For other materials available, contact factory. The wet ends for the series 1-MD pumps can also be used on the 893 series pumps.

MODEL 893 REPAIR PARTS LIST							
ITEM	DESCRIPTION	QTY.	PART NO.	ITEM	DESCRIPTION	QTY.	PART NUMBER
1	Motor, 12 V.D.C.	1	0893-0001-1000	6	"O" Ring	As Req'd.	0115-0018-1000
	Motor, 24 V.D.C.		0893-0022-1000	7	Housing (Rear)	1	0893-0003-1000
2	Encapsulated Assy., 12 V.D.C.	1	0893-0019-0100	8	Rear Thrust Washer	1	0115-0033-1000
	Encapsulated Assy., 24 V.D.C.		0893-0022-0100	9	Shaft	1	0115-0032-1000
3	Connecting Bracket Screws	4	0893-0016-1000	10	Impeller Assy.	1	0115-0008-0100
4	Drive Magnet Assy.	1	0115-0101-0100	11	Cover	1	0893-0004-1000
5	Motor Bracket	1	0893-0002-1000	12	Screws (Self-Taping)	4	0115-0062-1000



MODEL 893 REPAIR PARTS LIST			
ITEM	DESCRIPTION	QTY.	PART NO.
1	Screws (Self-Taping)	4	0115-0062-1000
2	Cover	1	0893-0004-1000
3	Shaft	1	0115-0032-1000
4	Impeller Assy.	1	0115-0008-0100
5	Rear Thrust Washer	1	0115-0033-1000
6	"O" Ring	1	0115-0018-1000
7	Housing (Rear)	1	0893-0003-1000
8	Drive Mag. Assy.	1	0115-0101-0100
9	"O" Ring	1	0115-0018-1000
10	Screws (Pan HD)	4	0893-0029-1000
11	Motor Bracket	1	0893-0035-1000
12	Motor (DC) 12V	1	0839-0026-1000
	Motor (DC) 24V		0893-0027-1000
13	Motor Cap	1	0893-0036-1000



Contact factory for other materials and/or parts not listed.

LIMITED WARRANTY

March pumps are warranted to the original user against defects in workmanship and materials under normal use with room temperature water. The brush type motors used on 03, 04, 05 & 06 have a rated brush life of 2,800 hours. They are warranted for 2,800 hours or 12 months, whichever comes first. The brushless motors used on 07, 08, 09, & 10 have a rated life of 50,000 hours and are warranted for 18 months from date of manufacture.