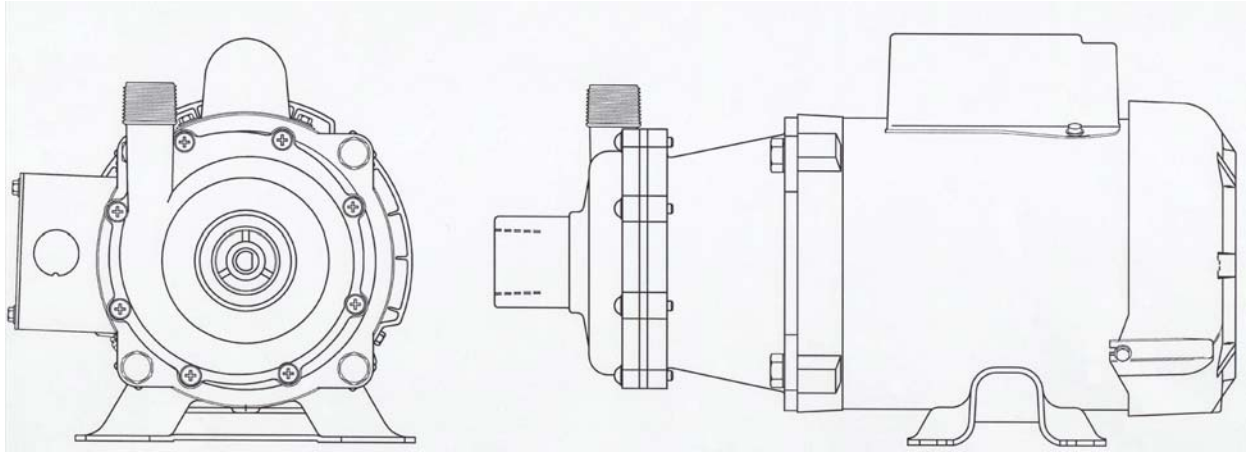


INSTRUCTIONS & REPAIR PARTS FOR MODELS TE-5.5C-MD, TE-5.5K-MD, AND TE-5.5S-MD



RATINGS AND SPECIFICATIONS

MODEL NO.	CONNECTORS		ELECTRICAL			GPM AT LISTED HEAD (60 Hz)					PSI GAGE	DIMENSIONS		
	INLET	OUTLET	HP	VOLTS	AMPS	1 FT.	10 FT.	20 FT.	30 FT.	40 FT.		HT.	WD.	LG.
TE-5.5C-MD														
TE-5.5K-MD	1" FPT	3/4" MPT	1/3	115/230	3.6/1.8	27	23	18.2	11.7	1.5	17.5	8 9/16"	7 7/16"	14 7/16"
TE-5.5S-MD														

PUMP CONSTRUCTION & SERVICING

March "Orbital" Magnetic Drive Pumps eliminate the conventional shaft seals found in most pumps. This means that there is no rotating shaft or seal to wear and allow the liquid being pumped to leak out. The only seal in the pump is a stationary Viton "O" ring seal between the front and the rear Housings.

The pump can be serviced with the use of a screwdriver. The only moving part in the pump, other than the motor, is the Impeller-Magnet Assembly, which rotates on a stationary ceramic spindle and up against a ceramic thrust washer. These are the only parts that might wear, and may require replacement. See the Repair Parts List for replacement parts.

On plastic pumps, do not over tighten the 8 Housing Screws (Item 13) or you may crush the plastic Housing bosses. Tighten all screws uniformly.

ELECTRICAL AND OPERATION

The standard pump has a TEFC motor, 115/230 volts, 60/50 Hz, 1 phase, 3450 r.p.m. rated as continuous duty. A junction box is located on the side of the motor for the electrical hook up.

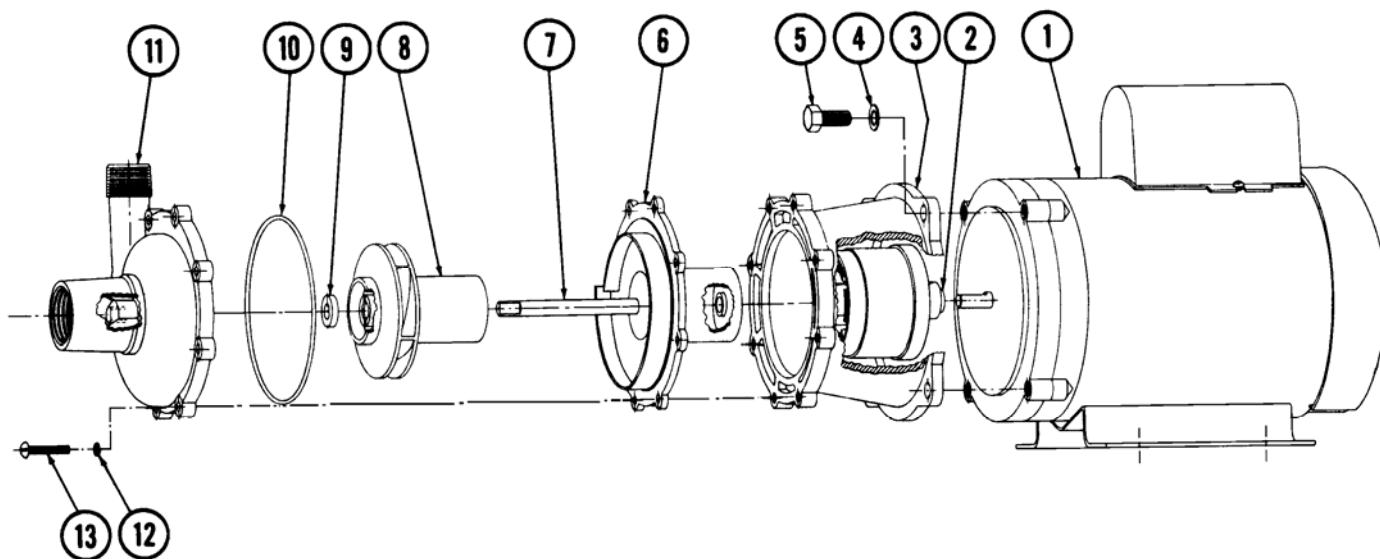
The wiring instructions are located on the motor label or on the junction box cover. The motor has U.L. yellow card recognition.

Pumps are not self priming and will not produce a suction lift and must be installed with a positive flooded suction. We rely on the liquid being pumped to lubricate the Impeller-Magnet assembly bushing spinning on the stationary ceramic spindle. If the pump is run dry for longer than 30 seconds, the Impeller bushing may "freeze" onto the spindle. The direction of motor rotation should be clockwise looking at the inlet of the pump. Other bushing materials are available for "dry" running protection.

Totally enclosed explosion proof and special voltage motors are available upon special order.

PUMP MATERIALS

The pump components in contact with the liquid are polypropylene, Kynar or type 316 stainless steel. The "O" ring gasket is Viton. The spindle shaft and Thrust Washer are ceramic. The stainless Impeller has a Carbon bushing. Other materials are available on special order.



MODEL TE-5.5C-MD, TE-5.5K-MD, AND TE-5.5S-MD REPAIR PARTS LIST			
ITEM	DESCRIPTION	QTY.	PART NUMBER
1	Motor, 115/230 Volt, 1 Phase	1	0151-0015-1000
2	Drive Magnet Assembly	1	0151-0061-0200
3	Motor Connecting Bracket	1	0151-0014-0100
4	3/8 I.D. x 5/8 O.D. Stainless Washer	4	0155-0019-1000
5	3/8-16 x 3/4 Long Screw	4	0155-0017-1000
6A	Rear Housing (Polypropylene)	1	0151-0028-0100
6B	Rear Housing (Kynar)	1	0151-0045-0100
6C	Rear Housing, Type 316 Stainless	1	0151-0003-0000
7	Impeller Shaft, Ceramic	1	0153-0007-1000
8A	Impeller Assembly (Polypropylene)	1	0151-0029-0500
8B	Impeller Assembly (Kynar)	1	0151-0046-0300
8C	Impeller Ass'y., Type 316 S.S. w/Carbon Bushing	1	0151-0001-0400
9	Thrust Washer, Ceramic	1	0155-0009-1000
10	4-1/4 I.D. x 3/32 Thick "O" Ring, Viton	1	0153-0015-1000
11A	Pump Housing (Polypropylene)	1	0151-0027-1000
11B	Pump Housing (Kynar)	1	0151-0044-1000
11C	Pump Housing, Type 316 Stainless	1	0151-0002-0000
12	#10 Stainless Lock Washer (Stainless Pump Only)	8	0151-0016-1000
13	#10-32 x 1 Long Stainless Screw	8	0135-0180-1000

Contact factory for other materials and/or parts not listed.

LIMITED WARRANTY

March pumps are guaranteed only against defects in workmanship or materials for a period of one year from date of manufacture pumping water. On all other solutions, contact the factory for application assistance. March Pump Application Worksheet 750-130-10 is available for additional warranty information.



1819 PICKWICK AVE., GLENVIEW, IL 60026-1306, U.S.A

0151-0026-1000 R8