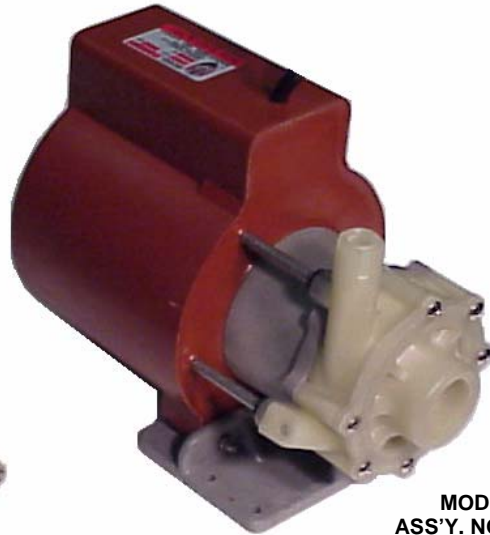


# INSTRUCTIONS & REPAIR PARTS FOR MODELS 5C-MD, AND LC-5C-MD PUMPS



MODEL 5C-MD  
ASS'Y. NO. 0150-0004-0200



MODEL LC-5C-MD  
ASS'Y. NO. 0150-0004-0500

## PUMP CONSTRUCTION & SERVICING

March "Orbital" Magnetic Drive Pumps eliminate the conventional shaft seals found in most pumps. This means that there is no rotating seal to wear and allow the liquid being pumped to leak out. The pumping action may eventually fail, however the liquid can never leak out. The Model LC-5C-MD pump can be run totally submerged or can be run in open air for complete moisture protection. The model 5C-MD must be run submerged only.

All pumps can be serviced with the use of a screwdriver. The only moving part in the pump other than the motor, is the impeller-magnet assembly. This assembly rotates on a stationary spindle and up against a thrust washer. These are the only parts that can wear, and may need to be replaced. See the Repair Parts List for replacement parts.

If you remove the Pump Housing or if you remove the cover, make sure the Motor Bracket "O" Ring is properly seated in the groove before tightening the Housing Screws.

## ELECTRICAL & OPERATION

All models are standard in 115 volt, 50/60 cycle, 1 phase, A.C. The motors are thermal overload protected, and the motor and overload combinations are U.L. and C.S.A. listed. All cord sets are U.L. approved 18/3 wire, SJO or SJT cords. The submersible pumps have 6 foot cords with molded grounding plugs.

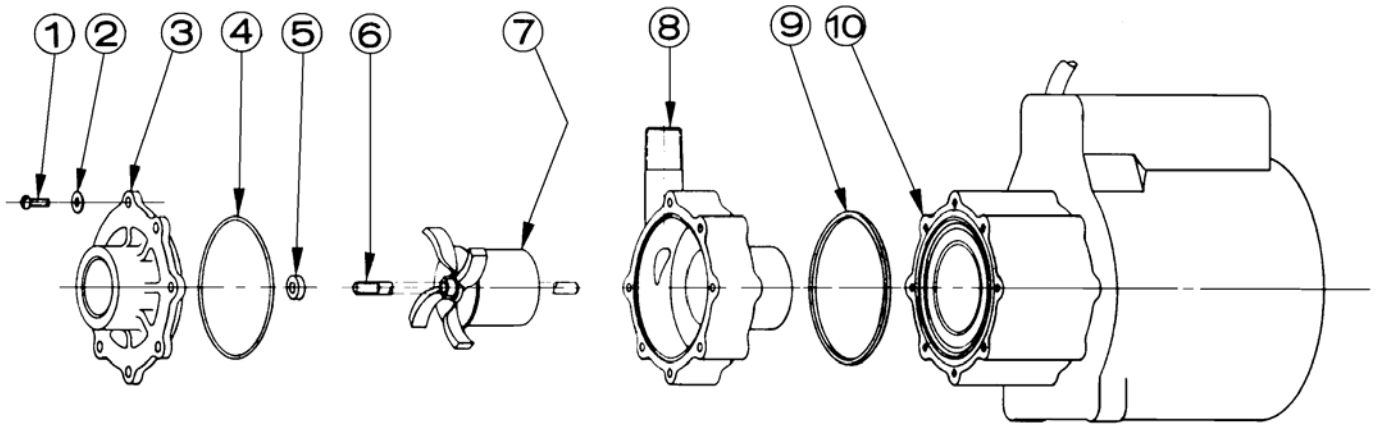
Pumps are not self priming and will not produce a suction lift and must be installed with a positive flooded suction. March relies on the liquid being pumped to lubricate the impeller-magnet assembly spinning on the stationary spindle. The pump is not to run dry as the plastic may "freeze" onto the spindle. Teflon Filled, and Carbon bushings are available if needed. Contact the factory for special applications.

## PUMP MATERIALS

All screws are type 18-8 stainless.  
All "O" ring gaskets are Buna-N rubber  
All stationary spindles are Ceramic.  
All wetted plastic parts are Glass Filled Polypropylene Plastic.  
Motor brackets are Glass Filled Noryl.

## RATINGS AND SPECIFICATIONS

MODEL NO.	CONNECTORS		ELECTRICAL			G.P.H. AT LISTED HEAD						PSI GAGE	DIMENSIONS			PACK WT.
	INLET	OUTLET	HP	WATTS	AMPS	1 FT.	3 FT.	6 FT.	12 FT.	18 FT.	24 FT.		HT.	WD.	LG.	
5C-MD LC-5C-MD	1" FPT	½" MPT	1/8	195	1.7	900	870	820	690	555	395	14	6-13/16" 7-1/16"	5-7/16"	9-13/16"	15.5 LBS.



REPAIR PARTS LIST			
ITEM	DESCRIPTION	QTY.	PART NO.
1	# 8-1-3/4 Machine Screw	7	0150-0021-1000
2	# 8 Washer	7	0135-0016-1000
3	Cover	1	0150-0032-1000
4	"O" Ring, for Cover	1	0135-0007-1000
5	Ceramic Thrust washer	1	0130-0028-1000
6	Shaft	1	0130-0024-1000
7	Impeller Assembly	1	0150-0030-0100
8a	Pump Housing (LC-5C-MD)	1	0150-0153-0200
8b	Pump Housing (5C-MD)	1	0150-0031-0100
9	Quad. Ring, for Motor Bracket	1	0150-0020-1000
10a	LC-5C-MD Motor, Drive Magnet Assembly	1	0150-0158-0100
10b	5C-MD Motor, Drive Magnet Assembly	1	0150-0004-0100
	Cooling Tube Seal, Neoprene Rubber (LC-5C-MD)	2	0125-0007-1000

Contact factory for other materials and/or parts not listed.

### LIMITED WARRANTY

March pumps are guaranteed only against defects in workmanship or materials for a period of one year from date of manufacture pumping water. On all other solutions, contact the factory for application assistance. March Pump Application Worksheet 750-130-10 is available for additional warranty information.