

# INSTRUCTIONS & REPAIR PARTS FOR MDX-MT3, TE-MDX-MT3 AND TE-MDK-MT3 “METL-LESS” PUMPS



**PART NO.**  
0135-0036-0100, 115 VOLT  
0135-0037-0100, 230 VOLT

**MODEL**  
MDX-MT3  
WITH OPEN, FAN-COOLED  
MOTOR, 115 VOLT OR 230 VOLT



**MODEL**  
TE-MDX-MT3  
WITH TOTALLY ENCLOSED, MOTOR  
AND CONDUIT BOX  
DUEL-VOLTAGE, 115/230

**PART NO.**  
0135-0088-0100

## RATINGS AND SPECIFICATIONS

MODEL NO.	RPM @ 115v	MOTOR			DIMENSIONS			MAX PSI	MAX HEAD	GALLONS PER MIN.					WEIGHT PACKED
		H.P.	WATTS	AMPS	HT.	WD.	LG.			1 FT.	3 FT.	6 FT.	9 FT.	15 FT.	
TE-MDX/MDK-MT3	3450	1/15	130	.86/.43	5 1/4"	4 3/8"	9 1/2"	7.6 Lbs.	17.5 Ft.	10.0	9.5	8.7	7.7	4.2	10 Lbs.
MDX-MT3*	3000	1-25	110	1.35	4 7/8"	3 5/8"	8 5/8"	7.0 Lbs.	16 Ft.	8.0	7.2	6.4	5.5	2.0	6 1/2 Lbs.

### PUMP CONSTRUCTION AND SERVICING

March “ORBITAL” Magnetic Drive Pumps eliminate the conventional shaft seals found in most pumps. This means that there is no rotating seal to wear and allow the liquid being pumped to leak out. There are only two areas in this type construction that rotate and could wear out. One area is the motor shaft and bearings. The second area is the impeller-magnet assembly rotating on a stationary spindle, and hence these are the only two areas where wearing can occur.

All parts can be easily serviced and replaced in the field if necessary with the use of a screwdriver. See the Repair Parts List for necessary replacement items.

All ratings are based on pumping water. Depending on the pumping conditions, some liquids heavier than water may cause the magnetic coupling to slip. Contact the factory if this occurs for special instructions. The inlet and outlet ports are 1/2” M.P.T. threads.

### PUMP MATERIALS

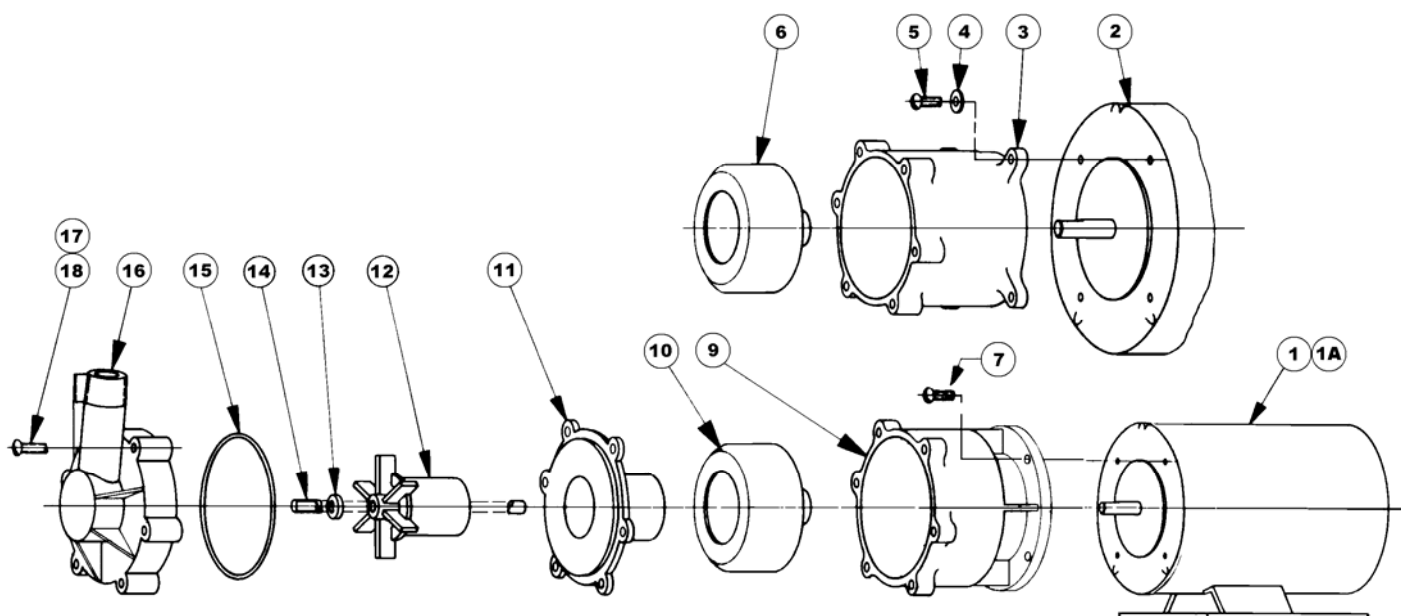
The 3 plastic parts in contact with the liquid are molded out of Ryton®, or Kynar® Plastic. The motor bracket is molded out of glass filled Polypropylene on the TE-MDX-MT3, and black glass filled Noryl on the MDX-MT3. The “O” ring gasket is Viton® “A” rubber. The stationary spindle and thrust washer are chemical resistant ceramic. Contact the factory for other materials available on special order.

### ELECTRICAL & OPERATION

The MDX-MT3 motor is 115 volt, 50/60 cycle, 1 phase A.C.—230 volt motors are available.

The TE-MDX-MT3 motor is totally enclosed, 115/230 volt, 50/60 cycle, 1 phase A.C. See wiring instructions packed with each pump. Both motors are U.L. recognized.

Pumps are not self priming and will not produce a suction lift and must be installed with a positive flooded suction. The pumps should not be run dry for more than 30 seconds as the plastic impeller will squeal and may bind on the stationary spindle.



REPAIR PARTS LIST				
ITEM	DESCRIPTION	QTY.	PART NO.	FOR PUMP
1	Motor, 115 Volt, 50/60 Hz	1	0135-0114-1000	MDX-MT3
1A	Motor, 230 Volt, 50/60 Hz	1	0135-0136-1000	MDX-MT3
2	Motor, 115/230 Volt, 50/60 Hz Totally Enclosed	1	0135-0148-1000	TE-MDX-MT3
3	Motor Bracket	1	0135-0089-1000	TE-MDX-MT3
4	#8 I.D. Washer	4	0135-0016-1000	MDX-MT3
5	Motor Bracket Screws #8-32	4	0618-0027-1000	TE-MDX-MT3
6	Drive Magnet Assembly	1	0130-0043-0300	TE-MDX-MT3
7	Motor Bracket Screws #8-32	4	0135-0169-1000	MDX-MT3
9	Motor Bracket	1	0135-0135-1000	MDX-MT3
10	Drive Magnet Assembly	1	0130-0043-0100	MDX-MT3
11A	Impeller Magnet Housing (Ryton <sup>®</sup> )	1	0135-0087-1000	BOTH
11B	Impeller Magnet Housing (Kynar <sup>®</sup> )	1	0135-0153-1000	BOTH
12A	Impeller Magnet Assembly (Ryton <sup>®</sup> )	1	0135-0113-0200	BOTH
12B	Impeller Magnet Assembly (Kynar <sup>®</sup> )	1	0135-0154-0200	BOTH
13	Ceramic Thrust Washer	1	0130-0028-1000	BOTH
14	Ceramic Spindle	1	0130-0024-1000	BOTH
15	Housing "O" Ring - Viton <sup>®</sup>	1	0135-0046-1000	BOTH
16A	Pump Housing (Ryton <sup>®</sup> )	1	0135-0088-1000	BOTH
16B	Pump Housing (Kynar <sup>®</sup> )	1	0135-0152-1000	BOTH
17A	Pump Housing Screws #10-32	6	0135-0181-1000	MDX-MT3
17B	Pump Housing Screws #10-32	6	0823-0008-1000	TE-MDX-MT3
18	Washer	6	0150-0051-1000	MDX-MT3

Contact factory for other materials and/or parts not listed.

### LIMITED WARRANTY

March pumps are guaranteed only against defects in workmanship or materials for a period of one year from date of manufacture pumping water. On all other solutions, contact the factory for application assistance. March Pump Application Worksheet 750-130-10 is available for additional warranty information.