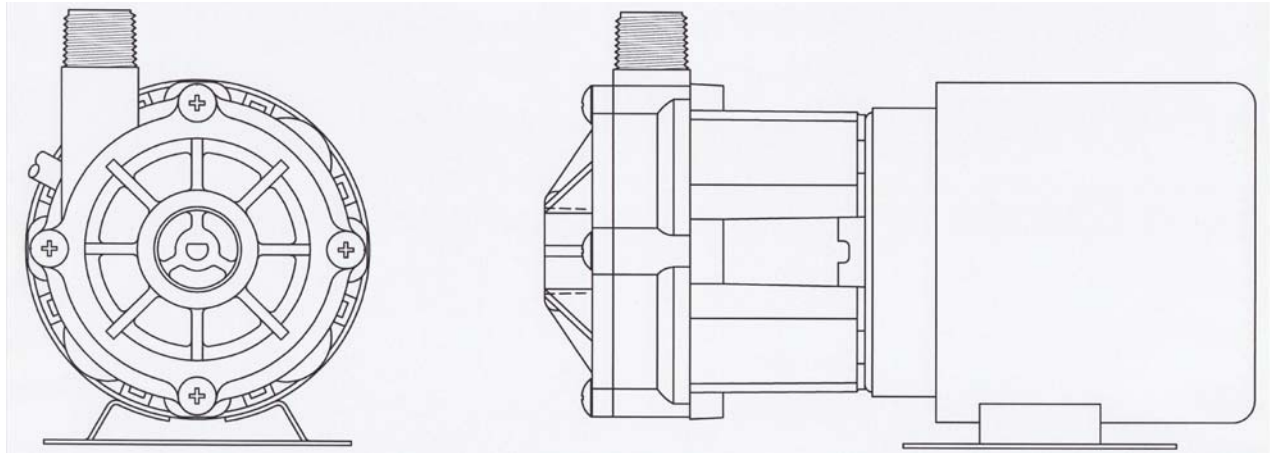


# INSTRUCTIONS & REPAIR PARTS FOR MODELS AC-3CP-MD, AC-3AP-MD, BC-3CP-MD, BC-3AP-MD



## RATINGS AND SPECIFICATIONS

MODEL NO.	CONNECTORS		ELECTRICAL			G.P.H. AT LISTED HEAD					PSI GAGE	MAX HEAD	DIMENSIONS			PACK WT.
	INLET	OUTLET	HP	WATTS	AMPS	1 FT.	3 FT.	6 FT.	12 FT.	18 FT.			HT.	WD.	LG.	
AC-3CP-MD	3/4" FPT	1/2" MPT	1/15	150	2.1	630	582	528	390	180	8.9	20.5 FT.	4-1/4	4	8-1/8	7 lbs.
AC-3AP-MD	3/4" OD	3/4" OD													8-7/8	
BC-3CP-MD	3/4" FPT	1/2" MPT	120	1.7	630	582	528	390	180	8.9	20.5 FT.	4-1/4	4	8-3/4	8 lbs.	
BC-3AP-MD	3/4" OD	3/4" OD												9-9/16		

## PUMP CONSTRUCTION & SERVICING

March "Orbital" Magnetic Drive Pumps eliminate the conventional shaft seals found in most pumps. This means that there is no rotating seal to wear and allow the liquid being pumped to leak out. The pumping action may eventually fail, however the liquid can never leak out. The Model AC & BC-3C-MD have blast cooled, moisture protected motors, with sealed ball bearings, thermal overload protected, allowing the pumps to be run continuously.

All pumps can be serviced with the use of screwdriver. The only moving part in the pump other than the motor, is the impeller-magnet assembly. This assembly rotates on a stationary spindle and up against a thrust washer. These are the only parts that can wear, and may need to be replaced. See the Repair Parts List for replacement parts.

## ELECTRICAL & OPERATION

All models are standard in 115 volt, 60 cycle, 1 phase, A.C. The motors are thermal overload protected, and the motor and overload combinations are U.L. and C.S.A. listed. All cord sets are U.L. approved 18/3 wire, SJO or SJT cords.

The AC style pumps have 3 foot long cords with no plug attached.

Pumps are not self priming and will not produce a suction lift and must be installed with a positive flooded suction. We rely on the liquid being pumped to lubricate the impeller-magnet assembly spinning on the stationary spindle. If the pump is run dry for longer than 10 minutes, the plastic may "freeze" onto the spindle. Various bushing materials are available for dry run protection. Contact the factory for your special application.

## PUMP MATERIALS

All screws are type 18-8 stainless.

The "O" ring gasket is Buna-N rubber on AC and Viton "A" on BC

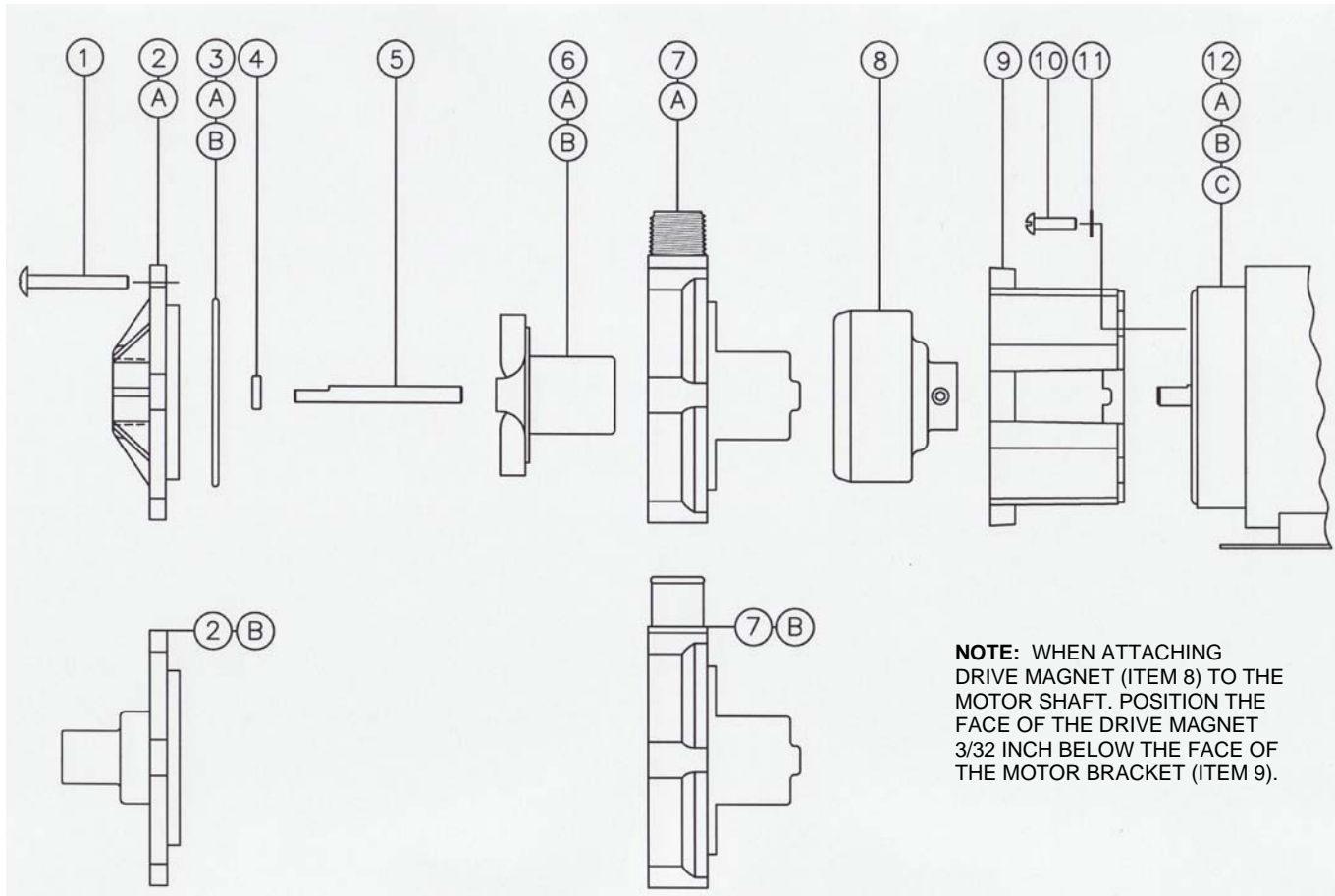
The stationary spindle is ceramic.

All plastic parts are Glass Filled Polypropylene Plastic.

The thrust washer is ceramic.

The Impeller Magnet is encased in Polypropylene on the BC Model.

Other materials are available, contact the factory for other than standard parts.



REPAIR PARTS LIST				
USED IN	ITEM	DESCRIPTION	QTY.	PART NO.
All	1	# 10-32 x 1-1/2 Lg. Rd. Hd. Screw	4	0823-0008-1000
AC-3CP-MD & BC-3CP-MD	2a.	Cover (Hsg) 3/4" FPT Inlet	1	0130-0021-1000
AC-3AP-MD & BC-3AP-MD	2b.	Cover (Hsg) 3/4" OD Inlet	1	0130-0064-1000
AC-3CP-MD & AC-3AP-MD	3a.	2-5/8 I.D. x 3/32 Thick "O" Ring (BUNA N)	1	0130-0011-1000
BC-3CP-MD & BC-3AP-MD	3b.	2-5/8 I.D. x 3/32 Thick "O" Ring (VITON)	1	0130-0033-1000
All	4	Thrust Washer	1	0130-0028-1000
All	5	Impeller Shaft	1	0130-0024-1000
AC-3CP-MD & AC-3AP-MD	6a.	Impeller & Magnet Assembly	1	0130-0020-0100
BC-3CP-MD & BC-3AP-MD	6b.	Encapsulated Impeller Assembly	1	0130-0069-0200
AC-3CP-MD & BC-3CP-MD	7a.	Housing (Rear) 1/2" MPT Outlet	1	0130-0018-1000
AC-3AP-MD & BC-3AP-MD	7b.	Housing (Rear) 3/4" OD Outlet	1	0130-0102-1000
All	8	Drive Magnet Assembly	1	0130-0043-0200
All	9	Motor Connecting Bracket	1	0130-0066-0100
All	10	# 8-32 x 5/8 Lg Rd. Hd. Screw	4	0618-0027-1000
All	11	# 8 Lock Washer	4	0140-0014-1000
AC-3CP-MD & AC-3AP-MD	12a.	AC Motor, 115 Volt, 60 Hz	1	0130-0022-1000
BC-3CP-MD & BC-3AP-MD	12b.	BC Motor, 115 Volt, 50/60 Hz	1	0130-0140-1000
All	12c.	AC or BC Motor, 230 Volt, 50/60 Hz	1	0130-0049-1000

Contact factory for other materials and/or parts not listed.

**LIMITED WARRANTY**

March pumps are guaranteed only against defects in workmanship or materials for a period of one year from date of manufacture pumping water. On all other solutions, contact the factory for application assistance. March Pump Application Worksheet 0750-0130-1000 is available for additional warranty information.