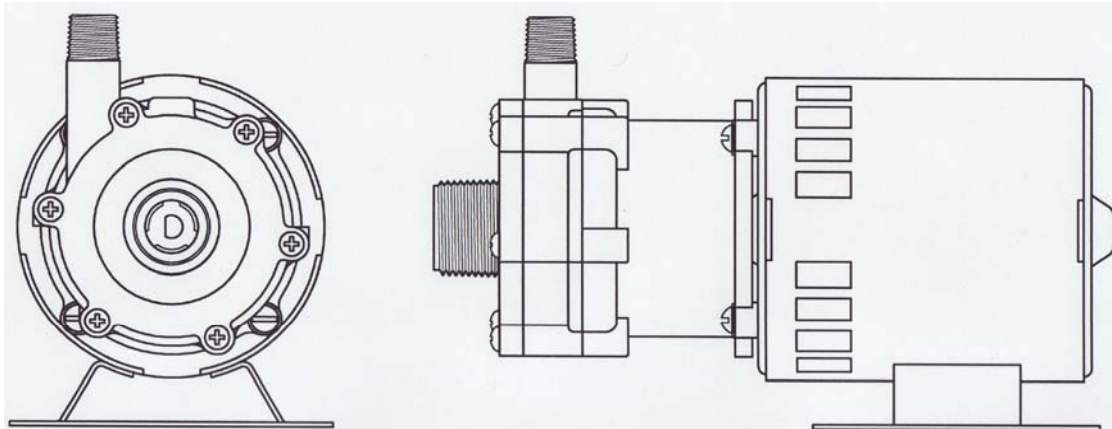


INSTRUCTIONS & REPAIR PARTS FOR MODEL AC-2CP-MD & BC-2CP-MD PUMPS



MODEL AC-2CP-MD
PART NO. 0125-0069-0100

RATINGS AND SPECIFICATIONS

Model No.	CONNECTORS		ELECTRICAL			G.P.H. AT LISTED HEAD				MAX HEAD	PSI GAGE	DIMENSIONS			PACK WT.
	Inlet	Outlet	HP	Watts	Amps	1 Ft.	3 Ft.	6 Ft.	12 Ft.			Ht.	Wd.	Lg.	
AC-2CP-MD BC-2CP-MD	3/8" FPT	1/4" MPT	1/40	70	1.0 1.1	300	260	195	45	13 Ft.	5.7	4-1/2 4-5/8	3-1/2 4	7-3/8 8-3/8	4-1/2 lbs. 6 lbs.

PUMP CONSTRUCTION & SERVICING

March "Orbital" Magnetic Drive Pumps eliminate the conventional shaft seals found in most pumps. This means that there is no rotating seal to wear and allow the liquid being pumped to leak out. The pumping action may eventually fail, however the liquid can never leak out. The Model AC-2CP-MD has an open-air fan cooled, moisture protected motor, with sleeve bearings, and thermal overload protection, allowing the pumps to be run continuously. The BC-2CP-MD motor is blast cooled, totally enclosed.

All pumps can be serviced with the use of screwdriver. The only moving part in the pump other than the motor is the impeller-magnet assembly. This assembly rotates on a stationary spindle and up against a thrust washer. These are the only parts that can wear, and may need to be replaced. See the Repair Parts List for replacement parts.

The "P" in the model number indicates "Porcelain" ceramic spindle and thrust washers. There is no metal in contact with the liquid being pumped.

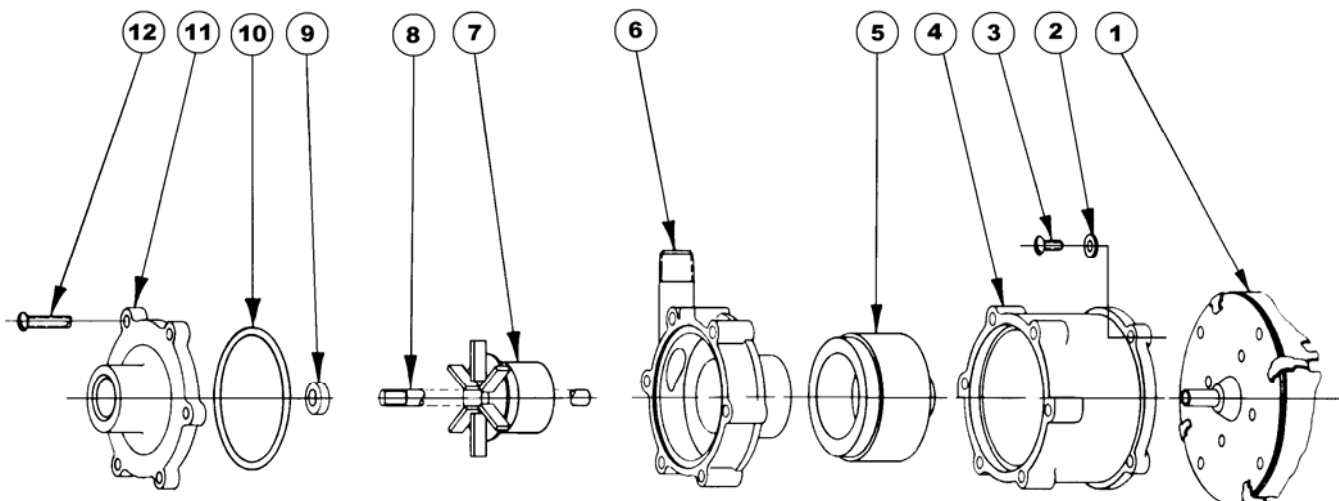
ELECTRICAL & OPERATION

All models are standard in 115 volt, 50/60 cycle, 1 phase, A.C. The motors are thermal overload protected, and the motor and overload combinations are U.L. and C.S.A. listed. All cord sets are 3-foot long U.L. approved 18/3 wire, SJO cords with no plug attached.

Pumps are not self priming and will not produce a suction lift and must be installed with a positive flooded suction. The liquid being pumped serves as lubrication for the impeller-magnet assembly spinning on the stationary spindle. If the pump is run dry, the impeller may squeal and eventually freeze onto the spindle. Various bushing materials are available for dry run protection. Contact the factory for your special application.

PUMP MATERIALS

All screws are type 18-8 stainless.
All "O" ring gaskets are Viton rubber.
The stationary spindle is ceramic.
All plastic parts are Glass Filled Polypropylene Plastic.
The BC model has a polypro encased impeller magnet.
The thrust washer is ceramic.
Other materials are available, contact the factory for other than standard parts.



MODEL AC-2CP-MD & BC-2CP-MD REPAIR PARTS LIST			
ITEM	DESCRIPTION	QTY.	PART NO.
1a	AC Motor, 115 Volt, 50/60 cy., 3500 R.P.M.	1	0125-0052-1000
1b	BC Motor, 115 Volt, 50/60 cy., 3500 R.P.M.	1	0125-0088-1000
2	Washers	4	0858-0004-1000
3	Screws	4	0150-0015-1000
4	Motor Connecting Bracket	1	0125-0069-1000
5	Drive Magnet Assembly	1	0125-0083-0100
6	Pump Housing	1	0125-0058-1000
7a	AC Impeller and Magnet Assembly	1	0125-0055-0100
7b	BC Impeller & Magnet Encapsulated Assembly	1	0125-0087-0200
8	Impeller Spindle Ceramic	1	0125-0061-1000
9	Ceramic Thrust Washer	1	0130-0028-1000
10	Cover "O" Ring, Viton Rubber	1	0125-0065-1000
11	Cover	1	0125-0056-1000
12	Cover Screws. Self Tapping	6	0115-0062-1000

Contact factory for other materials and/or parts not listed.

LIMITED WARRANTY

March pumps are guaranteed only against defects in workmanship or materials for a period of one year from date of manufacture pumping water. On all other solutions, contact the factory for application assistance. March Pump Application Worksheet 750-130-10 is available for additional warranty information.