

Little GIANT®

1.5-MDI-SC



Features

- Thermally protected, open, fan-cooled motor
- Sleeve bearings
- 6' power cord with 3-prong plug
- Specific gravity to 1.1
- Fluid temperature to 150°F
- Ambient air temperature to 77°F

NOTE: Consult your local distributor or the factory for applications with higher ambient temperatures, specific gravities and viscosities

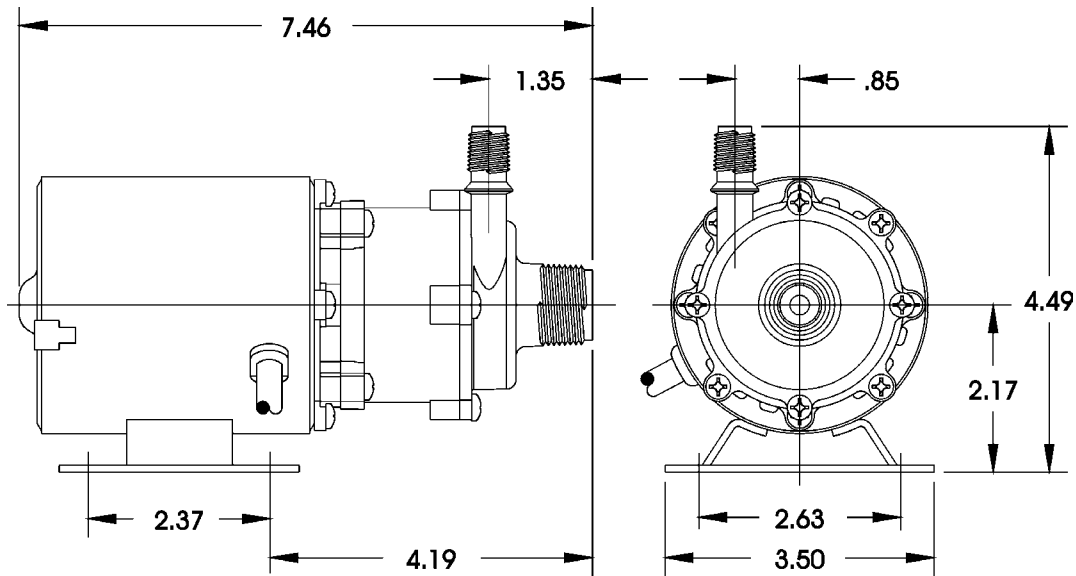
Construction

- Volute — Glass-filled polypropylene
- Magnet Housing — Glass-filled polypropylene
- Impeller — Glass-filled polypropylene
- Shaft — Ceramic
- Thrust Washers — Ceramic
- O-Ring — Viton®



The Little Giant 1.5-MDI-SC series features leakproof, seal-less magnetic drives and are designed for in-line, non-submersible use. Volute, magnet housing and impeller are glass-filled polypropylene for excellent chemical resistance. Ceramic shaft and thrust washers are 99.5% pure alumina for excellent wear and trouble-free service. Pumping heads are easily rotated, cleaned or serviced with no special tools required. Spindle shaft is supported at both ends to prevent impeller damage during start-up and stop of pump.

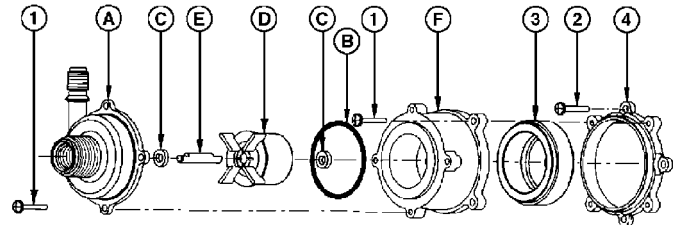
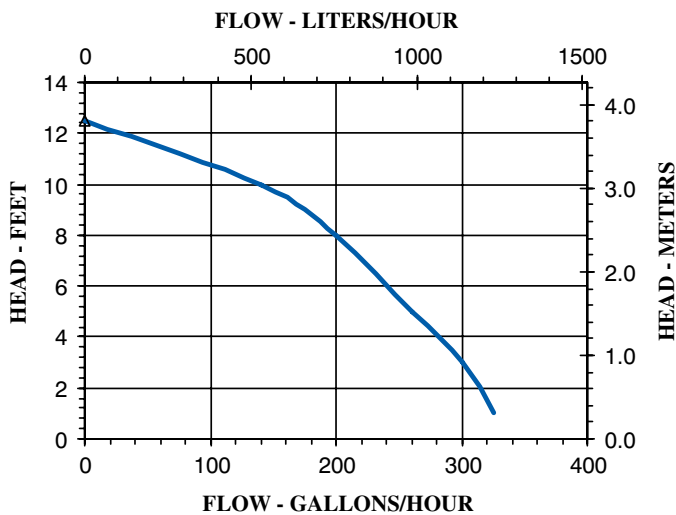
1.5-MDI-SC



NOTE: Designs and dimensions may vary for various reasons (i.e. type of motor). This information should be used as general guide rather than an unqualified guarantee. Specifications are subject to change without prior notice.

Specifications

Model No.	Item No.	Intake Size	Discharge Size	Listings	HP	Volts	Hz	Amps	Watts	Performance (GPH @ Head)				Shut Off		Pwr. Cord (ft.)	Weight (lbs.)
										1'	3'	5'	8'	Feet	PSI		
1.5-MDI-SC	589201	3/4" MNPT/ 3/8" FNPT	1/4" MNPT	UR/C-CSA	1/35	115	60	1.1	88	325	300	260	200	12.5	5.4	6	4.25



Construction

ITEM	PART NO.	DESCRIPTION
A	189001	Volute
B	924132	O-Ring
C	921077	Thrust Washer
D	189010	Impeller
E	189042	Shaft
F	189047	Housing
1	901434	Screw
2	902443	Screw
3	189023	Drive Magnet
4	189046	Mtg. Bracket

LittleGIANT®

PO Box 12010 • Oklahoma City, OK 73157

Phone: 800.701.7894 • Fax: 800.701.8046

E-mail: customerservice@littlegiant.com

Form 995750 — 02/2001