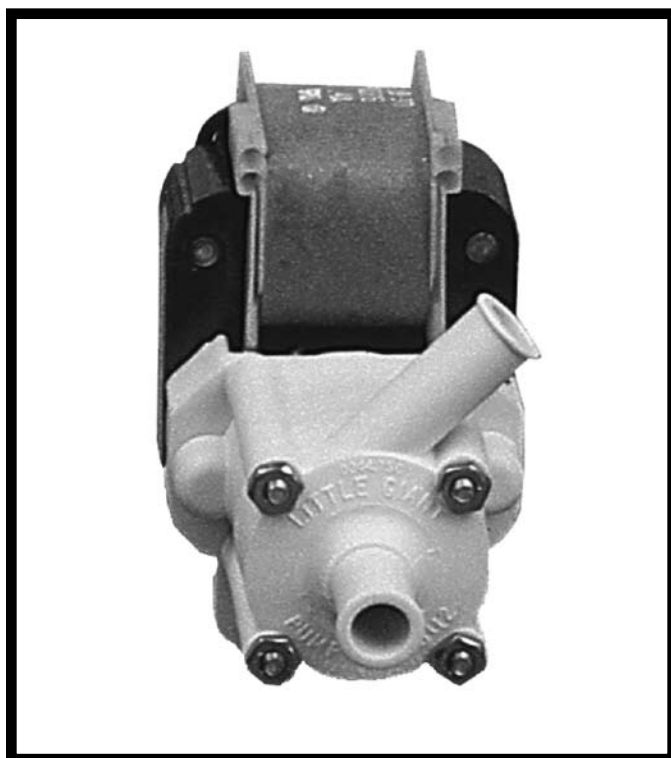


Little GIANT®

1-AA-MD



Features

- Thermally protected, open, shaded-pole motor
- Sleeve bearings
- 3' lead wires without plug
- Specific gravity to 1.1
- Fluid temperature to 150°F
- Ambient air temperature to 77°F

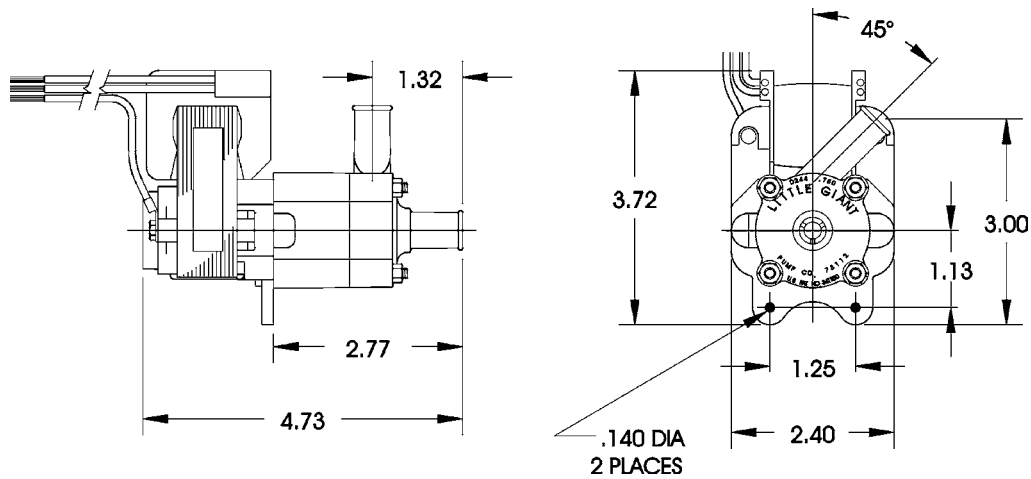
NOTE: Consult your local distributor or the factory for applications with higher ambient temperatures, specific gravities and viscosities.

Construction

- Volute — Glass-filled polypropylene
- Housing — Glass-filled polypropylene
- Impeller — Glass-filled polypropylene and ceramagnet “A” (barium ferrite)
- Shaft — Stainless steel
- Thrust Washers — Rulon “J” (Teflon®)
- O-Ring — Nitrile

The Little Giant MD series features leakproof, seal-less magnetic drives and are designed for in-line, non-submersible use. Volute and magnet housing are glass-filled polypropylene for excellent chemical resistance. Impeller is glass-filled polypropylene and ceramagnet “A” (barium ferrite). Shaft is stainless steel and thrust washers are Rulon “J” (Teflon®) for excellent wear and trouble-free service. Pumping heads are easily rotated, cleaned or serviced with no special tools required. Spindle shaft is supported at both ends to prevent impeller damage during start-up and stop of pump.

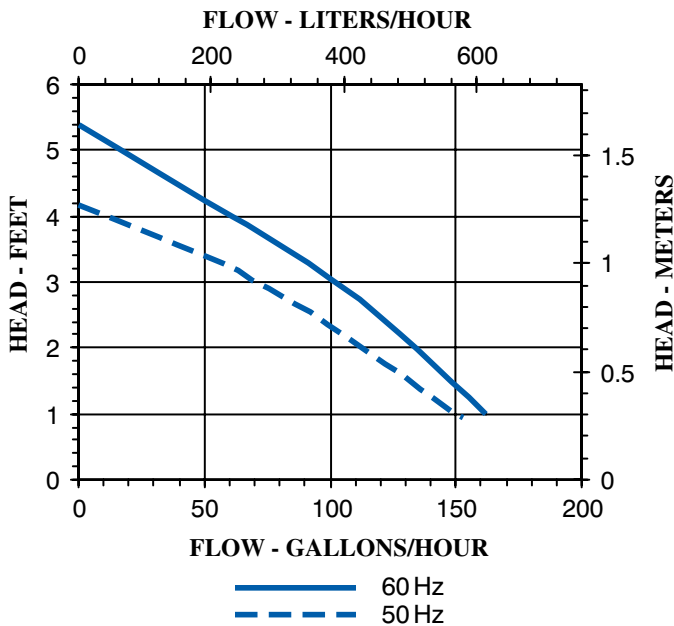
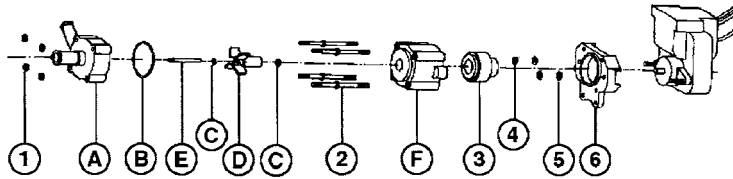
1-AA-MD



NOTE: Designs and dimensions may vary for various reasons (i.e. type of motor). This information should be used as general guide rather than an unqualified guarantee. Specifications are subject to change without prior notice.

Specifications

Model No.	Item No.	Intake Size	Discharge Size	Listing(s)	HP	Volts	Hertz	Amps	Watts	Performance (GPH @ Head)		Shut Off		Power Cord (ft.)	Weight (lbs.)
										1'	3'	Feet	PSI		
1-AA-MD	588001	1/2" Hose	1/2" Hose	UR/C-CSA	1/200	115	60	0.4	19	162	102	5.4	2.3	6	2.33
1-AA-MD	588002	1/2" Hose	1/2" Hose	UR/C-CSA	1/200	230	50/60	.12/.14	20	162	102	5.4	2.3	6	2.33
1-AA-MD	588122	1/2" Hose	1/2" Hose												0.90



Replacement Parts

ITEM	PART NO.	DESCRIPTION
A	188010	Volute
B	924025	O-ring
C	921065	Thrust washer
D	188100	Impeller
E	188050	Shaft
F	188001	Housing
1	920020	Nut
2	911503	Stud, collared
3	188124	Drive magnet
4	920002	Nut
5	921028	Lock washer
6	188030	Mounting Bracket

NOTE: Parts A-F contact fluid

LittleGIANT
 PO Box 12010 • Oklahoma City, OK 73157
 Phone: 800.701.7894 • Fax: 800.701.8046
 E-mail: customerservice@littlegiant.com