

# Little GIANT®

## TE-3-MD-HC



### Features

- Thermally protected, totally enclosed, fan-cooled motor
- Ball bearings
- 6' power cord with 3-prong plug (no plug on 230V)
- Specific gravity to 1.1
- Fluid temperature to 200°F
- Ambient air temperature to 77°F
- Run-dry capability up to 8 hours\*

**NOTE:** Consult your local distributor or the factory for applications with higher ambient temperatures, specific gravities and viscosities.

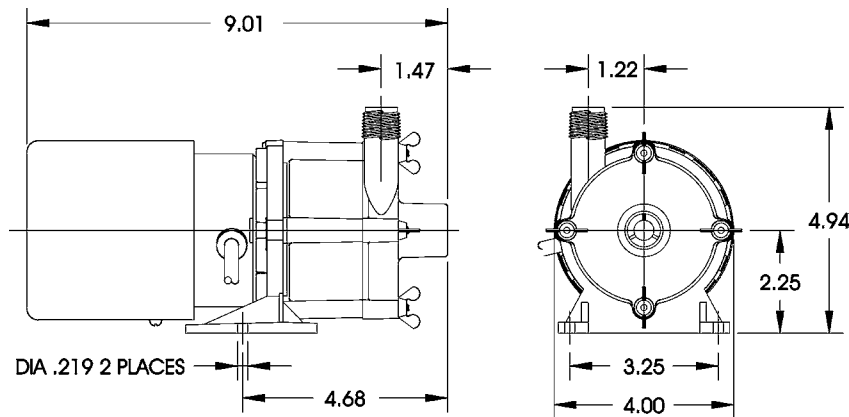
\*581605 not run-dry capable

### Construction

- Volute — Glass-filled Ryton®
- Housing — Glass-filled Ryton®
- Impeller — Glass-filled Ryton® w/carbon bushing (581605 has mica-filled Teflon® bushing)
- Shaft — Ceramic
- Thrust Washers — Ceramic
- O-Ring — Viton®

The Little Giant MD-HC series features leakproof, seal-less magnetic drives and are designed for in-line, non-submersible use. Volute, magnet housing and impeller are glass-filled Ryton® for excellent chemical resistance. Ceramic shaft and thrust washers are 99.5% pure alumina for excellent wear and trouble-free service. Pumping heads are easily rotated, cleaned or serviced with no special tools required. Spindle shaft is supported at both ends to prevent impeller damage during start-up and stop of pump.

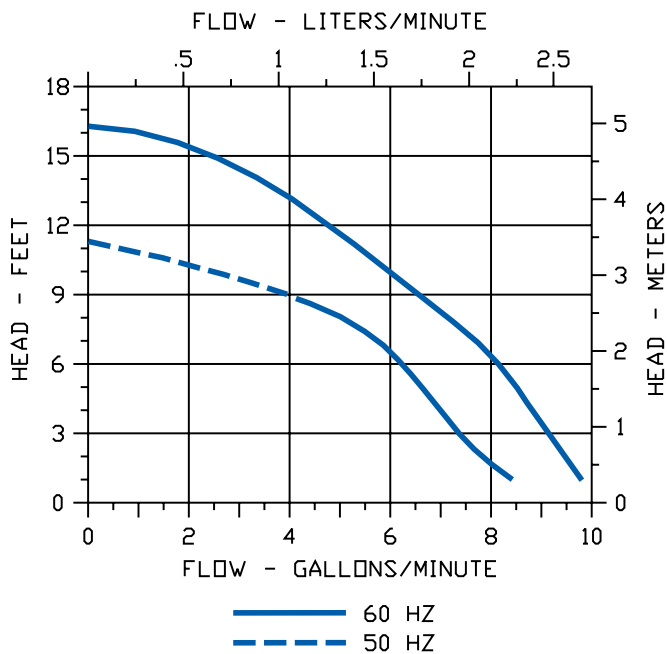
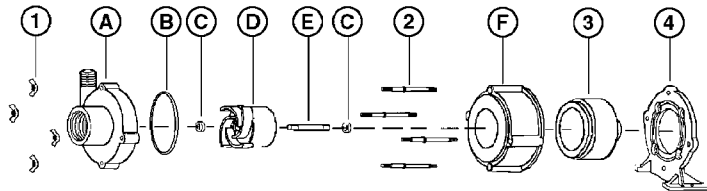
# TE-3-MD-HC



**NOTE:** Designs and dimensions may vary for various reasons (i.e. type of motor). This information should be used as general guide rather than an unqualified guarantee. Specifications are subject to change without prior notice.

## Specifications

Model No.	Item No.	Intake Size	Discharge Size	Listing(s)	HP	Volts	Hertz	Amps	Watts	Performance (GPM @ Head)					Shut Off		Power Cord (ft.)	Weight (lbs.)
										1'	3'	6'	9'	15'	Feet	PSI		
TE-3-MD-HC	581604	1/2" FNPT	1/2" MNPT	UR/C-CSA	1/25	115	60	1.3	94	9.8	9.1	8.2	6.5	2.5	16.3	7.1	6	8.80
TE-3-MD-HC	581605	1/2" FNPT	1/2" MNPT	UR/C-CSA	1/25	115	60	1.3	94	9.8	9.1	8.2	6.5	2.5	16.3	7.1	6	8.80
TE-3-MD-HC	581614	1/2" FNPT	1/2" MNPT	UR/C-CSA	1/20	230	50/60	1.1/.8	135/115	9.8	9.1	8.2	6.5	2.5	16.3	7.1	6	8.80
TE-3-MD-HC	581698	1/2" FNPT	1/2" MNPT															2.33



## Replacement Parts

ITEM	PART NO.	DESCRIPTION
A	180080	Volute
B	924008	O-ring
C	921077	Thrust washer
D	181148	Impeller/Bushing
D	181151	Impeller/Bushing ass'y (for 581605)
E	180057	Shaft
F	182006	Housing
1	920003	Wing nut
2	911403	Stud, collared
3	182602	Drive magnet
4	180042	Mounting bracket

**NOTE:** Parts A-F contact fluid

**LittleGIANT**  
 PO Box 12010 • Oklahoma City, OK 73157  
 Phone: 800.701.7894 • Fax: 800.701.8046  
 E-mail: customerservice@littlegiant.com