

# Little GIANT<sup>®</sup> Pump Company

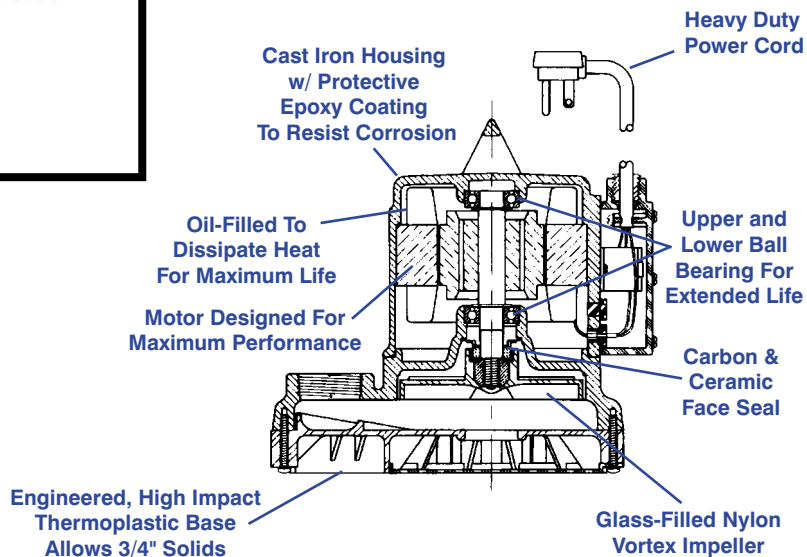
Eliminator Series  
Sump/Effluent Pumps

## 10E SERIES



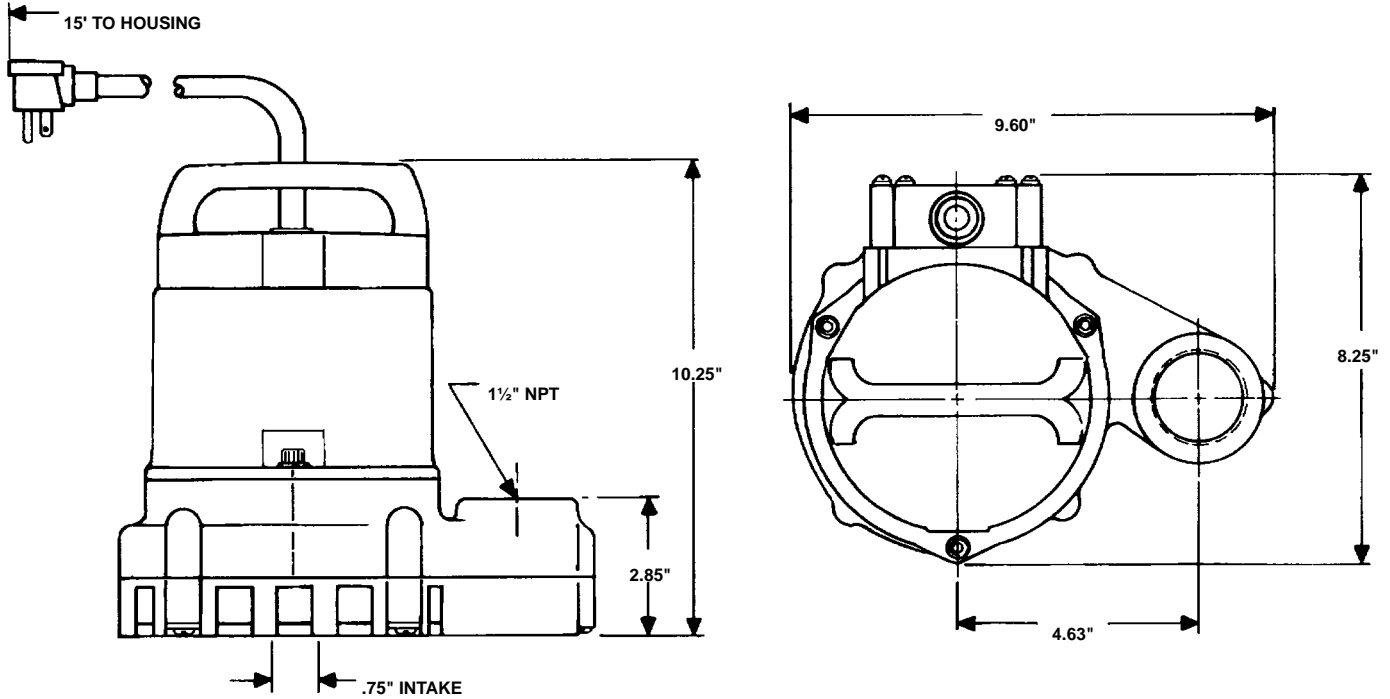
### Features

- Handles liquids and solid waste materials up to 3/4" diameter
- Cast iron pump housing with protective epoxy coating for corrosion resistance
- Oil-filled motor housing for lifetime lubrication and rapid heat dissipation
- Stainless steel fasteners
- Mechanical seals (stainless steel spring, nitrile parts, Carbon and ceramic faces)
- Bearings: Upper and lower ball bearings
- Thermal overload protection
- Manual and Automatic models
- Automatic operation has 9 to 14 "On" level and 2 to 6 "Off" level range with piggyback remote float switch
- All 115 volt models are UL/CSA listed



# Little Giant Pump Co.

## 10E SERIES SUMP/EFFLUENT PUMPS



### Specifications

MODEL NO.	ITEM. NO.	LISTING	HP	VOLTS	SOLIDS SIZE (Dia. In.)	RUNNING AMPS/WATTS	PERFORMANCE (GPM @ HEAD)				SHUTOFF (Ft.)	PWR. CRD. (Ft.)	WEIGHT (Lbs.)	DIMENSIONS (H x L x W in.)	
							5	10	15	20					
10E-CIM	511200	UL/CSA	1/2	115	3/4"	10.5/900	80	67	52	33	26	11.2	15	35	10.25 x 9.6 x 8.25
10E-CIA-RFS	511300	UL/CSA	1/2	115	3/4"	10.5/900	80	67	52	33	26	11.2	15	37	10.25 x 9.6 x 8.25
10E-CIM	511275	UL/CSA	1/2	208-230	3/4"	6.6A/900	80	67	52	33	26	11.2	15	36	10.25 x 9.6 x 8.25
10E-CIM	511225	UL/CSA	1/2	115	3/4"	10.5/900	80	67	52	33	26	11.2	25	36	10.25 x 9.6 x 8.25

All Models are 60 Hz

(NOTE: Use 6.5 amps for 511275 for 50 Hz rating)

RFS = Mechanical Float Switch



### Construction

Motor Housing	Epoxy Coated Cast Iron
Impeller Material	Nylon
Impeller Type	Vortex
Volute	Epoxy Coated Cast Iron
Power Cord	SJTW-A
Mechanical Shaft Seal	Nitrile with carbon and ceramic faces
Fasteners	Stainless Steel
Shaft	Steel
Bearings	Upper and lower Ball Bearings

---

For technical advice or service please take your pump into your local pump service center.  
To order pump or parts or for pricing please go to the following links :

[Little Giant Pumps Home >>](#)

[Little Giant Pumps stock list >>](#)