

Wastewater

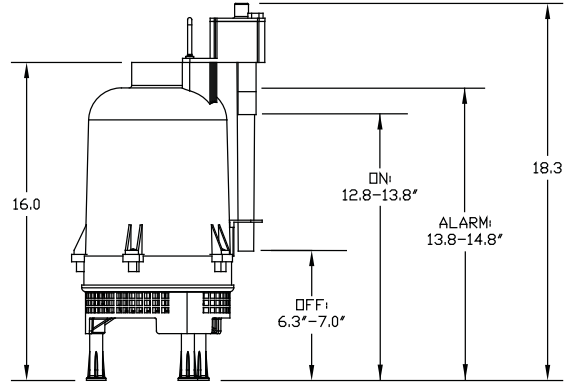
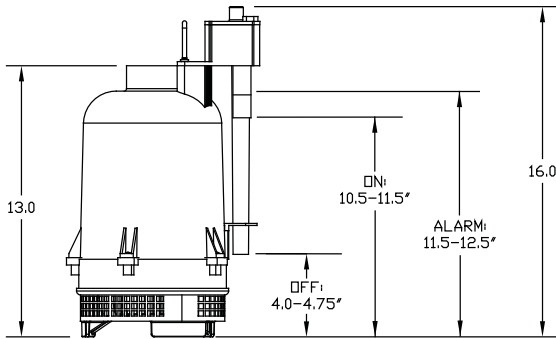
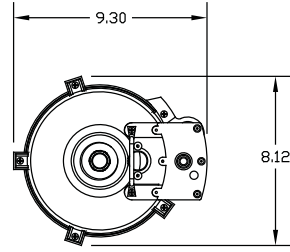
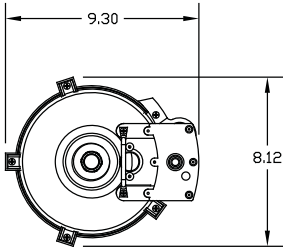
TSW[®] Series



Features:

- Center discharge (1-1/2" NPT) for suspended installation from sump basin cover, to keep pump off the bottom where gravel or other debris are more likely to cause clogging
- Integral IntelliSwitch[®] with no moving parts for the most reliable automatic turn-on/turn-off operation, and high water alarm activation
- Integral IntelliPlug[®] that provides a red, high water alarm light and 85db buzzer, a "push-to-silence" switch, and a green run light to show when pump is running
 - Eliminates the need to purchase and install a separate alarm device to warn of a high water condition
- A side screened inlet and a recessed, vortex impeller to reduce the potential for clogging
- Easy to attach legs (included) for use when pump is not suspended from cover
- Both upper and lower ball bearings for smooth, quiet operation and longer motor life
- Mechanical shaft seal provides protection against water entry into the motor
- Environmental friendliness in mind:
 - Protection against the safety and health hazards that may be associated with flooded basements
 - Powerful and efficient 1/3 HP permanent split capacitor motor draws less than 5.0 full load amps, conserving energy, while delivering 40 GPM at 10' total dynamic head
 - Center discharge enables the water to flow past the enclosed motor housing to cool the motor, eliminating the need for a motor chamber filled with oil that may be a potential contaminant
 - All exposed component parts of the pump are made of corrosion resistant materials to provide a longer service life

Engineering Data



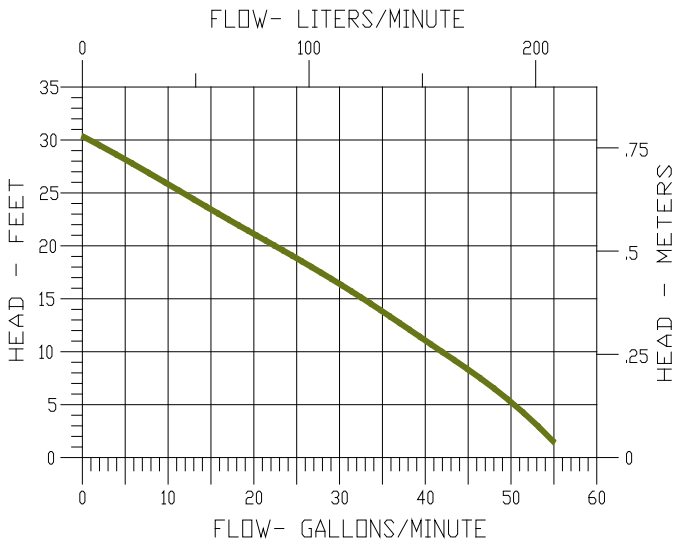
A-M744

OVERALL DIMENSIONS WO/LEG KIT

OVERALL DIMENSIONS W/LEG KIT

Specifications

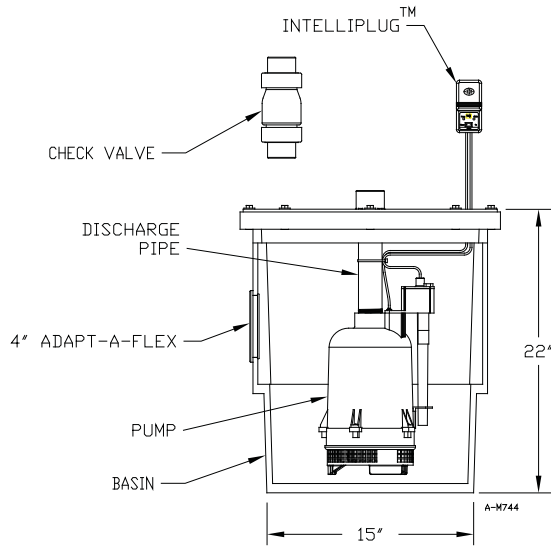
Model No.	Item No.	Listing	HP	Volts	Discharge	Full Load Amps/Watts	Performance (GPM@Head)			Shutoff		Weight (lb.)	Dimensions (H x L x W in.)
							5'	10'	20'	Feet	P.S.I.		
TSW-SP	507700	UL/CSA	1/3	115	1-1/2"	4.5/475	50	40	25	30	13.1	13.8	16.00 x 9.30 x 8.12



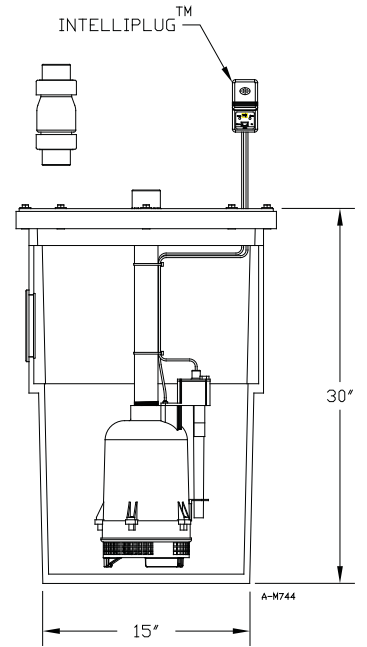
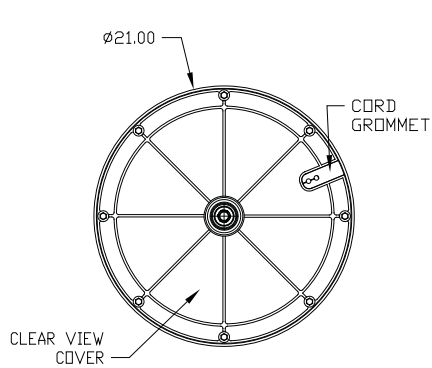
Construction

Motor Housing	Engineered Thermoplastic
Impeller Material	Engineered Thermoplastic
Impeller Type	Vortex
Volute	Engineered Thermoplastic
Power Cord	10' SJTW
Shaft Seals: Mechanical	Nitrile with carbon ceramic faces
Fasteners	Stainless Steel
Bearings	Upper and Lower Ball Bearings

System Dimensions



22" BASIN PACKAGE

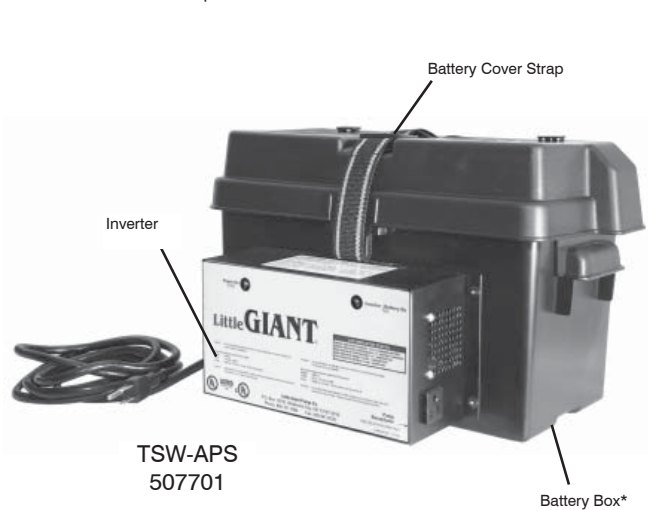


30" BASIN PACKAGE

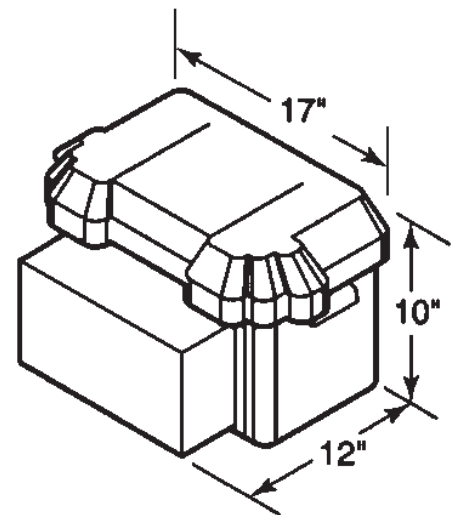
Basin Construction

Clear View Basin Cover	ABS
Basin	Polypropylene
Basin Capacity (approx.)	22" basin – 22 gallons 30" basin – 30 Gallons
Discharge Size	1-1/2"
Intake Size	4" Adapt-A-Flex*

*4" hub available as an option



*Battery not included. Requires one deep cycle marine battery.



Systems & Components

TSW-A Series - System includes: Pump, clear view cover, and discharge kit with clear check valve

507709, TSW-A22 (For use with 22" basin #507705, TSW-B1822A)

507710, TSW-A30 (For use with 30" basin #507707, TSW-B1830A)



TSW-B Series - System includes: Pump, 22" or 30" basin, clear view cover assembly, and discharge kit with clear check valve

507711, TSW-B22A (22" unit)

507713, TSW-B30A (30" unit)



TSW-C Series - System includes: Pump, clear view cover assembly, discharge kit with clear check valve, and Auxiliary Power System (TSW-APS)

507715, TSW-C22 (For use with 22" basin #507705, TSW-B1822A)

507716, TSW-C30 (For use with 30" basin #507707, TSW-B1830A)



TSW-D Series - System includes: Pump, 22" or 30" basin, clear view cover assembly, discharge kit with clear check valve, and Auxiliary Power System (TSW-APS)

507717, TSW-D22A (22" unit)

507719, TSW-D30A (30" unit)



Component Variations Available:

Item	Model	Description
507700	TSW-SP	TSW Sump Pump
507701	TSW-APS	Auxiliary Power System
507702	TSW-CVC	Clear View Basin Cover
507703	TSW-DPK22	Discharge Kit for 22" Deep Basin
507704	TSW-DPK30	Discharge Kit for 30" Deep Basin
507705	TSW-B1822A	18" x 22" Poly Basin with Adaptaflex Inlet Fitting
507707	TSW-B1830A	18" x 30" Basin with Adaptaflex Inlet Fitting
507721	TSW-SP-C	TSW Sump Pump and Auxilliary Power Supply