

# Wastewater

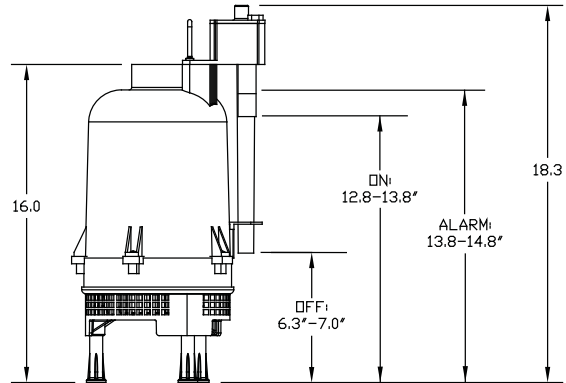
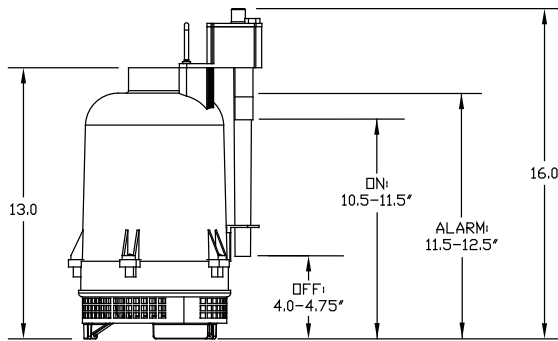
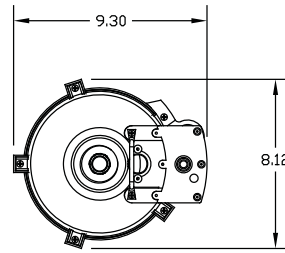
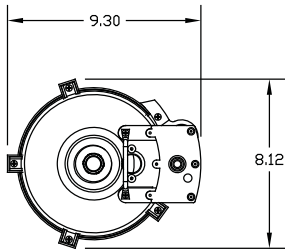
## TSW<sup>®</sup> Series



### Features:

- Center discharge (1-1/2" NPT) for suspended installation from sump basin cover, to keep pump off the bottom where gravel or other debris are more likely to cause clogging
- Integral IntelliSwitch<sup>®</sup> with no moving parts for the most reliable automatic turn-on/turn-off operation, and high water alarm activation
- Integral IntelliPlug<sup>®</sup> that provides a red, high water alarm light and 85db buzzer, a "push-to-silence" switch, and a green run light to show when pump is running
  - Eliminates the need to purchase and install a separate alarm device to warn of a high water condition
- A side screened inlet and a recessed, vortex impeller to reduce the potential for clogging
- Easy to attach legs (included) for use when pump is not suspended from cover
- Both upper and lower ball bearings for smooth, quiet operation and longer motor life
- Mechanical shaft seal provides protection against water entry into the motor
- Environmental friendliness in mind:
  - Protection against the safety and health hazards that may be associated with flooded basements
  - Powerful and efficient 1/3 HP permanent split capacitor motor draws less than 5.0 full load amps, conserving energy, while delivering 40 GPM at 10' total dynamic head
  - Center discharge enables the water to flow past the enclosed motor housing to cool the motor, eliminating the need for a motor chamber filled with oil that may be a potential contaminant
  - All exposed component parts of the pump are made of corrosion resistant materials to provide a longer service life

## Engineering Data



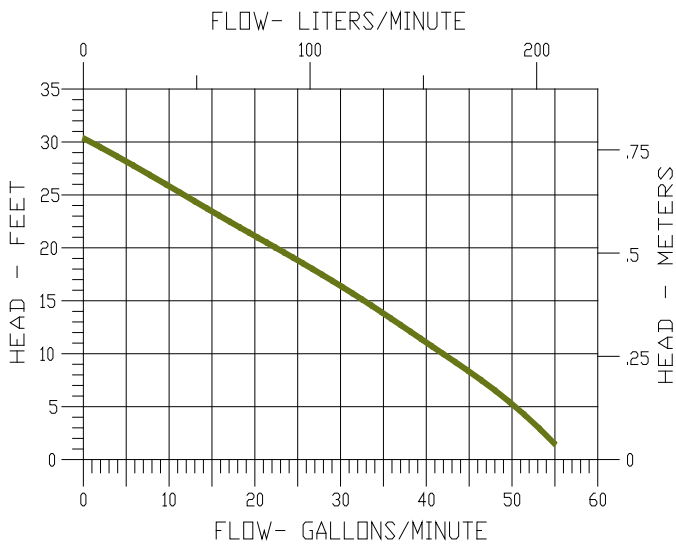
A-M744

OVERALL DIMENSIONS WO/LEG KIT

OVERALL DIMENSIONS W/LEG KIT

## Specifications

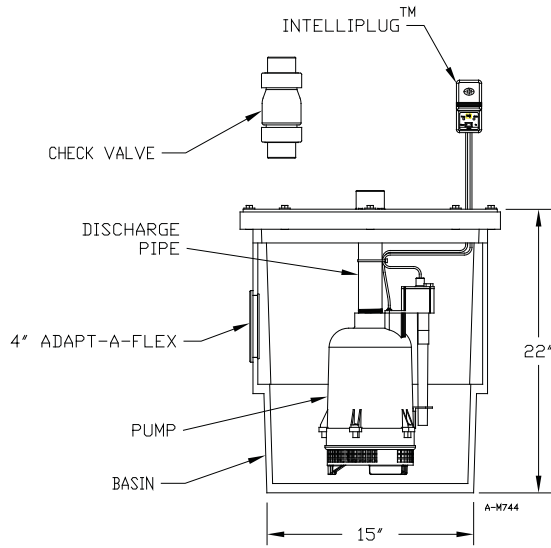
Model No.	Item No.	Listing	HP	Volts	Discharge	Full Load Amps/Watts	Performance (GPM@Head)			Shutoff		Weight (lb.)	Dimensions (H x L x W in.)
							5'	10'	20'	Feet	P.S.I.		
TSW-SP	507700	UL/CSA	1/3	115	1-1/2"	4.5/475	50	40	25	30	13.1	13.8	16.00 x 9.30 x 8.12



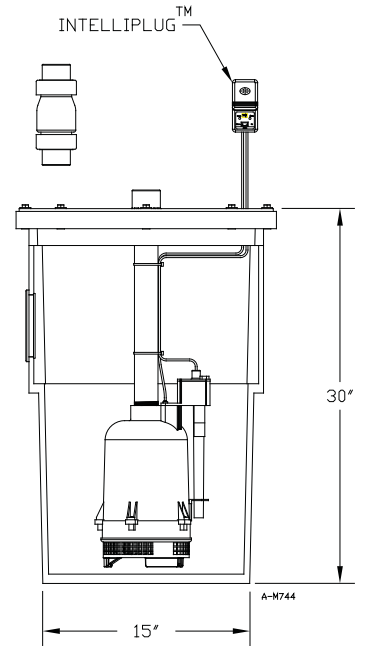
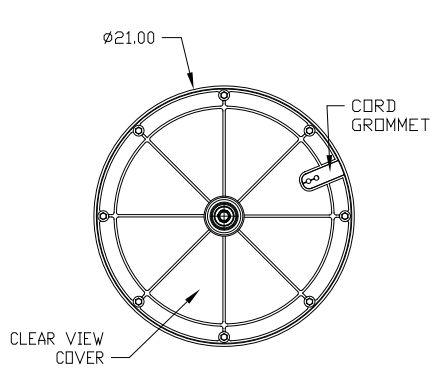
## Construction

Motor Housing	Engineered Thermoplastic
Impeller Material	Engineered Thermoplastic
Impeller Type	Vortex
Volute	Engineered Thermoplastic
Power Cord	10' SJTW
Shaft Seals: Mechanical	Nitrile with carbon ceramic faces
Fasteners	Stainless Steel
Bearings	Upper and Lower Ball Bearings

## System Dimensions



22" BASIN PACKAGE

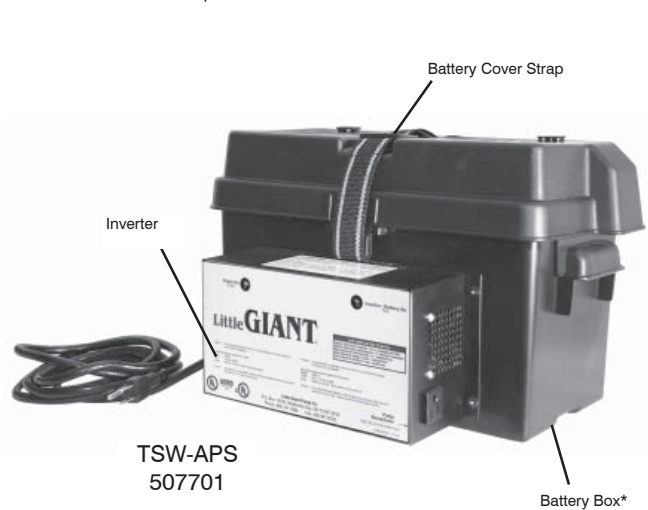


30" BASIN PACKAGE

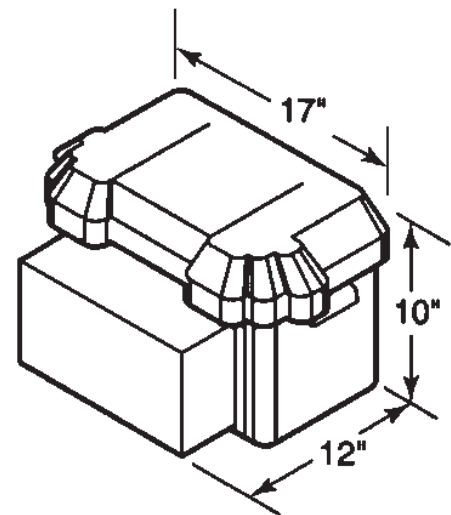
## Basin Construction

Clear View Basin Cover	ABS
Basin	Polypropylene
Basin Capacity (approx.)	22" basin – 22 gallons 30" basin – 30 Gallons
Discharge Size	1-1/2"
Intake Size	4" Adapt-A-Flex*

\*4" hub available as an option



\*Battery not included. Requires one deep cycle marine battery.



## Systems & Components

TSW-A Series - System includes: Pump, clear view cover, and discharge kit with clear check valve

507709, TSW-A22 (For use with 22" basin #507705, TSW-B1822A)

507710, TSW-A30 (For use with 30" basin #507707, TSW-B1830A)



TSW-B Series - System includes: Pump, 22" or 30" basin, clear view cover assembly, and discharge kit with clear check valve

507711, TSW-B22A (22" unit)

507713, TSW-B30A (30" unit)



TSW-C Series - System includes: Pump, clear view cover assembly, discharge kit with clear check valve, and Auxiliary Power System (TSW-APS)

507715, TSW-C22 (For use with 22" basin #507705, TSW-B1822A)

507716, TSW-C30 (For use with 30" basin #507707, TSW-B1830A)



TSW-D Series - System includes: Pump, 22" or 30" basin, clear view cover assembly, discharge kit with clear check valve, and Auxiliary Power System (TSW-APS)

507717, TSW-D22A (22" unit)

507719, TSW-D30A (30" unit)



### Component Variations Available:

Item	Model	Description
507700	TSW-SP	TSW Sump Pump
507701	TSW-APS	Auxiliary Power System
507702	TSW-CVC	Clear View Basin Cover
507703	TSW-DPK22	Discharge Kit for 22" Deep Basin
507704	TSW-DPK30	Discharge Kit for 30" Deep Basin
507705	TSW-B1822A	18" x 22" Poly Basin with Adaptaflex Inlet Fitting
507707	TSW-B1830A	18" x 30" Basin with Adaptaflex Inlet Fitting
507721	TSW-SP-C	TSW Sump Pump and Auxilliary Power Supply