

Little GIANT®

5-MSP SERIES



Features

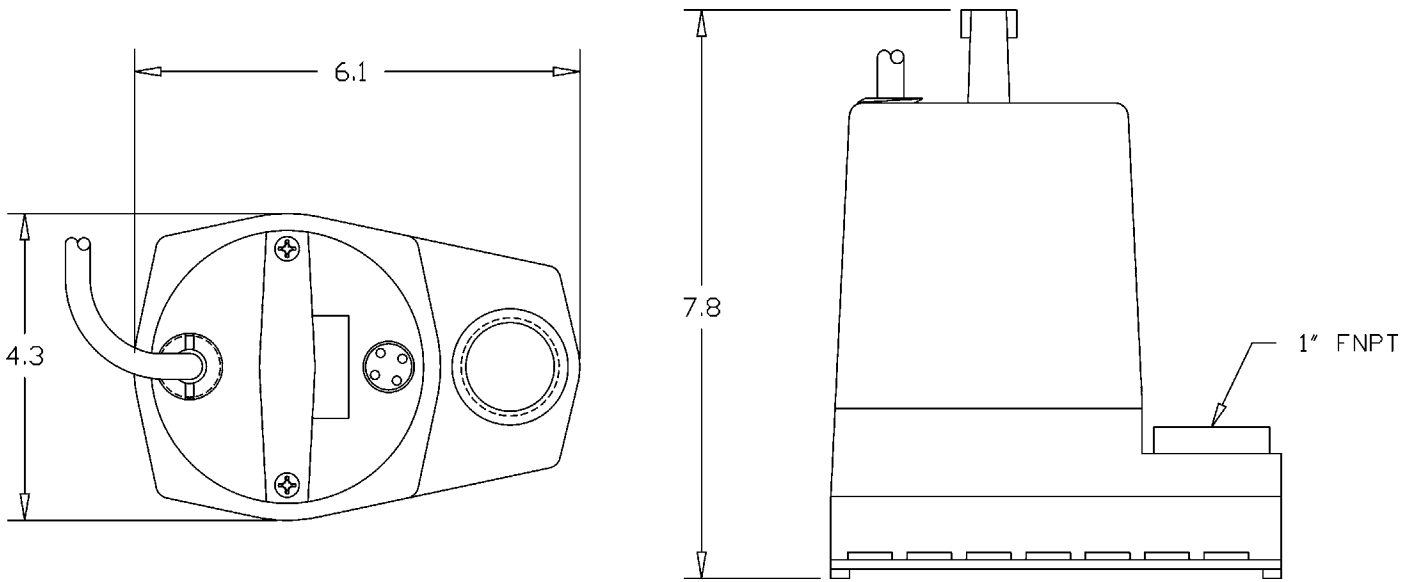
- Epoxy coated die-cast aluminum housing
- Oil-filled motor
- 26.3' maximum lift
- 380 watts
- 1" FNPT discharge
- Thermal overload protection
- For submersible use only

Construction

- Motor — 1/6 HP oil filled
- Intermittent Liquid Temp. up to — 120°F
- Intake — Screened
- Discharge — 1" FNPT
- Housing — Epoxy coated cast aluminum
- Cover — Epoxy coated cast aluminum
- Volute — Nylon
- Impeller — Nylon
- Shaft Seal — Viton®
- Screen — Nylon

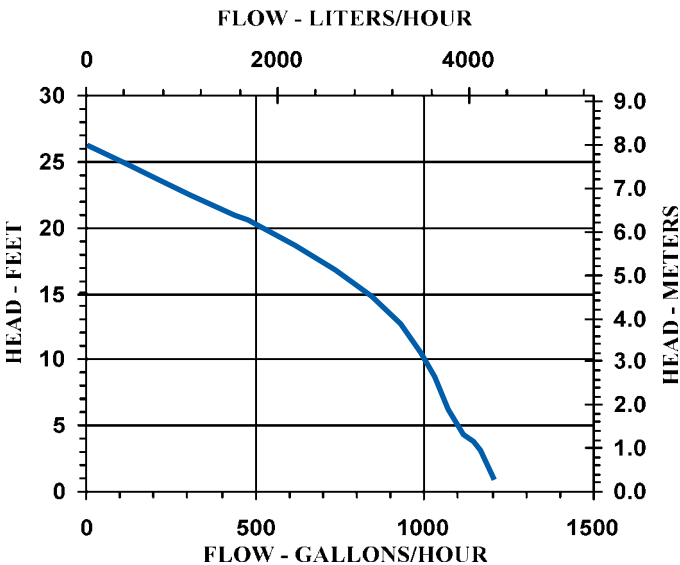
Little Giant's most versatile portable utility pump with oil-filled motor and epoxy coated cast aluminum housing. For commercial, industrial and home applications including statuary fountains, water displays, air conditioners, machine tool coolants, and many other applications where liquid must be transferred or recirculated. Pumps down to 1/8". This 1200 GPH pump features a 1" FNPT discharge with garden hose adaptor, 26.3' shut-off head capability, and screened inlet.

5-MSP SERIES



Specifications

| Model No. | Item No. | Discharge | Intake | Listing(s) | HP | Volts | Hz. | Amps | Watts | Performance (GPH@Head) | | | | | Shutoff | | Cord Length (ft.) | Weight (lbs.) |
|-----------|----------|-----------|----------|------------|-----|-------|-----|------|-------|------------------------|------|------|------|-----|---------|--------|-------------------|---------------|
| | | | | | | | | | | 1' | 3' | 5' | 10' | 20' | Ft. | P.S.I. | | |
| 5-MSP | 505000 | 1" FNPT | Screened | UL | 1/6 | 115 | 60 | 5.0 | 380 | 1200 | 1170 | 1100 | 1000 | 520 | 26.3 | 11.4 | 10 | 8.25 |
| 5-MSP | 505086 | 1" FNPT | Screened | UL/CSA | 1/6 | 115 | 60 | 5.0 | 380 | 1200 | 1170 | 1100 | 1000 | 520 | 26.3 | 11.4 | 10 | 8.25 |
| 5-MSP | 505176 | 1" FNPT | Screened | UL/CSA | 1/6 | 115 | 60 | 5.0 | 380 | 1200 | 1170 | 1100 | 1000 | 520 | 26.3 | 11.4 | 18 | 8.50 |
| 5-MSP | 505025 | 1" FNPT | Screened | — | 1/6 | 115 | 60 | 5.0 | 380 | 1200 | 1170 | 1100 | 1000 | 520 | 26.3 | 11.4 | 25 | 8.75 |
| 5-MSP | 505500 | 1" FNPT | Screened | — | 1/6 | 127 | 60 | 5.0 | 380 | 1200 | 1170 | 1100 | 1000 | 520 | 26.3 | 11.4 | 10 | 8.25 |
| 5-MSP | 505501 | 1" FNPT | Screened | — | 1/6 | 127 | 60 | 5.0 | 380 | 1200 | 1170 | 1100 | 1000 | 520 | 26.3 | 11.4 | 18 | 8.50 |
| 5-MSP | 505202 | 1" FNPT | Screened | SASO | 1/6 | 230 | 60 | 2.5 | 380 | 1200 | 1170 | 1100 | 1000 | 520 | 26.3 | 11.4 | 12 | 8.25 |



Replacement Parts

| | |
|--------------------|--------|
| Volute | 105200 |
| Screen | 105900 |
| Impeller | 105310 |
| Handle | 105911 |
| Adapter (GH) | 599030 |
| Seal Ring (volute) | 928024 |