

Little GIANT®

Franklin Electric Co., Inc.
 P. O. Box 12010
 Oklahoma City, OK 73157-2010
 405.947.2511 • Fax: 405.947.8720
 www.LittleGiantPump.com
 CustomerService-WTS@fele.com

2E-NDVR



INTRODUCTION

This instruction sheet provides you with the information required to safely own and operate your Little Giant pump. Retain these instructions for future reference.

The Little Giant pump you have purchased is of the highest quality workmanship and material, and has been engineered to give you long and reliable service. Little Giant pumps are carefully tested, inspected, and packaged to ensure safe delivery and operation. Please examine your pump carefully to ensure that no damage occurred during shipment. If damage has occurred, please contact the place of purchase. They will assist you in replacement or repair, if required.

READ THESE INSTRUCTIONS CAREFULLY BEFORE ATTEMPTING TO INSTALL, OPERATE, OR SERVICE YOUR LITTLE GIANT PUMP. KNOW THE PUMP'S APPLICATION, LIMITATIONS, AND POTENTIAL HAZARDS. PROTECT YOURSELF AND OTHERS BY OBSERVING ALL SAFETY INFORMATION. FAILURE TO COMPLY WITH THESE INSTRUCTIONS COULD RESULT IN PERSONAL INJURY AND/OR PROPERTY DAMAGE!

SAFETY GUIDELINES



During installation, follow all local electrical and safety codes, as well as the National Electrical Code (NEC) and the Occupational Safety and Health Act (OSHA).

For maximum safety, this pump should be connected to a three-prong grounded outlet equipped with a ground fault circuit interrupter (GFCI) device.

Do not use to pump flammable or explosive fluids such as gasoline, fuel oil, or kerosene. Pump should only be used with liquids compatible with pump component materials.

Do not handle a pump or pump motor with wet hands or when standing on a wet or damp surface, or in water. Do not stand in water while changing fuses or insert your finger into the fuse socket. Failure to follow this warning can result in fatal electrical shock.

PUMP CONSTRUCTION

The Little Giant 2E-NDVR is designed for in-line use. The pump consists of an aluminum diecast housing, aluminum seal plate, nylon impeller and volute, stainless steel backplate, and Viton® gasket. The pump uses a two-seal design. The seals are double lip radial design type. One is mounted in the aluminum pump housing, the other is in the aluminum seal plate. The exposed motor shaft is stainless steel. The discharge is threaded (1/4" MNPT), the intake is also threaded (3/8" FNPT). An adapter is included for the intake for 1/2" ID tubing.

The pump is designed for weak acids, mild chemicals, cleaning solvents, antifreeze, and potable fluids compatible with pump materials.

The 2E-NDVR can be used submerged when pumping water or machine oils and should only be used in-line (not submerged) when pumping weak acids. This pump is not self priming; it must be installed so that the pump head (volute) is flooded when the pump is started. That is, the inlet of the pump must be below the level of the surface of the liquid being pumped (Figure 1).

SERVICE INSTRUCTIONS



CAUTION: Before servicing the pump, disconnect it from electrical service by unplugging the power cord, removing the fuse, or turning off the disconnect box.

1. If your pump fails to operate properly, remove it from water and try it at another electrical outlet to make sure that power is getting to unit.
2. If the pump does not start:
 - a) Disconnect it from electrical service and remove the screen from the pump.
 - b) Remove the 3 screws (item #5) in Figure 2. DO NOT remove any other screws.
 - c) Remove the volute.
 - d) Lightly clean any corrosion or debris which may have clogged the impeller. Use a brush and penetrating oil and lightly scrape to remove encrusted material.
 - e) Turn the impeller by hand to make sure that it turns freely.
 - f) Plug the unit in to see if the impeller will turn.
3. If the pump operates properly, replace the parts in reverse order and test the unit in water. The unit should operate properly when connected to correct voltage.
4. If the pump still does not operate properly, call your dealer or service person.

DO NOT open the sealed portion of the unit or remove screws other than those indicated above. DO NOT cut the electric cord off short when removing the unit from the application. Disconnect the pump from its regular connections. Failure to follow these guidelines may void the warranty.

Figure 1

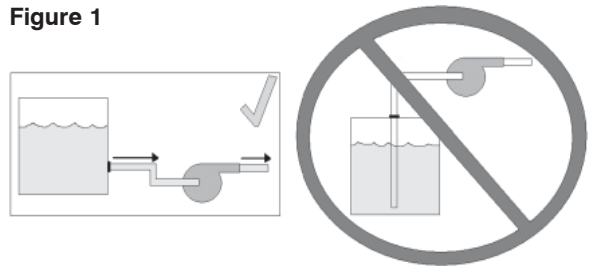
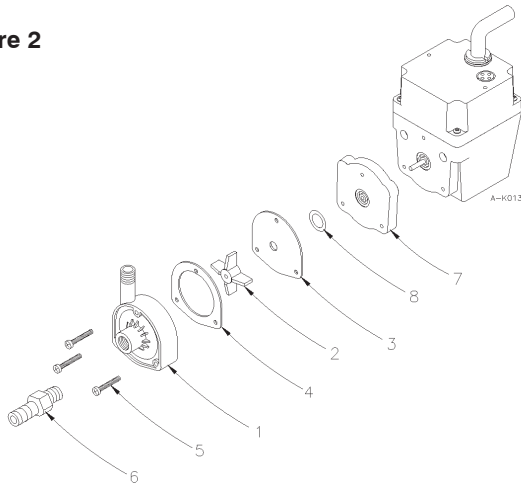


Figure 2



REPLACEMENT PARTS			
ITEM NO.	PART NO.	DESCRIPTION	QTY.
1	102334	Volute, 3/8" NPT	1
2	102437	Impeller assembly	1
3	102507	Backplate	1
4	102601	Gasket, front	1
5	901409	Screw #8-32 x 15/8"	3
6	941005	Adaptor, 3/8" MNPT x 1/2" O.D.	1
7	102512	Plate, seal	1
8	924005	Seal, O-ring	1

NOTE: Parts list applies to products shown. Other models are available, however, parts may vary. For other models, contact parts depot, factory or distributor for replacement parts. Be sure to give the six digit product number and model number when requesting parts.

LITTLE GIANT WARRANTY STATEMENT

Your Little Giant product is guaranteed to be in perfect condition when it leaves our factory. It is warranted against defective materials and workmanship for a period of 12 months (90 day warranty on Models: 1-AA-OM, GKPK-SC, PP-1, PPS-1, PP-12, PPS-12, PP-230 and Cooler King) from date of purchase by the user. No warranty on brush wear in Model 35-OM and impeller or cam in Models PP-1, PP-12, and PP-230. Any product that should fail for either of the above two reasons and is still within the warranty period, will be repaired or replaced if returned prepaid to our factory. All defective products returned under warranty will be fully inspected to determine "CAUSE OF FAILURE" before any warranty is approved. Little Giant will honor the warranty within the warranty time period specified on satisfactory written proof of purchase. **DISCLAIMER:** Any oral statements about the product made by the seller, the manufacturer, the representatives or any other parties, do not constitute warranties, shall not be relied upon by the user, and are not part of the contract for sale. Seller's and manufacturer's only obligation, and buyer's only remedy, shall be the replacement and/or repair by the manufacturer of the product as described above. Neither seller nor the manufacturer shall be liable for any injury, loss or damage, direct, incidental or consequential (including, but not limited to, incidental or consequential damages for lost profits, lost sales, injury to person or property, or any other incidental or consequential loss), arising out of the use or the inability to use the product, and the user agrees that no other remedy shall be available to it. Before using, the user shall determine the suitability of the product for his

intended use, and user assumes all risk of liability whatsoever in connection therewith. The warranty and remedy described in this limited warranty is an **EXCLUSIVE** warranty and remedy and is **IN LIEU OF** any other warranty or remedy, expressed or implied, which other warranties and remedies are hereby expressly **EXCLUDED**, including but not limited to any implied warranty of **MERCHANTABILITY OR FITNESS FOR A PARTICULAR PURPOSE**. Some states do not allow the exclusive or limitation of incidental or consequential damages, so the above limitation or exclusion may not apply to you. This warranty gives you specific legal rights, and you may also have other rights which vary from state to state. Warranty will be **VOID** if any of the following conditions are found:

1. Sealed motor housing opened.
2. Product connected to voltage other than indicated on name plate.
3. Cord cut off to a length less than three feet.
4. Pump allowed to operate dry (fluid supply cut off).
5. Pump used to circulate anything other than fresh water, light oils, or other mild liquids at approximately room temperature.
6. Product abuse by customer.

The National Electric Code requires a ground fault circuit interrupter (GFCI) be installed in the branch circuit supplying fountain equipment rated above 15 volts. Little Giant offers a variety of GFCI's and recommends each pump be used with a GFCI.

For parts or repair, please contact 1.888.572.9933
 For technical assistance, please contact 1.888.956.0000

www.LittleGiantPump.com
CustomerService-WTS@fele.com