

# Little GIANT<sup>®</sup>

## Pump Company

### 1-YS SERIES



#### Features

- Oil-filled Aluminum Housing
- Nylon volute & impeller
- Conduit fitting for mounting
- Submerged use only in parts washers
- Double-lip Viton<sup>®</sup> shaft seal
- For use with UL (PJQU) solvents
- 205 GPH @ 1
- 6 foot cord, no plug
- Thermally protected

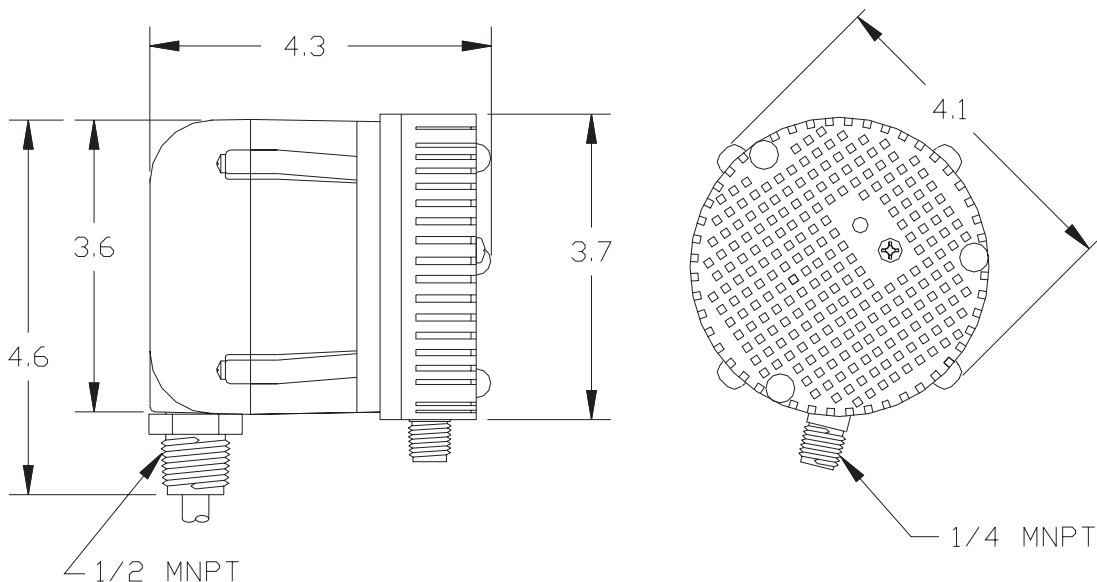
#### Construction

- Motor — 1/150 HP
- Intermittent Liquid Temp. up to — 120° F
- Intake — N/A
- Discharge — 1/4" MNPT
- Housing — Aluminum
- Cover — Aluminum
- Volute — Nylon
- Impeller — Nylon
- Shaft Seal — Viton<sup>®</sup>
- Screen — Polyethylene

Oil-filled cast aluminum submersible pump for use with stoddard solvent and deodorized kerosene submerged parts washer applications only. Sealed unit has double-lip Viton<sup>®</sup> seal and nylon volute with 1/4" MNPT discharge. 6 foot power cord without plug has "Master Builders" conduit fitting at pump housing for mounting.

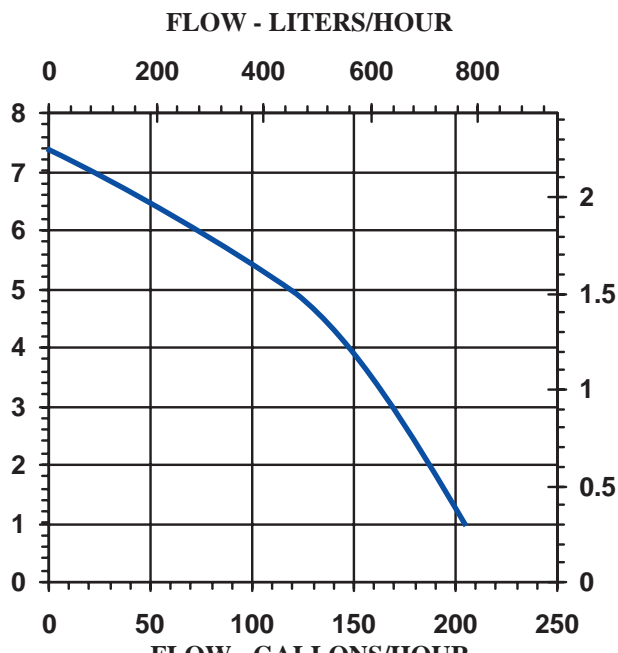
# Little Giant Pump Co.

## 1-YS SERIES



### Specifications

Model No.	Item No.	Discharge Size	Listings	HP	Volts	Hertz	Amps	Watts	Performance (GPH @ Head)			Shut Off		Pwr. Cord (ft)	Weight (Lbs.)
									1'	3'	5'	Feet	PSI		
1-YS	501020	1/4" MNPT	UR/C-CSA	1/150	115	60	1.1	70	205	168	120	7.4	3.2	6	3.50
1-YS	501036	1/4" MNPT		1/150	230	50/60	0.6	70	205	168	120	7.4	3.2	6	3.50



### Replacement Parts

Volute	101351
Impeller	101433
Screen	101903

---

For technical advice or service please take your pump into your local pump service center.  
To order pump or parts or for pricing please go to the following links :

[Little Giant Pumps Home >>](#)

[Little Giant Pumps stock list >>](#)