

Little GIANT®

1-YS SERIES



Features

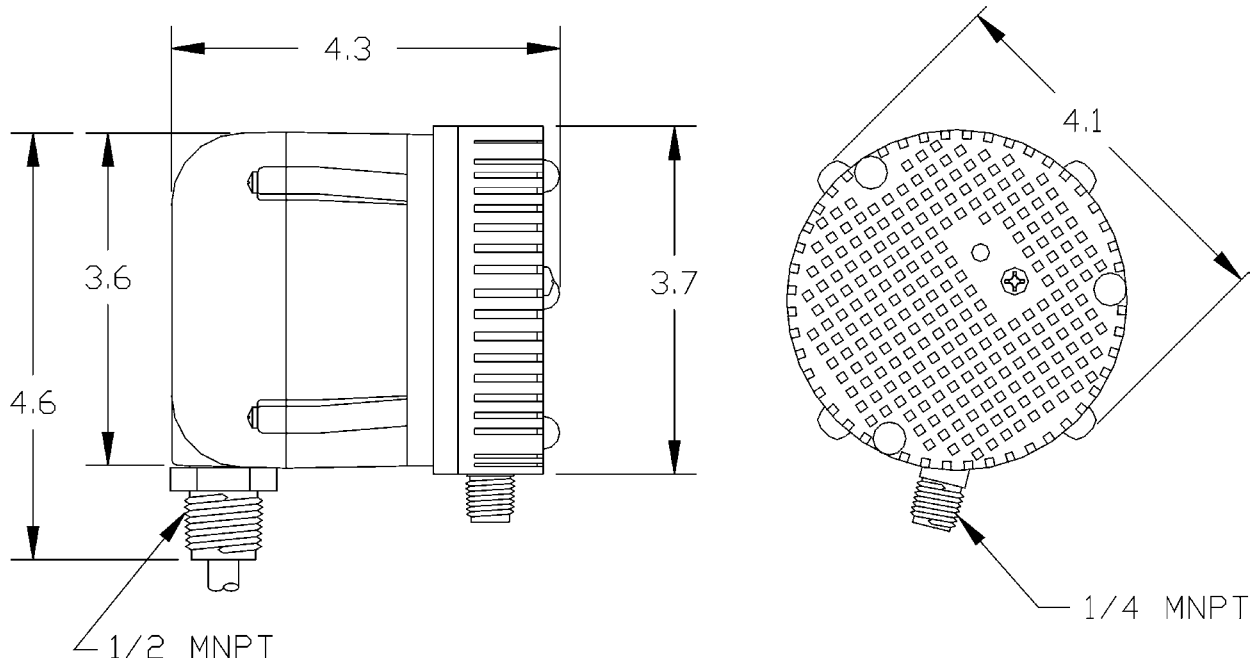
- Oil-filled aluminum housing
- Nylon volute & impeller
- Conduit fitting for mounting
- Submerged use only in parts washers
- Triple-lip Viton® shaft seal
- For use with UL (PJQU) solvents
- 205 GPH @ 1'
- 6' cord, no plug
- Thermally protected

Construction

- Motor — 1/150 HP
- Intake — Screened
- Discharge — 1/4" MNPT
- Housing — Aluminum
- Cover — Aluminum
- Volute — Nylon
- Impeller — Nylon
- Shaft Seal — Viton®
- Screen — Polyethylene

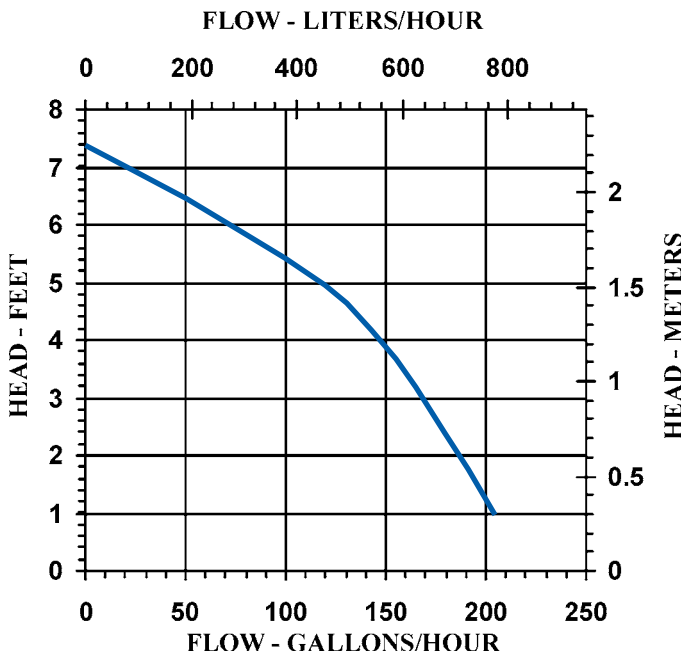
Oil-filled cast aluminum submersible pump for use with stoddard solvent and deodorized kerosene submerged parts washer applications only. Sealed unit has double-lip Viton® seal and nylon volute with 1/4" MNPT discharge. 6' power cord without plug has "Master Builders" conduit fitting at pump housing for mounting. For pumping unheated metal parts cleaning solvent which is UL classified as PJQU, as described in the Gas and Oil Equipment Directory. These refined petroleum distillates are free from tendency to heat spontaneously; they have a closed cup flash point not lower than 100°F. Thermally protected.

1-YS SERIES



Specifications

Model No.	Item No.	Discharge Size	Listing	HP	Volts	Hertz	Amps	Watts	Performance (GPM@Head)			Shutoff		Cord Length (ft.)	Weight (lbs.)
									1'	3'	5'	Ft.	P.S.I.		
1-YS	501020	1/4" MNPT	UR/C-CSA	1/150	115	60	1.1	70	205	168	120	7.4	3.2	6	3.5
1-YS	501036	1/4" MNPT		1/150	230	50/60	0.6	70	205	168	120	7.4	3.2	6	3.5



Replacement Parts

Volute	101351
Impeller	101433
Screen	101903