

Little GIANT[®]

Pump Company

2E-38N SERIES



Features

- For submersed or in-line use
- Epoxy coated die-cast aluminum housing
- Oil-filled motor
- 11.8' maximum lift
- 100 watts
- 1/4" MNPT discharge
- Thermal overload protection

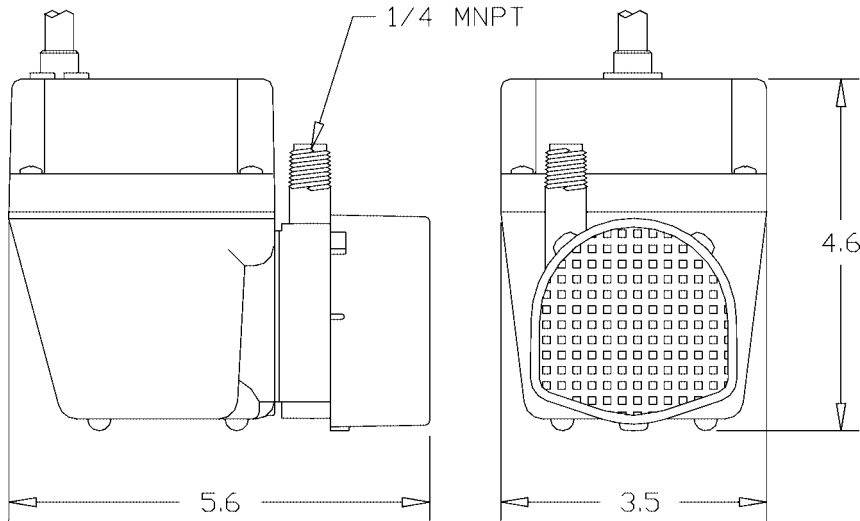
Construction

- Motor — 1/40 HP Oil Filled
- Maximum Flow Rate — 300 GPH @ 1'
- Maximum Head — 11.8'
- Intermittent Liquid Temp. up to — 120° F
- Intake — 3/8" FNPT
- Discharge — 1/4" MNPT
- Housing — Epoxy coated cast aluminum
- Cover — Epoxy coated cast aluminum
- Volute — Nylon
- Impeller — Nylon
- Shaft Seal — Nitrile
- Screen — Polypropylene

Dual purpose oil-filled pump that may be used totally submersed or in-line (fed with pipe or hose). For commercial, industrial and home applications including statuary fountains, water displays, air conditioners, machine tool coolants, and many other applications where liquid must be transferred or recirculated. This

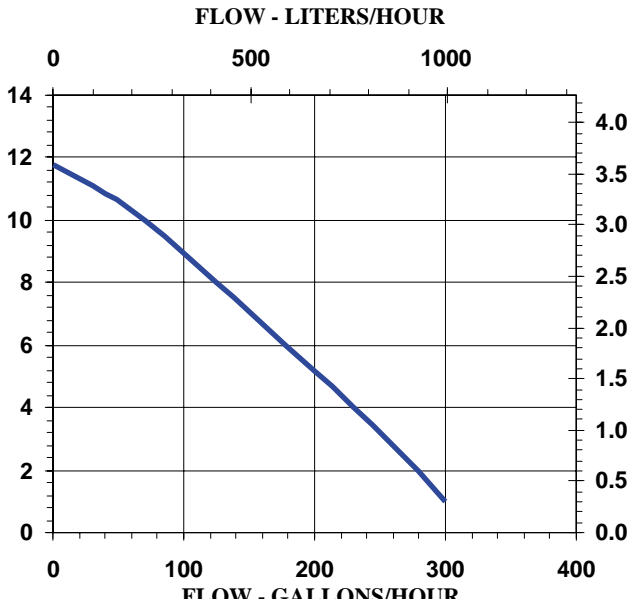
Little Giant Pump Co.

2E-38N SERIES



Specifications

| Model No. | Item No. | Discharge | Intake | Listing(s) | HP | Volts | Hertz | Amps | Watts | Performance (GPH @ Head) | | | | Shut Off | | Pwr. Cord (ft) | Weight (Lbs.) |
|-----------|----------|-----------|-----------|------------|------|-------|-------|------|-------|--------------------------|-----|-----|-----|----------|-----|----------------|---------------|
| | | | | | | | | | | 1' | 3' | 5' | 10' | Feet | PSI | | |
| 2E-38N | 502203 | 1/4" MNPT | 3/8" FNPT | UL | 1/40 | 115 | 60 | 1.7 | 100 | 300 | 255 | 205 | 70 | 11.8 | 5.1 | 6 | 4.83 |
| 2E-38N | 502403 | 1/4" MNPT | 3/8" FNPT | UL | 1/40 | 115 | 60 | 1.7 | 100 | 300 | 255 | 205 | 70 | 11.8 | 5.1 | 6 | 4.83 |
| 2E-38NT | 502286 | 1/4" MNPT | 3/8" FNPT | UL/CSA | 1/40 | 115 | 60 | 1.7 | 100 | 300 | 255 | 205 | 70 | 11.8 | 5.1 | 10 | 5.00 |
| 2E-38N | 502500 | 1/4" MNPT | 3/8" FNPT | | 1/40 | 127 | 60 | 1.7 | 100 | 300 | 255 | 205 | 70 | 11.8 | 5.1 | 6 | 4.83 |
| 2E-38NY | 502216 | 1/4" MNPT | 3/8" FNPT | UR/C-CSA | 1/40 | 230 | 50/60 | .9/7 | 100 | 300 | 255 | 205 | 70 | 11.8 | 5.1 | 12 | 5.17 |



Replacement Parts

| | |
|----------|--------|
| Volute | 102334 |
| Impeller | 102470 |
| Screen | 102909 |
| Gasket | 102601 |

For technical advice or service please take your pump into your local pump service center.
To order pump or parts or for pricing please go to the following links :

[Little Giant Pumps Home >>](#)

[Little Giant Pumps stock list >>](#)