

Little GIANT Pump Company

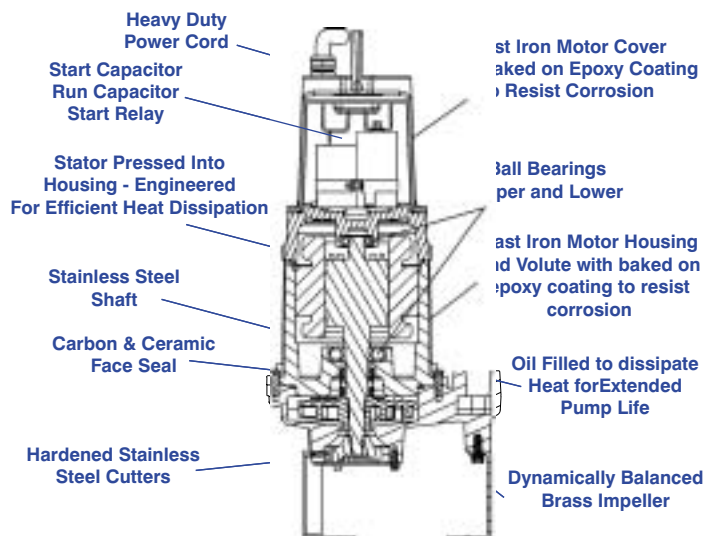
20G SERIES AUTOMATIC GRINDER



The “Magnum™” Grinder Pumps Series have an exclusive cutter assembly that cuts sewage and stringy materials into tiny particles, eliminating roping and clogging that may occur in other pumps, producing a fine slurry that passes easily through the system. Compared to standard sewage pumps, this allows use of smaller diameter discharge pipes, smaller pumps and less electricity, reducing installation and operating costs.

Features

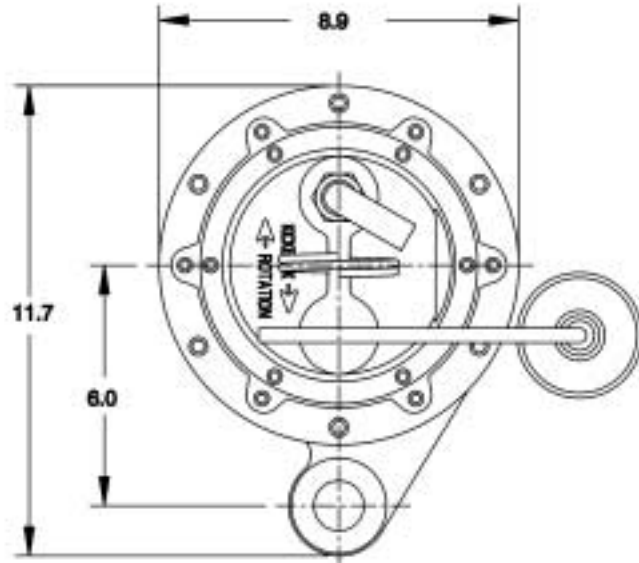
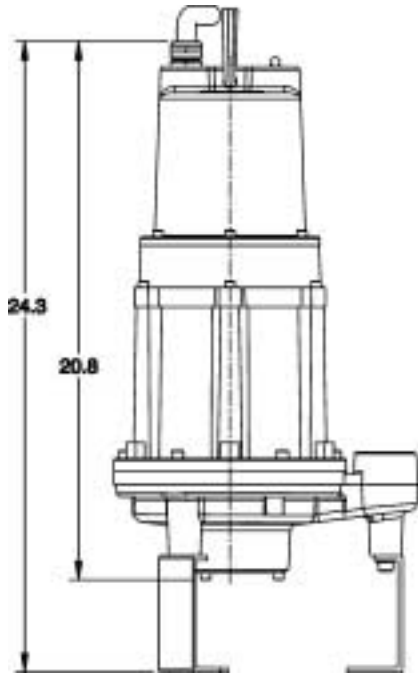
- Powerful automatic 2HP, 3450 RPM, capacitor start, capacitor run, thermally protected motor to handle the demands of grinding domestic sewage
- Mechanical Float switch included. Piggyback plug on low-head models.
- Start/run components encased in pump housing; requires no control panel
- Oil-filled motor features upper and lower ball bearings, permanently lubricated for years of smooth, dependable operation
- Rugged cast-iron motor housing and volute are epoxy coated for corrosion resistance and durability
- Stainless steel cutter assembly designed to reduce solids to a slurry, for pumping through smaller diameter pipe than other types of systems
- Maximum flow 65 GPM
- Available in 200-208 or 230 volts, single phase
- Heavy duty 20' power cord
- Every unit is thoroughly tested before it ships from Little Giant Pump Company



Because the Magnum™ Grinder pumps do not need to pass large solids, they can efficiently pump a greater distance in

Little Giant Pump Co.

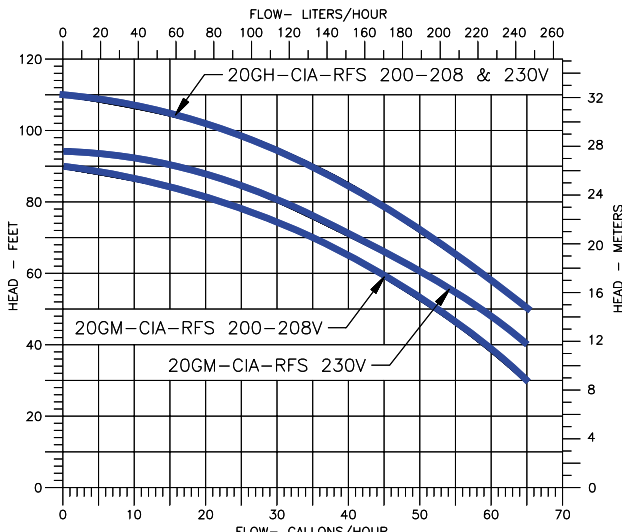
20G SERIES AUTOMATIC GRINDER



Specifications

MODEL NO.	ITEM NO.	LISTING	HP	VOLTS	Hz	FULL LOAD AMPS/WATTS	PERFORMANCE (GPM@HEAD)								SHUTOFF	R.S.I.	WEIGHT (lbs.)
							30'	40'	50'	60'	70'	80'	90'				
20GM-CIA-RFS	520510	UL/CSA	2	230	60	15/3370	—	65	58	50	42	30	16	95	41.13	117	
20GM-CIA-RFS	520535	UL/CSA	2	200-208	60	15/2925	65	57	53	45	35	23	—	90	38.96	117	
20GH-CIA-RFS	520610	UL/CSA	2	230	60	18/4060		65	58	52	44	35	110'	47.62	117		
20GH-CIA-RFS	520635	UL/CSA	2	200-208	60	20.0/4045		65	58	52	44	35	110'	47.62	117		

*20' Power cord on all models



Construction

Motor Housing	Epoxy-Coated Cast Iron
Impeller	Bronze Vortex
Volute	Epoxy-Coated Cast Iron
Power Cord	12/3 SOW-A/SOW (20GH-CIA-RFS)
Power Cord	14/3 SOW-A/SOW (20GM-CIA-RFS)
Mechanical Shaft Seal	Carbon & Ceramic
Fasteners	Stainless Steel
Shaft	Stainless Steel
Bearings	Heavy duty continuously oil-lubricated upper and lower ball bearings
Cutter System	Hardened 440C Stainless Steel radial cutter and cutter ring
Discharge Size	1 1/4" FNPT

For technical advice or service please take your pump into your local pump service center.
To order pump or parts or for pricing please go to the following links :

[Little Giant Pumps Home >>](#)

[Little Giant Pumps stock list >>](#)