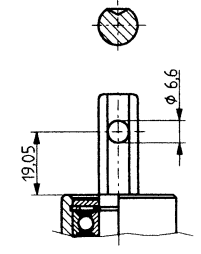
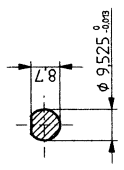
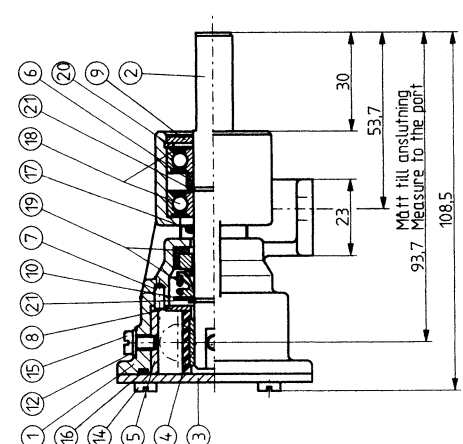
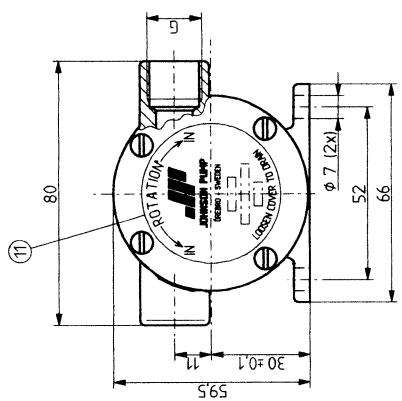


Dimensions in mm Tolerance unless stated	Dimensions in inches Tolerance unless stated
±0.12/0.05	±0.005



Drawing no.	Part name	Material	Quantity	Notes
10-24569-01	F35B-8	Cast bronze	1	
10-24569-02	F35B-89	Cast bronze	1	
10-24569-03	F35B-802	Cast bronze	1	
10-24569-04	F35B-897	Cast bronze	1	
10-24569-05	F35B-803	Cast bronze	1	
10-24569-06	F35B-893	Cast bronze	1	
10-24569-07	F35B-807	Cast bronze	1	
10-24569-08	F35B-897	Cast bronze	1	
10-24569-09	F35B-807	Cast bronze	1	
10-24569-10	F35B-897	Cast bronze	1	
10-24569-11	F35B-807	Cast bronze	1	
10-24569-12	F35B-897	Cast bronze	1	
10-24569-13	F35B-8	Cast bronze	1	
10-24569-14	F35B-89	Cast bronze	1	
10-24569-15	F35B-802	Cast bronze	1	
10-24569-16	F35B-892	Cast bronze	1	
10-24569-17	F35B-803	Cast bronze	1	
10-24569-18	F35B-893	Cast bronze	1	
10-24569-19	F35B-807	Cast bronze	1	
10-24569-20	F35B-897	Cast bronze	1	
10-24569-21	F35B-807	Cast bronze	1	
10-24569-22	F35B-897	Cast bronze	1	
10-24569-23	F35B-807	Cast bronze	1	
10-24569-24	F35B-897	Cast bronze	1	

10-24569-01/-12

10-24569-51/-52

10-24569-53/-54

10-24569-13/-24

Part name and drawing no. in this list

Part no.	Part name	Material	Quantity	Notes
10-24569-51	F35B-807	Cast bronze	1	
10-24569-52	F35B-807	Cast bronze	1	
10-24569-53	F35B-807	Cast bronze	1	
10-24569-54	F35B-807	Cast bronze	1	

Part no.	Part name	Material	Quantity	Notes
A03	10-24569-53/-54, tillkom. Pos. B utveck.	LU	000811	
A02	Erfoligt tillkom.	UF	990909	

Part no.	Part name	Material	Quantity	Notes
03-24569	Johnson Impellerpump F35B-8	Cast bronze	1	

Part no.	Part name	Material	Quantity	Notes
03-24569	Johnson Impellerpump F35B-8	Cast bronze	1	

Part no.	Part name	Material	Quantity	Notes
03-24569	Johnson Impellerpump F35B-8	Cast bronze	1	

Part no.	Part name	Material	Quantity	Notes
03-24569	Johnson Impellerpump F35B-8	Cast bronze	1	

Part no.	Part name	Material	Quantity	Notes
03-24569	Johnson Impellerpump F35B-8	Cast bronze	1	

Part no.	Part name	Material	Quantity	Notes
03-24569	Johnson Impellerpump F35B-8	Cast bronze	1	



Assembly drawing No. 03-24569

F35B-8 Impeller Pump OEM / Art. No. 10-24569-01

Position	Quantity	Part No.	Description
1	1	01-35881-1	BODY F35B-8
2	1	01-46735-1	SHAFT F35/F4B-8
3	1	01-46739-2	ENDCOVER F35B NEUTRAL
4	1	08-808B	IMPELLER
5	1	01-42910	CAM 1/1 F35B-
6	1	01-45542	SPACER F35B-902
7	1	01-42400	PIN F35B-/F7B/F70B
8	1	01-46676	WEAR PLATE F35B-8 SS
9	1	01-45049	PLATE F35/F4B-8
10	1	01-45659	WASHER F4B-8/-9
11	1	01-46797	LABEL
12	1	01-46790-01	WASHER D7.5XD4X1 CU
14	4	0.0279.300	SCREW M4X8 ISO1207 A4
15	1	01-46794-03	SCREW 8-32UNCX8
16	1	0.2173.440	O-RING 42X2 NBR70
17	1	0.2173.432	O-RING 11.3X2.4 SS1586 NBR70
18	2	0.3431.748	BALL BEARING 6001 2 RS1 ST
19	1	0.2247.021	MECH.SEAL COMPL D12
20	1	0.0371.028	INT. CIRCLIP D28 DIN472 ST
21	2	0.0370.012	EXT. CIRCLIP D12 DIN471 ST
0	1	01-46027-1	LABEL DRY RUNNING (4-LANG.)
0	1	0.3444.001	CARTON NO. 1 170X135X 90
0	1	IB-501/01	INSTR.MANUAL FB-8 SERIES

Assembly Drawing No. 03-24569

F35B-8 Impeller Pump OEM / Art. No. 10-24569-13

Position	Quantity	Part No.	Description
1	1	01-35881-1	BODY F35B-8
2	1	01-46735-1	SHAFT F35/F4B-8
3	1	01-46739-2	ENDCOVER F35B NEUTRAL
4	1	08-808B	IMPELLER
5	1	01-42910	CAM 1/1 F35B-
6	1	01-45542	SPACER F35B-902
7	1	01-42400	PIN F35B-/F7B/F70B
8	1	01-46676	WEAR PLATE F35B-8 SS
9	1	01-45049	PLATE F35/F4B-8
11	1	01-46797	LABEL
12	1	01-46790-01	WASHER D7.5XD4X1 CU
14	4	0.0279.300	SCREW M4X8 ISO1207 A4
15	1	01-46794-03	SCREW 8-32UNCX8
16	1	0.2173.440	O-RING 42X2 NBR70
17	1	0.2173.432	O-RING 11.3X2.4 SS1586 NBR70
18	2	0.3431.748	BALL BEARING 6001 2 RS1 ST
19	1	0.2233.010	LIP SEAL 12X24X7 DPSM
20	1	0.0371.028	INT. CIRCLIP D28 DIN472 ST
21	1	0.0370.012	EXT. CIRCLIP D12 DIN471 ST
0	1	0.3444.001	CARTON NO. 1 170X135X 90
0	1	01-46027-1	LABEL DRY RUNNING (4-LANG.)
0	1	IB-501/01	INSTR.MANUAL FB-8 SERIES