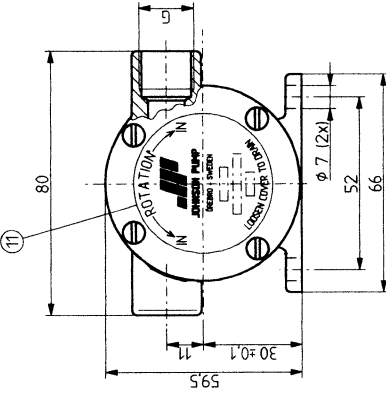
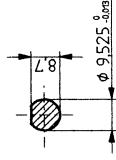


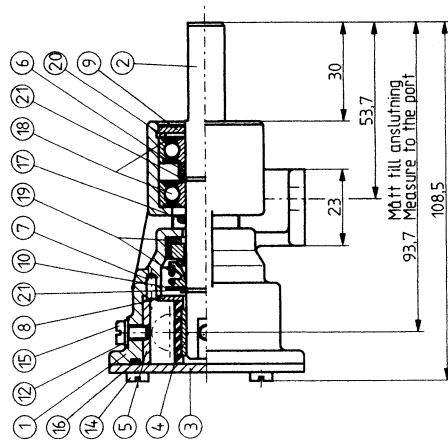
Dimensions in mm Tolerance unless stated	Dimensions in inches Tolerance unless stated
±0.12/0.5	±0.005/0.020



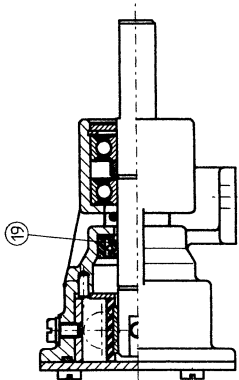
10-24569-01/-24



10-24569-51/-52



10-24569-01/-12



10-24569-13/-24

Ring of Pump	Part no. / Part name	Material	Dimensions	Notes
1	10-24569-01	F35B-8		
2	10-24569-02	F35B-8		
3	10-24569-03	F35B-8		
4	10-24569-04	F35B-8		
5	10-24569-05	F35B-8		
6	10-24569-06	F35B-8		
7	10-24569-07	F35B-8		
8	10-24569-08	F35B-8		
9	10-24569-09	F35B-8		
10	10-24569-10	F35B-8		
11	10-24569-11	F35B-8		
12	10-24569-12	F35B-8		
13	10-24569-13	F35B-8		
14	10-24569-14	F35B-8		
15	10-24569-15	F35B-8		
16	10-24569-16	F35B-8		
17	10-24569-17	F35B-8		
18	10-24569-18	F35B-8		
19	10-24569-19	F35B-8		
20	10-24569-20	F35B-8		
21	10-24569-21	F35B-8		
22	10-24569-22	F35B-8		
23	10-24569-23	F35B-8		
24	10-24569-24	F35B-8		
25	10-24569-25	F35B-8		
26	10-24569-26	F35B-8		
27	10-24569-27	F35B-8		
28	10-24569-28	F35B-8		
29	10-24569-29	F35B-8		
30	10-24569-30	F35B-8		
31	10-24569-31	F35B-8		
32	10-24569-32	F35B-8		
33	10-24569-33	F35B-8		
34	10-24569-34	F35B-8		

Dimensions in mm unless stated otherwise

Copyright 2000 Johnson Pump AB, Döberebs Sweden

Part no.	10-24569-01
Part name	Johnson Impeller Pump F35B-8
Material	F35B-8
Dimensions	80x59.5x30
Weight	0.12 kg
Notes	See drawing for details

Part no.	10-24569-53/-54
Part name	Impeller
Material	LU
Dimensions	19x19x19
Weight	0.01 kg

Multipurpose

Assembly drawing No. 03-24569

F35B-8 Impeller Pump OEM / Art. No. 10-24569-01

Position	Quantity	Part No.	Description
1	1	01-35881-1	BODY F35B-8
2	1	01-46735-1	SHAFT F35/F4B-8
3	1	01-46739-2	ENDCOVER F35B NEUTRAL
4	1	08-808B	IMPELLER
5	1	01-42910	CAM 1/1 F35B-
6	1	01-45542	SPACER F35B-902
7	1	01-42400	PIN F35B-/F7B/F70B
8	1	01-46676	WEAR PLATE F35B-8 SS
9	1	01-45049	PLATE F35/F4B-8
10	1	01-45659	WASHER F4B-8/-9
11	1	01-46797	LABEL
12	1	01-46790-01	WASHER D7.5XD4X1 CU
14	4	0.0279.300	SCREW M4X8 ISO1207 A4
15	1	01-46794-03	SCREW 8-32UNCX8
16	1	0.2173.440	O-RING 42X2 NBR70
17	1	0.2173.432	O-RING 11.3X2.4 SS1586 NBR70
18	2	0.3431.748	BALL BEARING 6001 2 RS1 ST
19	1	0.2247.021	MECH.SEAL COMPL D12
20	1	0.0371.028	INT. CIRCLIP D28 DIN472 ST
21	2	0.0370.012	EXT. CIRCLIP D12 DIN471 ST
0	1	01-46027-1	LABEL DRY RUNNING (4-LANG.)
0	1	0.3444.001	CARTON NO. 1 170X135X 90
0	1	IB-501/01	INSTR.MANUAL FB-8 SERIES

Assembly Drawing No. 03-24569

F35B-8 Impeller Pump OEM / Art. No. 10-24569-13

Position	Quantity	Part No.	Description
1	1	01-35881-1	BODY F35B-8
2	1	01-46735-1	SHAFT F35/F4B-8
3	1	01-46739-2	ENDCOVER F35B NEUTRAL
4	1	08-808B	IMPELLER
5	1	01-42910	CAM 1/1 F35B-
6	1	01-45542	SPACER F35B-902
7	1	01-42400	PIN F35B-/F7B/F70B
8	1	01-46676	WEAR PLATE F35B-8 SS
9	1	01-45049	PLATE F35/F4B-8
11	1	01-46797	LABEL
12	1	01-46790-01	WASHER D7.5XD4X1 CU
14	4	0.0279.300	SCREW M4X8 ISO1207 A4
15	1	01-46794-03	SCREW 8-32UNCX8
16	1	0.2173.440	O-RING 42X2 NBR70
17	1	0.2173.432	O-RING 11.3X2.4 SS1586 NBR70
18	2	0.3431.748	BALL BEARING 6001 2 RS1 ST
19	1	0.2233.010	LIP SEAL 12X24X7 DPSM
20	1	0.0371.028	INT. CIRCLIP D28 DIN472 ST
21	1	0.0370.012	EXT. CIRCLIP D12 DIN471 ST
0	1	0.3444.001	CARTON NO. 1 170X135X 90
0	1	01-46027-1	LABEL DRY RUNNING (4-LANG.)
0	1	IB-501/01	INSTR.MANUAL FB-8 SERIES