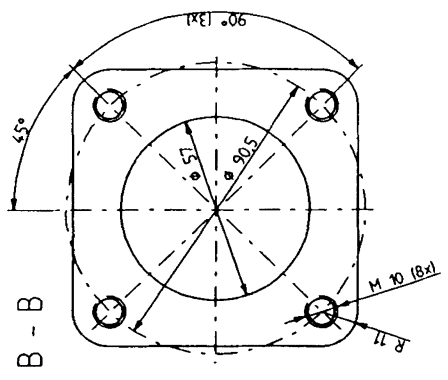
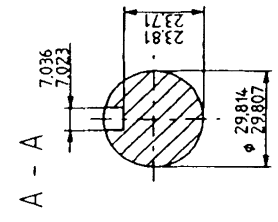


Ritning nr Drawing no	Pump nr/ Pump no	styklista parts list	Pump typ Pump type	Märkning på lock Mark on endcover
03-24430	10-24430-01		F9B -9	Pump typ • pump nr • måttkod Pump type • pump no • month code

Detaljnr enligt stycklista
Part nos according to parts list



JOHNSON PUMP Division - 1-2020		910406	PJ	1-1	P01
Johnson Impellerpump Type F9B-9		03-24430			

P01	000104	P01	001	PJ
-----	--------	-----	-----	----



Assembly drawing No.: 03-24430

F9B-9 Impeller pump OEM / Art. no. 10-24430-01

Position	Quantity	Part Number	Description
1	1	01-13003	Body
2	1	01-24433-1	Bearing housing
3	1	01-35698	Shaft
4	1	01-45018	Cam 1/1
5	1	08-814B	Impeller
6	1	01-42426	Pin
7	1	01-42423	Wear plate
8	1	01-42424	Gasket
9	1	05-34-108	Retaining ring
10	1	05-34-502	Retaining ring
11	1	01-42422-1	End cover
12	1	01-42427-15	Slinger
13	1	05-29-517	Lip seal
14	1	05-20-118	Mechanical seal, compl.
16	1	05-08-505	Ball bearing
17	4	05-02-101	Washer
18	4	05-01-131	Washer
19	4	05-04-128	Screw
20	1	05-04-108	Screw
21	5	05-04-148	Screw
22	1	05-05-524	Lock nut M28x1.5
23	1	05-02-520	Washer