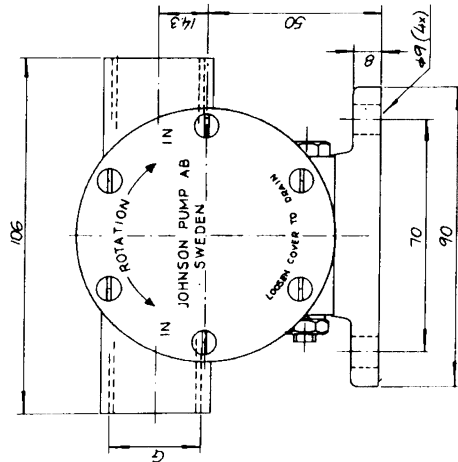
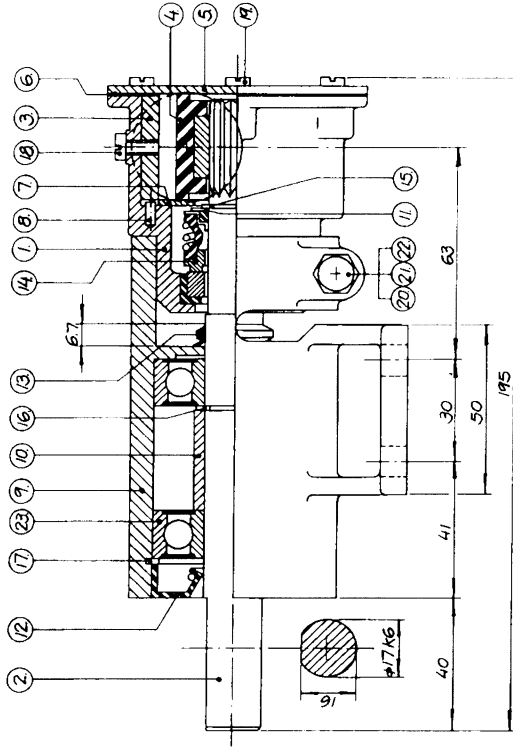


Multipurpose



Pump No. Pump Nr.	Pump type Pumptyp	Impeller Rubberaval. Gummival.	Impeller No. Nr.	Thickness Tjocklek	Cam Kam No. Nr.	Screw Skruv	Body Pumphus	Thread Gångga
10-24210-1	F5B-3000	NBR/EPDM	08-027 B	1/1	4.9	01-42397	01-31927-2	R 3/4"
10-24210-2	F5B-3000	Nitrile	08-027 B-9	1/1	4.9	05-04-117		
10-24210-3	F5B-3020	NBR/EPDM	08-027 B-9	1/2	3.1	01-45014	01-31927-4	3/4"-14 NPTF
10-24210-4	F5B-3020	Nitrile	08-027 B-9	1/1	4.9	05-04-175		
10-24210-5	F5B-3000	NBR/EPDM	08-027 B	1/1	4.9	05-04-117		
10-24210-6	F5B-3000	Nitrile	08-027 B-9	1/1	4.9	05-04-117		
10-24210-7	F5B-3020	NBR/EPDM	08-027 B	1/2	3.1	01-45014		
10-24210-8	F5B-3020	Nitrile	08-027 B-9	1/2	3.1	05-04-175		

Part No. Del nr.	Description Beskrivning	Material Material	Impression Stämp
23	2 Kulölar - Ballbearing		
22	1 Mutter - Nut		
21	1 Bricka - Washer		
20	1 SKRUV - Screw		
19	6 SKRUV - Screw		
18	1 SKRUV - Screw		
17	1 Låsring - Retaining ring		
16	1 Låsring - Retaining ring		
15	1 Låsring - Retaining ring		
14	1 Vex. tåkn. - Mech seal		
13	1 Vex. tåkn. - Mech seal		
12	1 Låpsålin. - Lips seal		
11	1 Bricka - Washer		
10	1 Distansplåt - Spacer		
9	1 Lagerfot - Pedestal		
8	1 Stift - Pin		
7	1 Slitbricka - Wear plate		
6	1 Packning - Gasket		
5	1 Lock - Endcover		
4	1 Impeller		
3	1 Kam - Shaft		
2	1 Axel - Shaft		
1	1 Pumphus - Body		

1. Axel ändrad B60123, TE

Line No. 10-24210
Scale 1:1
Type F5B-3000
Johnson Impeller pump