



a xylem brand

**REMOTE CONTROL  
SEARCHLIGHT**

**FEATURES**

- High Output Halogen Sealed Beam Lamp
- Sleek Design
- Rugged Construction
- Full 360° Rotation
- Weather Resistant Remote Control
- Corrosion Resistant Lexan® Housing
- Supplied with 15 foot Cable with Easy Plug-in Connections



**Model 60080-Series**

**CONTROL 43670-0003**

**APPLICATION**

Ideal for mid-size boats...locate buoys, moorings, channel markers, etc. Ideal for larger motorhomes and bus conversions...pinpoint road signs, campsites, or use as backup light.

**SPECIFICATIONS**

<b>Voltage:</b>	12 Vdc, 24 Vdc
<b>Amps:</b>	4 (12V), 2 (24V)
<b>Elevation Angle (degrees) Up:</b>	30°, Down: 30°
<b>Housing Material:</b>	Lexan
<b>Candle Power:</b>	175,000
<b>Lux Valve:</b>	15@100 meters

	<p><b>WARNING</b></p> <p><b>Burn Hazard.</b> Do not touch lense when light is on. Do not operate with storage cover over light.</p>
--	---

Model Number	Voltage	Amps	Watts	Bulb Type	Weights lb (kg)	Standard Carton
60080-0012	12 Vdc	4	50	SPOT	9 (4.1)	1
60080-0024	24 Vdc	2	50	SPOT	9 (4.1)	1

## INSTALLATION INSTRUCTIONS

### LIGHT MOUNTING

Select a location for the light which will allow clear beam projection forward and as far aft as possible. Searchlight base should be mounted on a level, flat surface. A mounting block between the searchlight base and mounting surface can be used. The block should be contoured to fit the deck so the searchlight base is level. See mounting template attached for plug and cable required clearance.

1. Mount light with foot of base towards the direction of most intended use (front of circular base is marked "front") with gasket under light base.
2. Feed wire through hole and secure light in place.

NOTE: Cable connectors are provided for easy wiring connections.

Mounting hardware is provided;

- 4 – 1/4-20 x 2" (6.5 mm x 50 mm) bolts
- 4 – lockwashers
- 4 – flatwashers

### CONTROL MOUNTING

Choose a location for the main control near the helm which will allow convenient operation. Control may be mounted on vertical, horizontal, or inclined panel.

1. Route power leads (supplied by customer) from the voltage source to control.

NOTE: Wiring must be 16 gauge with a maximum run of 15 feet.

2. Crimp terminals (supplied) onto the power leads,

NOTE: Larger terminal is crimped to positive lead, smaller terminal is crimped to negative lead.

3. Insert wiring cable thru back of hole and plug into control.
4. Use bedding compound or sealant to water-proof control.
5. Secure control with self-tapping screws provided.

### OPTIONAL

#### SECONDARY CONTROL MOUNTING

If an additional control station is desired, use control kit 43670-0004. Mount secondary control in same manner as main control. Mount station selector panel near the main control (flybridge or lower).

1. Cut a 2" x 1-3/8" (51 mm x 35 mm) opening for station selector panel within a 1 foot radius of the control.
2. Route secondary control cable from station selector panel to secondary control location (cable acquired separately—see cable listing).
3. Insert station selector panel thru mounting hole and

attach connectors to mating connectors from control and searchlight. The connector marked "flybridge" to go to flybridge control and the connector marked "lower" to lower control.

The connector to the nearest control can be plugged directly into the control. See diagram.

4. Use bedding compound or sealant to waterproof station selector panel mounting.
5. Secure panel with self-tapping screws provided.



### CIRCUIT PROTECTION

Two (2) automotive blade type fuses are included in the control. One (10 amp) protects the bulb circuit, the other (3 amp) protects the motor circuit. In the event that it should be necessary to replace a fuse, simply pull off the protective cover and slide the fuse out.

### DUAL STATION KIT

Model		Kit
60080-0012	12V	43670-0004
60080-0024	24V	43670-0004

\*NOTE: A 15' wiring cable is provided with each light.

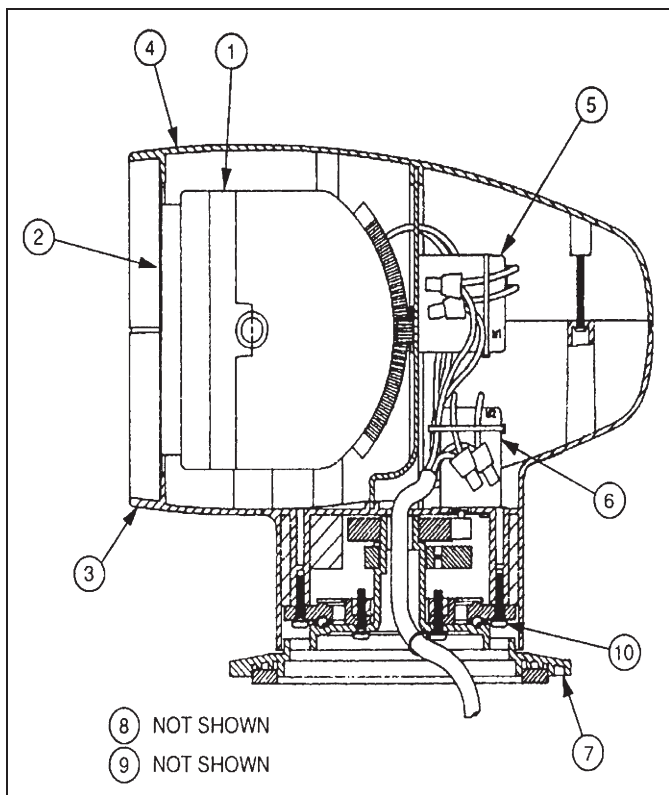
Additional lengths may be ordered. Dual station kits require additional cables (see wiring diagram). Order cable length required from table below.

### ACCESSORY CABLE LISTING

Part Number	Description
43990-0013	10' Cable Assembly
43990-0014	15' Cable Assembly
43990-0015	25' Cable Assembly
43990-0016	35' Cable Assembly
67294-0000	50' Bulk Cable

NOTE: Secure cable with nylon clips or equivalent.

Protect installation at points of stress, and leave adequate slack where cable must be flexible.



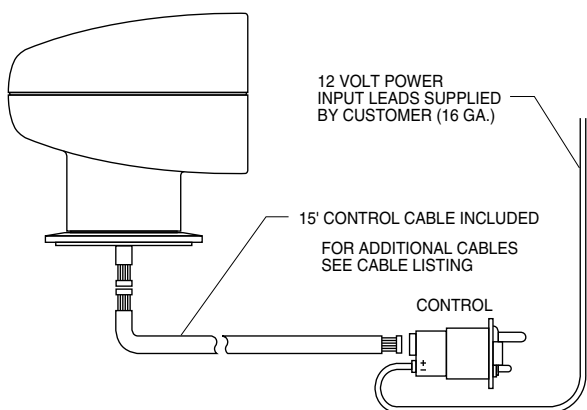
**PARTS LIST**

Key	Description	Qty.	Part Number
1	Bulb Housing & Retainer		60083-1000
2	Bulb 12/24 Volt		18753-0455
3	Lower Housing		60072-1000
4	Upper Housing		60086-1000
5	Motor-Vertical (upper)		18753-0350
6	Motor-Horizontal (lower)		18753-0350
7	Base with Gasket		60088-1000
8	Drive Arm/Gear		18753-0457
9	Voltage Converter (24 Volt only)		45969-1000
10	Screw Kit		18753-0470

**REPLACEMENT BULBS**

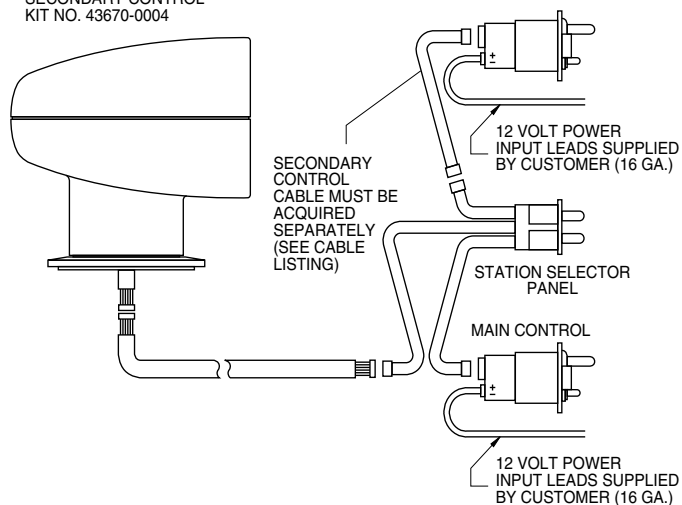
Model No.		Bulb
60080-0012	12V	18753-0455
60080-0024	24V	18753-0455

**Wiring Diagram, Single Control**

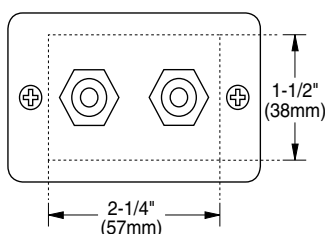


**Wiring Diagram, Optional Secondary Remote Control**

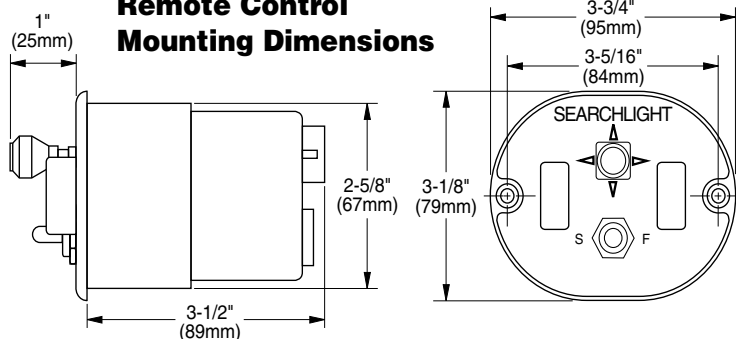
SECONDARY CONTROL KIT NO. 43670-0004



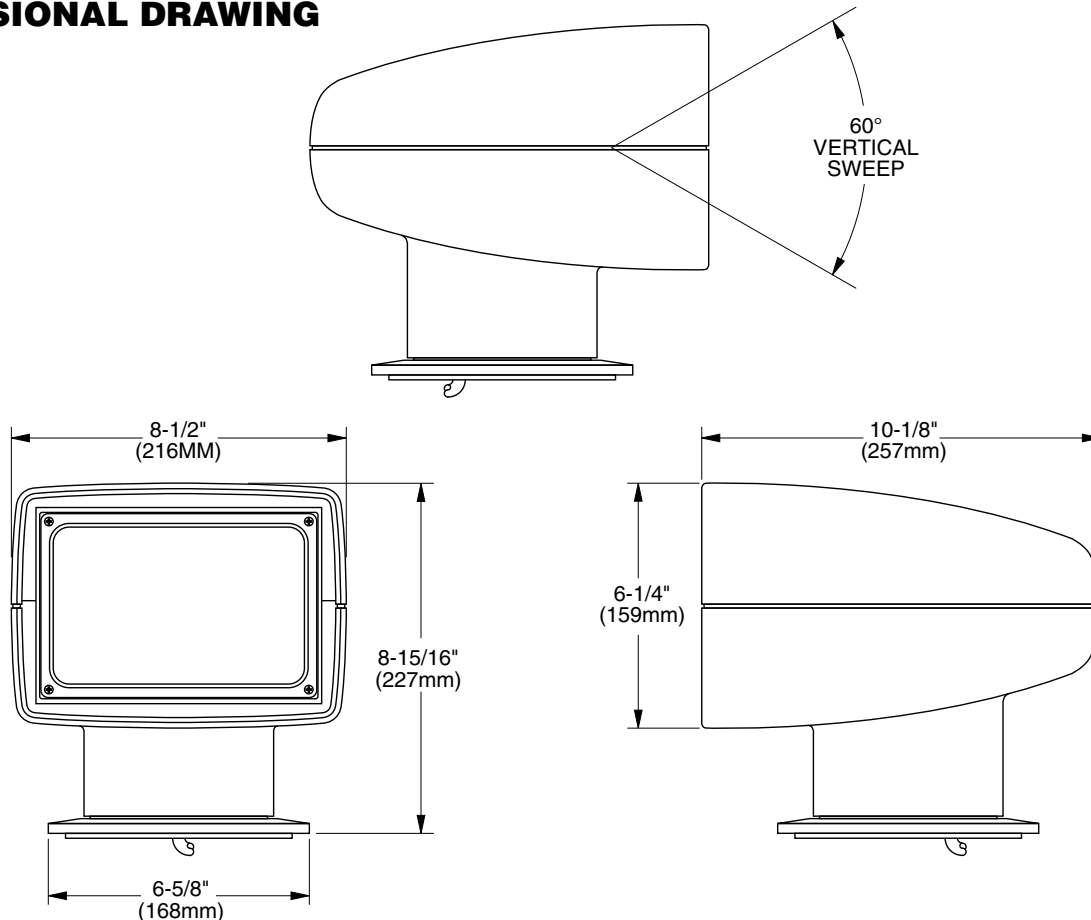
**Station Selector Panel Clearance Dimensions**



**Remote Control Mounting Dimensions**



**DIMENSIONAL DRAWING**



**TROUBLESHOOTING**

All lights are thoroughly inspected before shipping and are warranted to operate within specifications.

If light does not operate correctly, **CHECK FUSES, AND WIRE HARNESS CONNECTIONS BEFORE PROCEEDING WITH THIS TROUBLESHOOTING.**

**PROBLEM**

Control lever works in reverse in all directions.

Light moves in only three of the possible four directions.

Dim light (low voltage)

Bulb operates - no light movement

or

Light moves - bulb does not operate.

**SOLUTION**

See wiring instructions.

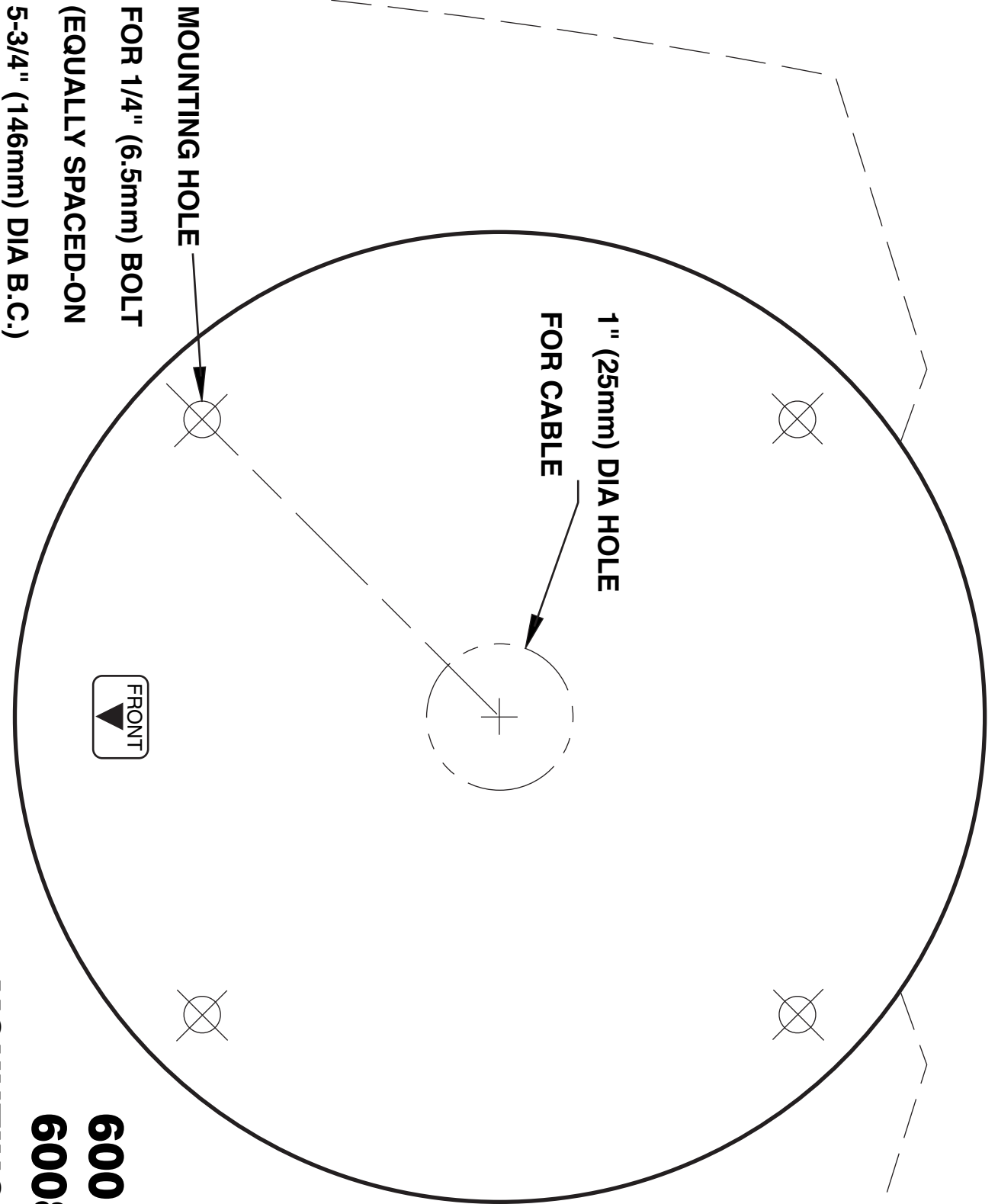
- A. Check connectors.
- B. Replace control.
- C. If problem persists, contact the factory.

- A. Check voltage at power source.
- B. Refer to cable listing for proper wire gauge and length.

- A. Check fuses on front of control
- B. Check bulb.

THE PRODUCTS DESCRIBED HEREIN ARE SUBJECT TO THE JABSCO ONE YEAR LIMITED WARRANTY, WHICH IS AVAILABLE FOR YOUR INSPECTION UPON REQUEST.





**60010-Series  
60080-Series  
MOUNTING TEMPLATE**