



080 Size Utility Pump - AC Flexible Impeller MPU

2/99

53080 Series

Bronze Flexible Impeller Utility Pump

Features

- Self prime from dry up to 3 metres
- Flows up to 80 litres per minute
- Pressure up to 2 bar
- Handles hard or soft solids
- Tolerates abrasive wear
- Non pulsating flow
- Handles viscosities up to 500 centiPoise
- Uses standard IEC motor
- Dry running capability for 30 minutes, post operation



Typical Applications

- Sump emptying and cellar drainage
- Sewage tank emptying
- Product transfer
- Mains boosting
- Shallow well pumping
- Water sampling
- Washdown systems
- Silo pump-out on farms
- Dockside pump-out of toilets

Specifications

Seal : Carbon/Ceramic mechanical seal, Nitrile elastomers

Pump Head : Bronze with integral fluid reservoir to protect pump against dry running for up to 30 minutes, post operational

End Cover : Brass

Bearings : Uses motor bearings

Shaft : Stainless steel, shaft extension

Ports : 1½" BSP internal thread

Cable : Fitted with 2m long supply cable

Weight : 15kg.

Model Options

Impeller option				Neoprene	Nitrile
Temperature range				4°C to 80°C	-5°C to 90°C
Volts	Amps	Hertz	RPM		
230	4.0	50	1450	53080-2001	53080-2003 53080-2063 (Marine Use*)
100/115	8.0	50/60	1450/1740	53080-2101	53080-2103
Pump head only				53081-2001	53081-2003

* Uses a modified Cam without port fingers

All motors are 4 Pole, single phase, 550 Watt, AC. Face & Foot mounting B3-B14.

Enclosure IP55, frame size 80 all IEC 72 standard. Fitted with manual reset thermal overload.

Note : it is not recommended to start the pump at extreme ends of the temperature range, impeller damage may occur

For Installation, Operating, Maintenance and Safety Instructions refer to form 43001-0543

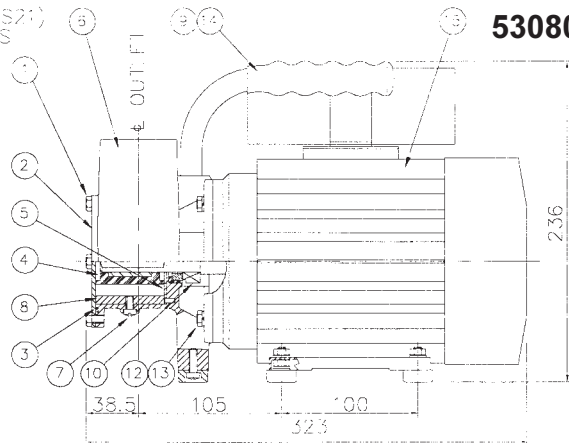
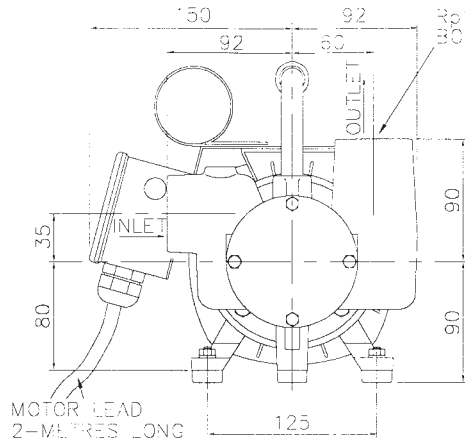
⚠ WARNING Explosion hazard. Do not pump gasoline, solvents, thinners or other flammable liquids. To do so can cause an explosion resulting in injury or death.

⚠ WARNING Fire hazard. Wiring must comply with applicable electrical standards and include a properly sized fuse or circuit breaker. Improper wiring can cause a fire resulting in injury or death.



080 Size Utility Pump - AC Flexible Impeller MPU

2/99



53080 Series

Dimensions in mm

Parts List

Key	Description	Qty	Part No.
1	Screw*	4	X3001-176F
2	Endcover	1	53085-0000
3	O-Ring*	1	See below
4	Impeller*	1	See below
5	Wearplate	1	4156
6	Body	1	53084-2000
7	Screw	Cam	X3004-174F
8	Cam	Standard	53082-0000
		Marine	53082-0060
9	Handle	1	53083-0000
10	Seal assembly*	1	22626-6000
12	Screw	Body	X3001-180C
13	Washers	4	X3081-091C
14	Handle grip	1	X5255-005
15	Motor	230V/50Hz	SP8012-0243
		100/115V/50/60Hz	SP8012-0257
Motor Spares			
	Capacitor	1	X5501-052 X5501-050
	Fan Cowl	1	X5501-046 X5501-046
	Fan	1	X5501-048 X5501-048
	Foot	1	X5501-041 X5501-041
	Thermal Switch	1	X5501-044 X5501-064
	Terminal Box	1	X5501-058 X5501-059
	Screw	Terminal box	4 X5501-039 X5501-039

Alternative compounds, spare parts & service kit numbers

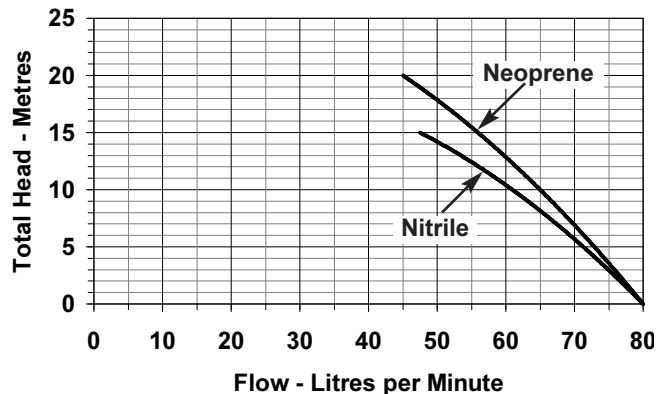
Key	Description	Neoprene	EPDM	Nitrile	Viton®
3	O-ring	X4020-269A	X4020-269A	X4020-269A	X4020-269B
4	Impeller	14282-0001	8981-0002	14282-0003	14282-0004
	Service kit	SK411-0001		SK411-0003	N/A

Service kit contains parts marked * above

Models with a Neoprene or an EPDM Impeller, use Nitrile Lip Seal and O-rings

Viton is a registered trademark of DuPont Dow Elastomers

Performance



Note : Performance shown is for a new pump, pumping water at 20°C, performance may vary by up to 15%. Consult factory for performance of alternative impeller compounds.

Jabsco



ITT Industries

USA

Jabsco
1485 Dale Way
Costa Mesa
CA 92628-2158

Tel : +1 714 545 8251
Fax : +1 714 957 0609

UK

Jabsco
Bingley Road
Hoddesdon
Hertfordshire, EN11 0BU

Tel : +44 (0) 1992 450 145
Fax : +44 (0) 1992 467 132

GERMANY

Jabsco GmbH
Oststraße 28
22844 Norderstedt

Tel : +49 (0) 40 53 53 73 0
Fax : +49 (0) 40 53 53 73 11