



200 Size Stainless Steel FIP Head Kit Pump

11/00

28440 Series Stainless Steel Head Kit Pump

Features

- Self primes from dry up to 5.0 metres
- Flows up to 200 litres per minute
- Pressure up to 2.5 bar†
- Handles hard or soft solids - max. 9mm dia
- Tolerates abrasive wear - replacable wearplate
- Non pulsating flow, proportional to speed
- Handles viscosities up to 4,000 centiPoise
- Minimal shear to thixotropic fluids
- Fits IEC standard motor B3/B14, frame 90



Typical Applications

- Acids and alkalis, compounds, copper sulphate, methyls, alcohols.
- Industrial chemicals, resins, oils, fatty acids, brine.
- Detergents, soaps, hydrogen peroxide.
- Paints, dyes, inks, varnishes, laquers, solvents.
- Transfer, filling, recirculation and agitation, spillage return, spraying, coating, filtration.
- Viscous, shear-sensitive fluids, small hard and soft solids in suspension.

Specifications

Seal : Carbon / Ceramic mechanical face seal

Optional:

- Tungsten Carbide / Ceramic hard faced mechanical seal
- Nitrile Lip seal on shaft sleeve
- Carbon / Ceramic flushed seal
- Tungsten Carbide / Ceramic hard faced flushed seal

Seal Elastomers : Nitrile or Viton

Pump Head : Stainless steel 316, as-cast interior and exterior finish

End Cover : Stainless steel 316 grade

Shafts : Stainless steel 316 grade, shaft extension

Bearings : Uses motor bearings

Motor Adaptor : Epoxy coated cast iron

Ports : 1½" BSP internal thread to BS21 (DIN2999)

Weight : 6.4kg

Model Range

Pressure options	Medium - Max 2.5 bar†							
Elastomer option	Neoprene	E.P.D.M.	Nitrile	Viton®				
Temperature range	4°C to 65°C	0°C to 120°C	-5°C to 90°C	10°C to 90°C				
Mechanical Seal Options								
Carbon/Ceramic	28440-2115	28440-2112	28440-2113	28440-2114				
Tungsten Carbide/Ceramic hard faced			28440-2213					
Lip seal	28440-2415							
Flushed Mechanical Seal								
Tungsten Carbide/Ceramic hard faced	28440-2715							
Carbon/Ceramic	28440-2915							

For models not listed above, consult distributor or factory

Note : it is not recommended to start the pump at extremes of the temperature range, impeller damage may occur

For Installation, Operating, Maintenance and Safety Instructions refer to form 43001-0543

⚠ WARNING Explosion hazard. Do not pump gasoline, solvents, thinners or other flammable liquids. To do so can cause an explosion resulting in injury or death.

† Pressures over 1.4 bar may reduce motor shaft life

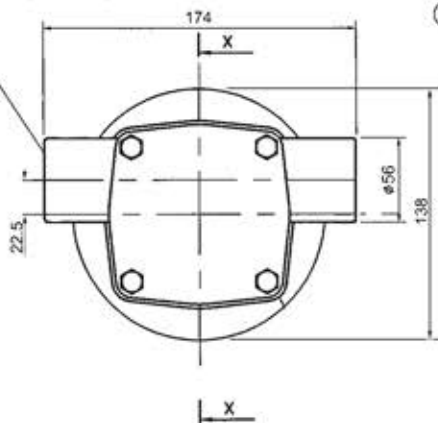


200 Size Stainless Steel FIP Head Kit Pump

11/00

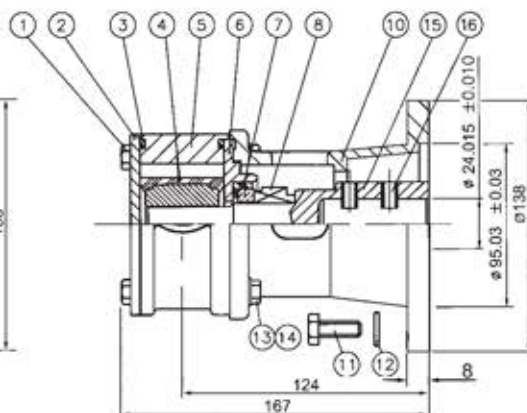
Fits IEC motor with foot & face to IEC B3/B14 frame size 90

Rp 1-1/2" (BS21) x 21 Deep
Both ports

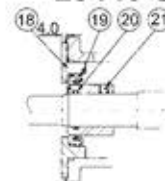


Dimensions in mm

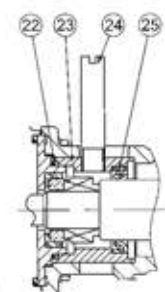
For performance data refer to the 200 size flexible impeller pump performance curves



28440 Series



Lip Seal



Flushed Seal

Parts List

Key	Description	Qty	Part Number
1	Screw	4	X3001-207F
2	Endcover	1	28405-0010
3	O'Ring *	2	See right
4	Impeller*	1	See right
5	Body	1	28434-2000
6	Wearplate	1	28436-0000
7 / 8	Seal Assembly *	1	See right
10	Motor Adaptor	1	28423-0000
11	Screw	4	X3001-209F
12	Washer	4	X3080-101K
13	Screw	4	X3001-209F
14	Washer	4	X3080-101K
15	Shaft Extension	1	28427-0001
16	Set Screw	2	X3009-203A
18	Wearplate	1	28466-0000
19	Lip Seal	1	SP2701-0915
20	O-Ring	1	X4020-227A
21	Seal Spacer	1	28465-0001
22	O-Ring	1	X4020-261A
23	Seal Housing	1	28412-0000
24	Tube	2	21844
25	Seal	1	SP2701-0915

Parts marked * Contained in service kit

Spare Parts & Service Kits

3	O-Ring	Nitrile	X4020-399A
		Viton	X4020-399B
4	Impeller	Neoprene	14346-0005B
		E.P.D.M.	14346-0002B
		Nitrile	14346-0013B
		Viton	14346-0014B
7 / 8	Std Mech. Seals	Nitrile	28431-0103B
		Viton	28431-0104B
	Hard Faced	Nitrile	28431-0203B
		Viton	28431-0204B
Service Kit	Neoprene	SK378-0115	
	Nitrile	SK378-0113	
	Viton	SK378-0114	

Models with Neoprene and E.P.D.M. impellers use Nitrile elastomers on seals and O-rings.

Viton is a registered trademark of DuPont Dow Elastomers.

Other Available Options

Pedestal pumps, for coupling to motor, gearbox or pulley.

Jabsco

USA

Jabsco
1485 Dale Way
Costa Mesa
CA 92628-2158

Tel : +1 714 545 8251
Fax : +1 714 957 0609

UK

Jabsco
Bingley Road
Hoddesdon
Hertfordshire, EN11 0BU

Tel : +44 (0) 1992 450 145
Fax : +44 (0) 1992 467 132

GERMANY

Jabsco GmbH
Oststraße 28
22844 Norderstedt

Tel : +49 (0) 40 53 53 73 0
Fax : +49 (0) 40 53 53 73 11