



080 Size Stainless Steel FIP Pedestal Pump

11/00

28330 Series Stainless Steel Pedestal Pump

Features

- Self primes from dry up to 5.0 metres
- Flows up to 80 litres per minute
- Pressure up to 4.0 bar
- Handles hard or soft solids - max. 6mm dia
- Tolerates abrasive wear - replacable wearplate
- Non pulsating flow, proportional to speed
- Handles viscosities up to 4,000 centiPoise
- Minimal shear to thixotropic fluids
- Easy to service and maintain



Typical Applications

- Acids and alkalis, compounds, copper sulphate, methyls, alcohols.
- Industrial chemicals, resins, oils, fatty acids, brine.
- Detergents, soaps, hydrogen peroxide.
- Paints, dyes, inks, varnishes, laquers, solvents.
- Transfer, filling, recirculation and agitation, spillage return, spraying, coating, filtration.
- Viscous, shear-sensitive fluids, small hard and soft solids in suspension.

Specifications

Seal : Carbon / Ceramic mechanical face seal

Optional:

- Tungsten Carbide / Ceramic hard faced mechanical seal
- Nitrile Lip seal on shaft sleeve
- Carbon / Ceramic flushed seal
- Tungsten Carbide / Ceramic hard faced flushed seal

Seal Elastomer : Nitrile or Viton

Pump Head : Stainless steel 316, as-cast interior and exterior finish

End Cover : Stainless steel 316 grade

Shaft : Stainless steel 316 grade

Bearings : Greased ball bearings

Bearing Housing : Epoxy coated cast iron

Ports : 1" BSP internal thread to BS21 (DIN2999)

Weight : 4.2kg

Model Range

| Pressure options | Standard - Max 2.5 bar | | | | High - Max 4.0 bar | | | |
|-------------------------------------|------------------------|--------------|--------------|--------------|--------------------|--------------|--------------|--------------|
| | Neoprene | E.P.D.M. | Nitrile | Viton® | Neoprene | E.P.D.M. | Nitrile | Viton® |
| Elastomer option | Neoprene | E.P.D.M. | Nitrile | Viton® | Neoprene | E.P.D.M. | Nitrile | Viton® |
| Temperature range | 4°C to 80°C | 0°C to 120°C | -5°C to 90°C | 10°C to 90°C | 4°C to 80°C | 0°C to 120°C | -5°C to 90°C | 10°C to 90°C |
| Mechanical Seal Options | | | | | | | | |
| Carbon/Ceramic | 28330-2101 | 28330-2102 | 28330-2103 | 28330-2104 | 28330-2121 | 28330-2122 | 28330-2123 | 28330-2124 |
| Tungsten Carbide/Ceramic hard faced | 28330-2201 | | 28330-2203 | | | | | |
| Lip seal | 28330-2401 | | | | | | | |
| Flushed Mechanical Seal | | | | | | | | |
| Tungsten Carbide/Ceramic hard faced | | | 28330-2703 | | | | | |
| Carbon/Ceramic | | | 28330-2903 | | | | | |

For models not listed above, consult distributor or factory

Note : it is not recommended to start the pump at extremes of the temperature range, impeller damage may occur

For Installation, Operating, Maintenance and Safety Instructions refer to form 43001-0543

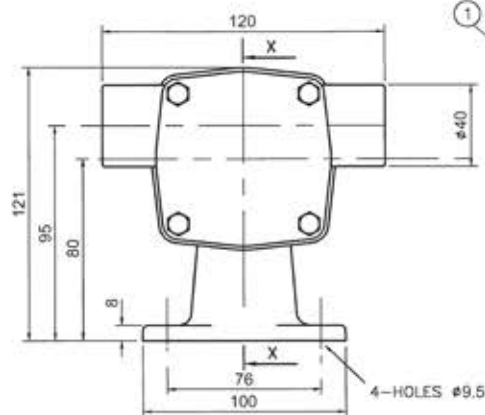
WARNING Explosion hazard. Do not pump gasoline, solvents, thinners or other flammable liquids. To do so can cause an explosion resulting in injury or death.

WARNING Injury hazard. Exposed pulleys and belts can cause injury. Install shield around pulleys and belts. Stay clear while machinery is operating.

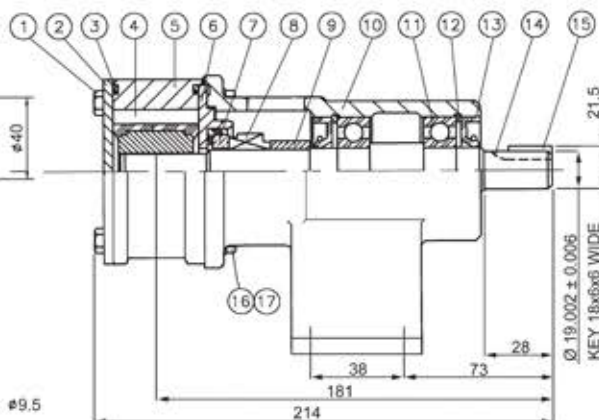


080 Size Stainless Steel FIP Pedestal Pump

11/00

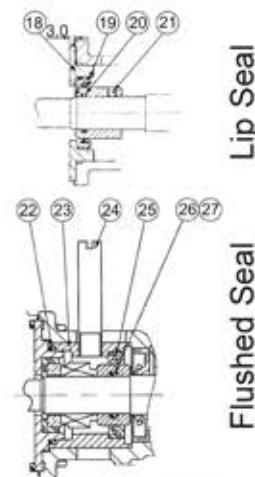


Dimensions in mm



For performance data refer to the 080 size flexible impeller pump performance curves

28330 Series



Parts List

| Key | Description | Qty | Part Number |
|-------|----------------------------|-----|-------------|
| 1 | Screw | 4 | X3001-176F |
| 2 | Endcover | 1 | 28305-0010 |
| 3 | O'Ring * | 2 | See right |
| 4 | Impeller* | 1 | See right |
| 5 | Body | 1 | 28334-2000 |
| 6 | Wearplate | 1 | 28336-0000 |
| 7 / 8 | Seal Assembly * | 1 | See right |
| 9 | Seal Spacer | 1 | 28317-0000 |
| 10 | Bearing Housing | 1 | 28303-0000 |
| 11 | Bearing | 2 | SP2601-33 |
| 12 | Retaining Ring | 2 | SP1701-438 |
| 13 | Lip seal (Bearing Housing) | 2 | SP2701-0910 |
| 14 | Shaft | 1 | 28307-0000 |
| 15 | Key | 1 | X4000-130A |
| 16 | Washer | 4 | X3080-091K |
| 17 | Screw | 4 | X3001-180F |
| 18 | Wearplate | 1 | 28366-0000 |
| 19 | Lip Seal | 1 | SP2701-0914 |
| 20 | O-Ring | 1 | X4020-217A |
| 21 | Seal Spacer | 1 | 28365-0011 |
| 22 | O-Ring | 1 | X4020-244A |
| 23 | Seal Housing | 1 | 28312-0000 |
| 24 | Tube | 2 | 21844 |
| 25 | Seal | 1 | SP2701-0914 |
| 26 | O-Ring | 1 | X4020-217A |
| 27 | Seal Spacer | 1 | 28317-0001 |

Parts marked * Contained in service kit

Spare Parts & Service Kits

| Pressure Rating | | Medium | High |
|-----------------|---------------------|----------------------|-------------|
| 3 | O-Ring | Nitrile X4020-269A | X4020-269A |
| | | Viton X4020-269B | X4020-269B |
| 4 | Impeller | Neoprene 14282-0001B | 8840-0021B |
| | | E.P.D.M. 8981-0002B | 8840-0002B |
| | | Nitrile 14282-0003B | 8840-0023B |
| | | Viton 14282-0004B | 8840-0024B |
| 7 / 8 | Std Mech. | E.P.D.M. 28331-0102B | 28331-0102B |
| | | Nitrile 28331-0103B | 28331-0103B |
| | Hard Faced | Viton 28331-0104B | 28331-0104B |
| | | Nitrile 28331-0203B | 28331-0203B |
| Service Kit | Viton 28331-0204B | 28331-0204B | |
| | Neoprene SK377-0101 | SK377-0121 | |
| | | Nitrile SK377-0103 | |
| | | Viton SK377-0104 | SK377-0124 |

Models with Neoprene impellers use Nitrile elastomers on seals and O-rings.

Viton is a registered trademark of DuPont Dow Elastomers.

Other Available Options

Standard head kits, for close coupling to standard IEC motors.

Jabsco

USA

Jabsco
1485 Dale Way
Costa Mesa
CA 92628-2158

Tel : +1 714 545 8251
Fax : +1 714 957 0609

UK

Jabsco
Bingley Road
Hoddesdon
Hertfordshire, EN11 0BU

Tel : +44 (0) 1992 450 145
Fax : +44 (0) 1992 467 132

GERMANY

Jabsco GmbH
Oststraße 28
22844 Norderstedt

Tel : +49 (0) 40 53 53 73 0
Fax : +49 (0) 40 53 53 73 11