



040 Size Stainless Steel FIP Pedestal Pump

11/00

28230 Series Stainless Steel Pedestal Pump

Features

- Self primes from dry up to 5.0 metres
- Flows up to 40 litres per minute
- Pressure up to 3.0 bar
- Handles hard or soft solids - max. 5mm dia
- Tolerates abrasive wear - replacable wearplate
- Non pulsating flow, proportional to speed
- Handles viscosities up to 4,000 centiPoise
- Minimal shear to thixotropic fluids
- Easy to service and maintain



Typical Applications

- Acids and alkalis, compounds, copper sulphate, methyls, alcohols.
- Industrial chemicals, resins, oils, fatty acids, brine.
- Detergents, soaps, hydrogen peroxide.
- Paints, dyes, inks, varnishes, laquers, solvents.
- Transfer, filling, recirculation and agitation, spillage return, spraying, coating, filtration.
- Viscous, shear-sensitive fluids, small hard and soft solids in suspension.

Specifications

Seal : Carbon / Ceramic mechanical face seal

Optional:

- Tungsten Carbide / Ceramic hard faced mechanical seal
- Nitrile Lip seal on shaft sleeve
- Carbon / Ceramic flushed seal
- Tungsten Carbide / Ceramic hard faced flushed seal

Seal Elastomer : Nitrile or Viton

Pump Head : Stainless steel 316, as-cast interior and exterior finish

End Cover : Stainless steel 316 grade

Shaft : Stainless steel 316 grade

Bearings : Greased ball bearings

Bearing Housing : Epoxy coated cast iron

Ports : 3/4" BSP internal thread to BS21 (DIN2999)

Weight : 2.8kg

Model Range

Pressure options	Standard - Max 2.5 bar				High - Max 3.0 bar			
	Neoprene	E.P.D.M.	Nitrile	Viton®	Neoprene	E.P.D.M.	Nitrile	Viton®
Elastomer option	Neoprene	E.P.D.M.	Nitrile	Viton®	Neoprene	E.P.D.M.	Nitrile	Viton®
Temperature range	4°C to 80°C	0°C to 120°C	-5°C to 90°C	10°C to 90°C	4°C to 80°C	0°C to 120°C	-5°C to 90°C	10°C to 90°C
Mechanical Seal Options								
Carbon/Ceramic	28230-2101	28230-2102	28230-2103	28230-2104	28230-2121	28230-2122	28230-2123	28230-2124
Tungsten Carbide/Ceramic hard faced			28230-2203				28230-2223	
Lip seal	28230-2401				28230-2421			
Flushed Mechanical Seal								
Tungsten Carbide/Ceramic hard faced			28230-2703				28230-2723	
Carbon/Ceramic			28230-2903				28230-2923	

For models not listed above, consult distributor or factory

Note : it is not recommended to start the pump at extremes of the temperature range, impeller damage may occur

For Installation, Operating, Maintenance and Safety Instructions refer to form 43001-0543

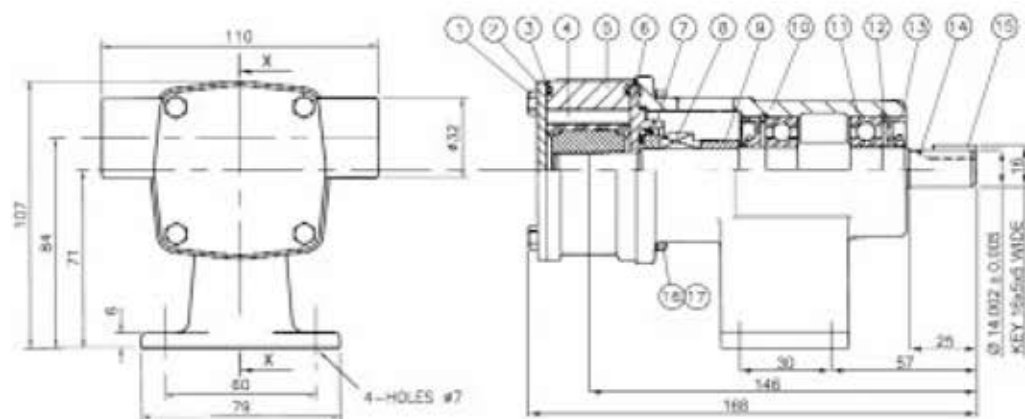
⚠ WARNING Explosion hazard. Do not pump gasoline, solvents, thinners or other flammable liquids. To do so can cause an explosion resulting in injury or death.

⚠ WARNING Injury hazard. Exposed pulleys and belts can cause injury. Install shield around pulleys and belts. Stay clear while machinery is operating.



040 Size Stainless Steel FIP Pedestal Pump

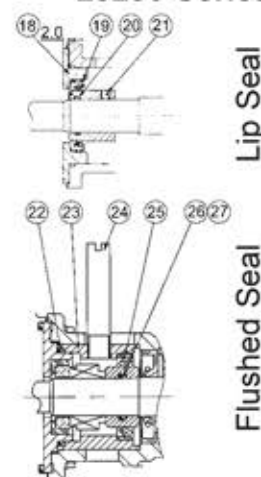
11/00



Dimensions in mm

For performance data refer to the 040 size flexible impeller pump performance curves

28230 Series



Lip Seal

Flushed Seal

Parts List

Key	Description	Qty	Part Number
1	Screw	4	X3001-147F
2	Endcover	1	28205-0010
3	O'Ring *	2	See right
4	Impeller*	1	See right
5	Body	1	28234-2000
6	Wearplate	1	28236-0000
7 / 8	Seal Assembly *	1	See right
9	Seal Spacer	1	28217-0000
10	Bearing Housing	1	28203-0000
11	Bearing	2	SP2600-01
12	Retaining Ring	2	SP1701-4435
13	Lip seal (Bearing Housing)	2	SP2700-39
14	Shaft	1	28207-0000
15	Key	1	X4000-109A
16	Washer	4	X3080-081F
17	Screw	4	X3001-153F
18	Wearplate	1	28266-0000
19	Lip Seal	1	SP2701-0913
20	O-Ring	1	X4020-215A
21	Seal Spacer	1	28265-0001
22	O-Ring	1	X4020-237A
23	Seal Housing	1	28212-0000
24	Tube	2	21844
25	Seal	1	SP2701-0913
26	O-Ring	1	X4020-215A
27	Seal Spacer	1	28217-0001

Parts marked * Contained in service kit

Spare Parts & Service Kits

Pressure Rating		Medium	High	
3	O-Ring	Nitrile	X4020-259A	X4020-259A
		Viton	X4020-259B	X4020-259B
4	Impeller	Neoprene	14281-0001B	8980-0021B
		E.P.D.M.	7614-0002B	8980-0002B
		Nitrile	14281-0003B	8980-0023B
		Viton	14281-0004B	8980-0024B
7 / 8	Std Mech. Seals	Nitrile	28231-0103B	28231-0103B
		Viton	28231-0104B	28231-0104B
	Hard Faced	Nitrile	28231-0203B	28231-0203B
		Viton	28231-0204B	28231-0204B
Service Kit	Neoprene	SK376-0101	SK376-0121	
	Nitrile	SK376-0103		
		Viton	SK376-0104	

Models with Neoprene and E.P.D.M. impellers use Nitrile elastomers on seals and O-rings.

High Temperature impeller part no. 23470-0065B available separately.

Viton is a registered trademark of DuPont Dow Elastomers.

Other Available Options

Standard head kits, for close coupling to standard IEC motors.

Jabsco

USA

Jabsco
1485 Dale Way
Costa Mesa
CA 92628-2158

Tel : +1 714 545 8251
Fax : +1 714 957 0609

UK

Jabsco
Bingley Road
Hoddesdon
Hertfordshire, EN11 0BU

Tel : +44 (0) 1992 450 145
Fax : +44 (0) 1992 467 132

GERMANY

Jabsco GmbH
Oststraße 28
22844 Norderstedt

Tel : +49 (0) 40 53 53 73 0
Fax : +49 (0) 40 53 53 73 11