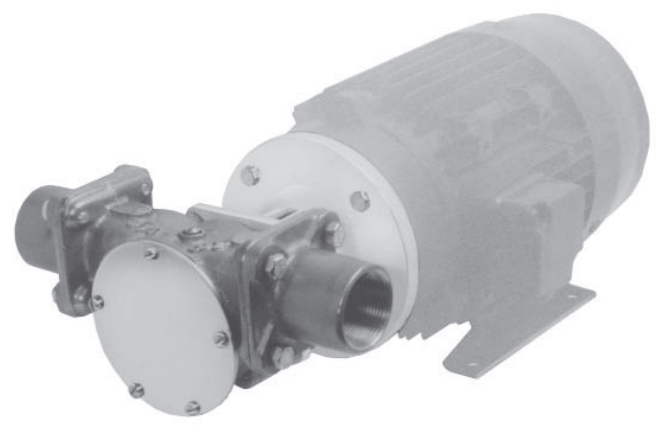




## 22880 Series Bronze Flexible Impeller Pump

### Features

- Flows up to 200 Litres/Minute @ 1500 RPM
- Self prime from dry up to 3.0 metres
- Handles hard or soft solids
- Non pulsating flow
- Gentle pump action does not damage shear-sensitive products
- Easy to service and maintain



### Typical Applications

**Industrial** : From water to the most difficult, e.g. transferring foaming solutions with entrained air or solids, such as soap, circulating abrasive and non abrasive slurries. Transferring inks, dyes, starches etc.

**Chemical** : Circulating and transferring various chemicals such as ammonia, barium, copper sulphate, glycerine, nickel chloride, silver nitrate; various acids such as boric, carbonic, citric and photo processing solutions, widely used for polyelectrolyte.

### Model Options


Impeller option	Neoprene	Nitrile
Temperature range	4°C to 80°C	10°C to 90°C
Pump head only	22880-2001	22880-2003
Note : it is not recommended to start the pump at extreme ends of the temperature range, impeller damage may occur		
All models use Nitrile seal elastomers		
Other options available, Pedestal & Motor pump units, in Bronze, Plastic & Stainless steel		

### Specifications


- Seal** : Carbon/Ceramic mechanical seal
- Pump Head** : Bronze
- End Cover** : Brass
- Bearings** : Uses motor bearings
- Shaft** : 316 Stainless steel shaft extension
- Motor adaptor** : Epoxy-coated aluminium, suitable for B3/B14 D100 frame motor to IEC 71 standard
- Ports** : Flanged, adaptors available
- Weight** : 7.7kg.

For Installation, Operating, Maintenance and Safety Instructions refer to form 43001-0543

**WARNING** Explosion hazard. Do not pump gasoline, solvents, thinners or other flammable liquids. To do so can cause an explosion resulting in injury or death.



**WARNING** Injury hazard. Exposed pulleys and belts can cause injury. Install shield around pulleys and belts. Stay clear while machinery is operating.



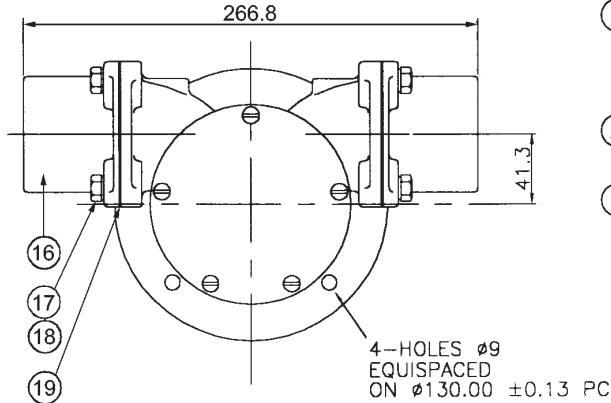
Jabsco Pumps 22880-2203

www.PumpAgents.com Click here for Pricing/Ordering for Pumps and Parts

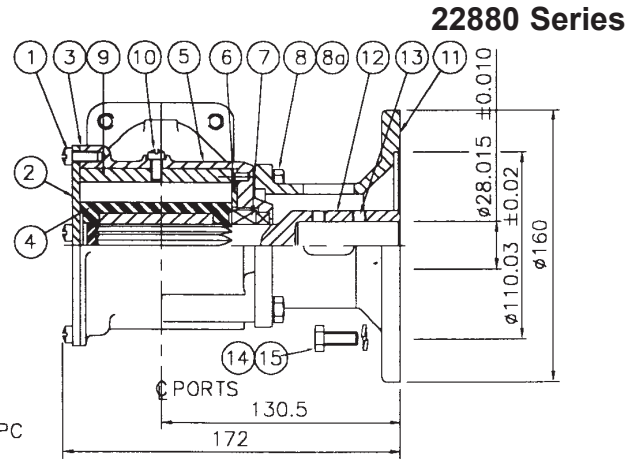
**JABSCO**

200 Size Bronze Flexible Impeller Pump Head Kit

08/05



Dimensions in mm



22880 Series

Parts List

Key	Description	Qty	Part No.
1	Screw*	6	SP1005-04
2	Endcover	1	9336
3	Gasket*	1	816
4	Impeller*	1	836-0001 Neoprene 836-0003 Nitrile
5	Body	1	10634
6	Wearplate	1	2574
7	Seal assembly*	1	21849
8	Screw	4	SP1095-28
8a	Washer	4	SP1602-13
9	Cam	1	834
10	Screw	1	SP1005-04 Cam
11	Adaptor	1	22884
12	Extension	1	22887 Shaft
13	Screw	2	X3009-203A Set
14	Screw	4	X3001-209C
15	Washer	4	X3081-101C
16	Port adaptor #	2	10941 1/2" BSP 10940 1/2" NPT 10942 2" Hose
17	Screw #	8	SP1095-19
18	Washer #	8	SP1602-09
19	Gasket #	2	10948

Parts marked \* above are contained in a Service kit

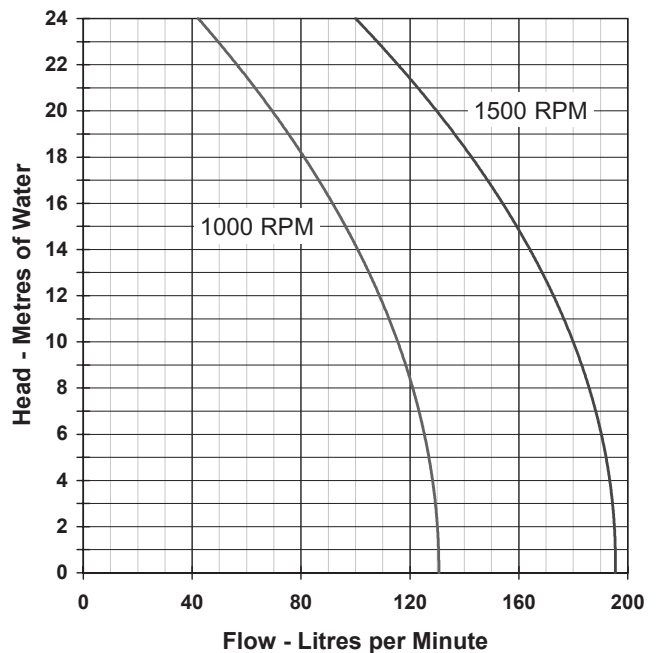
Service kit	Neoprene	1	SK230
	Nitrile	1	SK230-37

Parts marked # above are contained in an adaptor kit

Port adaptor kit	1/2" BSP	1	K1-200
	1/2" NPT	1	K1
	2" Hose	1	K1-01

Mechanical seals are fitted with Nitrile elastomers

Performance



Note : Performance shown is for a new pump, fitted with a Neoprene impeller, pumping water at 20°C, performance may vary by up to 15%. Consult factory for performance of alternative impeller compounds.

**xylem**  
Let's Solve Water

USA

Jabsco  
20 Icon  
Foothill Ranch  
CA 92610

Tel : +1 949 859 4945  
Fax : +1 949 859 1153

UK

Jabsco  
Bingley Road  
Hoddesdon  
Hertfordshire, EN11 0BU

Tel : +44 (0) 1992 450 145  
Fax : +44 (0) 1992 467 132

GERMANY

Jabsco GmbH  
Oststraße 28  
22844 Norderstedt

Tel : +49 (0) 40 53 53 73 0  
Fax : +49 (0) 40 53 53 73 11

Warranty: All products of the company are sold and all services of the company are offered subject to the company's warranty and terms and conditions of sale, copies of which will be furnished upon request. The information provided herein is for guidance only, it does not constitute a guarantee of the performance or specification of any individual product or component.

© 2012 Xylem, Inc. All rights reserved. JABSCO is a registered trademark of Xylem Inc. or one of its subsidiaries.

43010-0125 Rev: B