

Models 45710-1000 45710-1020

REVERSIBLE ROTARY VANE PUMPS

FEATURES

- Body: Bronze
- Rotor: VECTAA™ •
- Vanes: VECTRA™ •
- Seal: Lip type, Nitrile
- Motor: Permanent Magnet Type, Intermittent Duty, Fully enclosed, Stainless Steel Shaft
- Ports: 1/2 Inch Internal Pipe Threads
1 Inch External Hose Barb
- Height: 3-3/8 Inches
- Length: 8-5/8 Inches
- Width: 4-3/4 Inches
- Weight: 5-1/2 Pounds



Models 45710-1000 45710-1020

MODELS AVAILABLE

- 45710-1000 12 Volt DC
- 45710-1020 32 Volt DC



Do not operate with rivets removed from motor case. Explosion resulting in personal injury, death or property damage may occur. Case openings must be sealed to avoid explosion and maintain ignition protected rating.

Motor with switch assembly meets USCG Electrical Standards (Title 33, Chapter I, Part 183, Subpart I) for IGNITION PROTECTION on gasoline powered vessels. SEE WARNING NOTE.

APPLICATION

The Jabsco Reversible Rotary Vane pump is ideal for pumping oil or transferring diesel fuel. It is self-priming to about three feet and can pump against a discharge head up to twenty feet. With its integral on-off-reversing switch, it is ideal for engine oil changing. A simple valved manifold will allow it to be permanently installed to change the oil of multiple engines with a single pump. After pumping used oil out of an engine, it can be reversed to pump new oil back into engine.



Do not pump volatile liquids with a flash point below 100°F (38°C). Doing so may cause an explosion or fire resulting in injury or death.

Note: Diesel fuel has a flash point of 100° - 190°F (43° - 88°C).

INSTALLATION

The pump must be mounted in a dry location - the motor is not waterproof and must not be submerged. SELECTION OF A COOL, VENTILATED location will generally extend pump motor life. The unit can be mounted in any desired position. It is best to mount so that fluid dripping from loose port connection will not wet the motor. The pump head may be mounted at 90 degree increments on the motor to allow plumbing as needed.

PLUMBING CONNECTIONS

Pump ports have external 1" hose barb and internal 1/2" pipe threads. Use hose that does not kink when bent and with sufficient wall thickness to prevent collapse when used on suction side of pump. Hoses should be routed so that some fluid will be retained in pump body to wet the rotor and vanes. Wetting the rotor and vanes aids in priming. Use a strainer on the intake hose if debris or solids are present in the fluid being pumped. ALL HOSES MUST HAVE AIRTIGHT CONNECTIONS TO ENABLE FAST PRIMING.

PSI	TOTAL HEAD		CAPACITY	
	FEET	METRES	GPM	l/MIN
2.1	5	1.5	5.2	19.7
4.3	10	3.0	5.0	18.9
6.5	15	4.6	4.7	17.8
8.7	20	6.1	4.3	16.3

Table shows approximate Head-Flow for new pump.

• VECTRA™ is a registered trademark of Celanese Corporation.

ELECTRICAL CONNECTIONS



Explosion hazard. If pump is operated in an **area** which may contain flammable vapors, wire leads must be joined by insulated mechanical locking connectors. Loose or inadequate wire connections can spark resulting in an explosion. Property damage, injury or death may occur.

Connect **black** wire to **negative** terminal of **battery**. The orange wire **with** the fuse **holder should** run to an overload protected switch or circuit breaker, with a **wire from switch or breaker** to **positive** (+) terminal of **battery**. **Electrical circuit must be independent** of all **other** accessories. Use proper wire **size** as determined by wire table **elsewhere** on this **sheet**. The proper fuse has **been included** in **the** fuse **holder**. Should this fuse blow, replace **with the** same size **fuse** after determining reason for blown fuse.

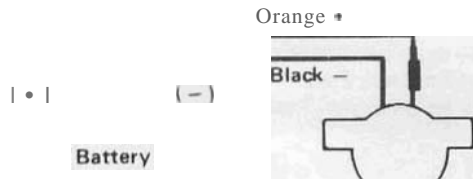
MINIMUM WIRE SIZES

CONNECTION LENGTH BETWEEN BATTERY AND MOTOR	12V	32V
1-10ft.(3m)	#12	#16
11-20 ft. (6m)	# B	# 16
21-30 ft. (9m)	# B	#16

NOTICE: To **prevent** motor damage, use only multi-strand **copper** wire in size recommended. DO NOT use ordinary lamp cord or other substitutes.

NOTICE: No **warranty consideration** will be given to pumps **that** are **returned** without the **properly** sized fuse and fuse **holder** supplied **with** the pump.

WIRING DIAGRAM



OPERATION

THE REVERSIBLE VANE PUPPY IS DESIGNED FOR **INTERMITTENT** DUTY. DO NOT OPERATE PUMP FOR MORE THAN 30 MINUTES CONTINUOUSLY.

Rotary Vane pumps must NOT be run dry, as the pumped **liquid** is **the** lubricant for the rotor and vanes. Observe the outlet and shut off pump as **soon** as liquid stops flowing.

The pump cannot run against a closed outlet such as encountered when using a **garden** hose type **shut-off** nozzle. Pressure for normal operation should not exceed 20 feet of head (8.7 PSI). Excessive pressures will cause fuse to blow.

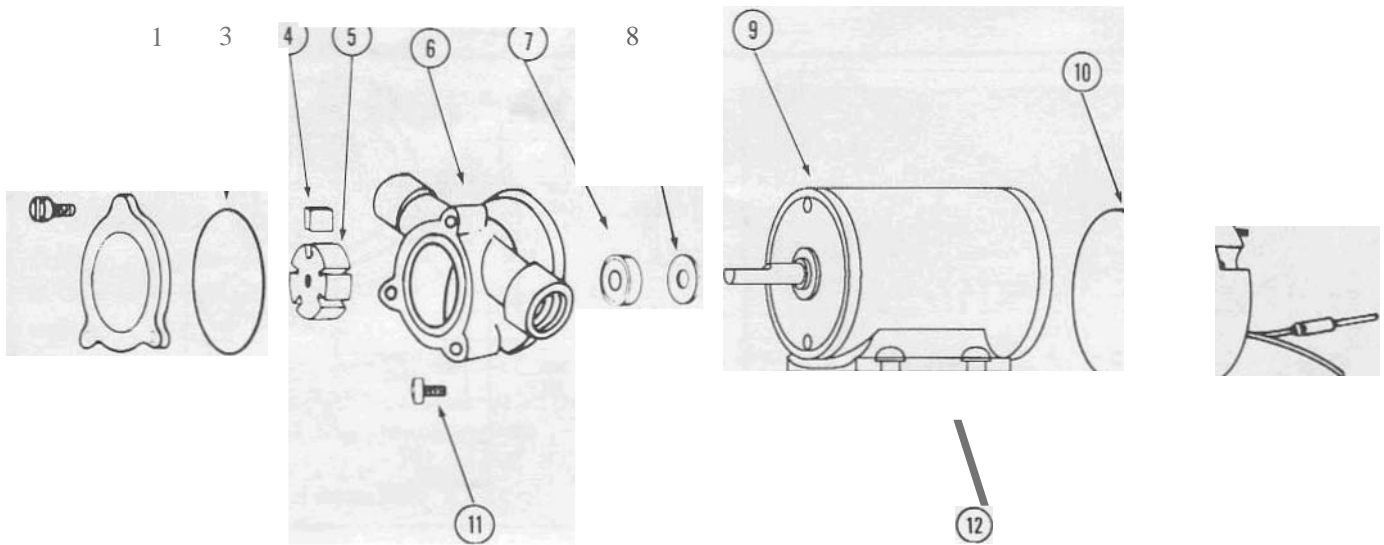
Temperature of pumped liquid may be in the range 0145°-165° F (10°-78° C).

When pump **is** used for engine oil changing run engine approx. 5 minutes to heat oil (minimum oil temperature 140° F), then shut off engine just prior to oil removal.

CAUTION: Hot **oil**. Wear protective gloves and safety glasses when handling heated oil. Failure to **do** so may result in personal injury.

MODELS	VOLTAGE	AMP DRAW	FUSE SIZE
4571(.1000	12Vdc	B	15Amp
45710-1020	32Vdc	3	5 Amp

EXPLODED VIEW



KEY	PART NUMBER	DESCRIPTION	DTY. REO.
1	91004-0090	Screw (End Cover)	3
2	18753-0070	End Cover	1
3	18753-0071	'O-Ring	1
4	18753-0072	'Vanes (sel 01 5)	1
5	18753-0073	"Aotor	1
6	18753-0135	Body	1
7	1040-0000	'Sea!	1
8	6342-0000	Slinger	1
9		Molor	1
	18753-0075	Model 45710-1000 12Vdc	
	18753-0076	Mode14S71Q-I020 32 Vdc	
10	18753-0069	Switch/Housing Assy.	1
11	98019-0020	Screw (Pump 10 Motor)	2
12	92900-0120	tGrommel	4
	90200-0000	Service Kit	

MAINTENANCE

Check wires and **connections** 10 be sure corrosion **is** not **adding additional** resistance 10 the motor **circuit** and causing a low voltage condition at the motor. low voltage can inhibit motor from starting and cause fuse to blow. Full voltage should be available 10 **prevent** mOlor damage.

If pump **is** to be in freezing temperatures, drain by loosening end cover screws.

* Parts contained in Service Kit.
 † Parts supplied with Motor.

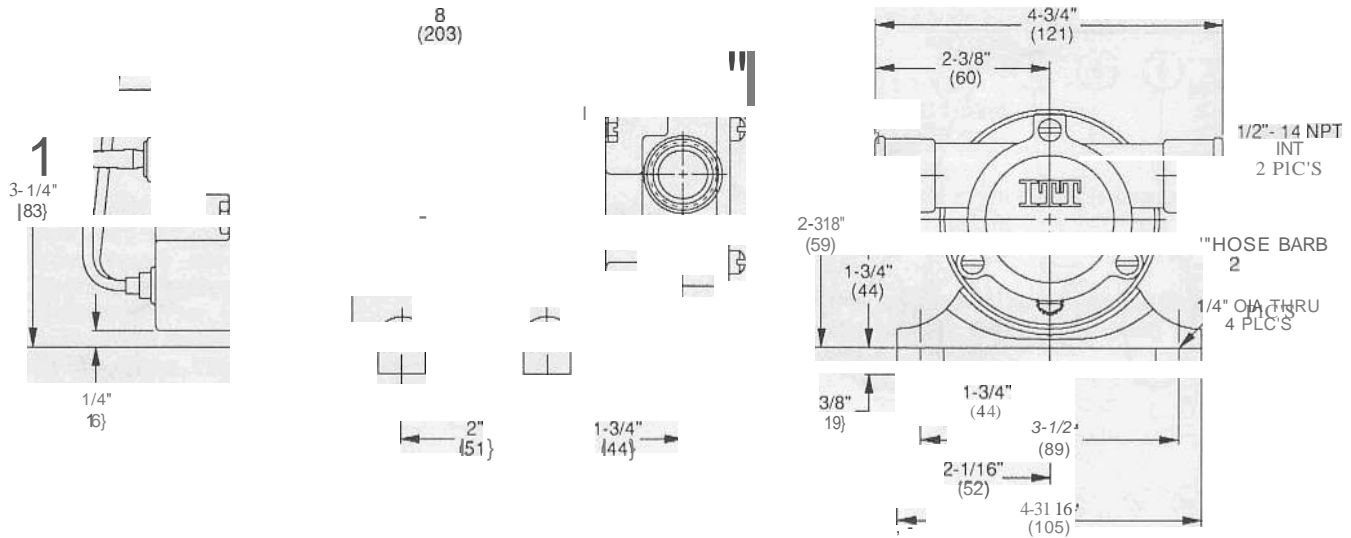
DISASSEMBLY

1. Remove **end** cover screws, end cover **and** D-ring.
2. Withdraw rotor and **vanes**.
3. Loosen and remove two sloned hilX screws, which attach **body** to motor.
4. Tap body lightly between ports and remove **body** from **motor**.
5. Press seal from the rotor side of the **body** out of **the** seal bore.

ASSEMBLY

1. Press seal from the motor side of the body into the seal bore with lip pointing toward the rotor bore.
2. Lubricate molor shaft and **install** body on motor.
3. Aligning f1alln rotor with flat on motor shaft, install rotor. Install **vanes** in vane slots of rotor.
4. Install O-ring, end cover and end cover **screws**.

DIMENSIONAL DRAWING INCHES (MILLIMETRES)



One Year Limited Warranty

A. LIMITED WARRANTY: In warrants that at the time of shipment, the products manufactured by ITT and Sold hereunder shall be in conformance with applicable written specifications and descriptions referred to or set forth herein, free from defects in material and workmanship, merchantable, and suitable for a particular purpose, provided such is implied by State law under the circumstances of this sale.

B. WARRANTY ADJUSTMENT:

1. In agrees to repair or furnish a replacement for, but not to remove or install, any product or component thereof which, within one (1) year from date of purchase, shall upon test and examination by ITT prove defective within the above warranty. Receipt verifying purchase date is required to obtain adjustment.
2. Buyer shall notify ITT of any defect within this warranty no later than ninety (90) days after the defect is discovered.
3. No product will be accepted for return or replacement without the prior written authorization of ITT. Upon such authorization, and in accordance with instructions from ITT, the product will be returned to ITT, shipping charges prepaid by Buyer. Products returned to In will be addressed as follows:

ITT JABSCO
1485 Dale Way

Costa Mesa, California 92626-3998

Or to such alternate locations as may be designated on the product, its container, or this sheet.

Repair or replacement made under this warranty will be shipped prepaid to buyer.

C. EXCLUSIONS FROM WARRANTY AND LIMITATION OF LIABILITY:

1. The foregoing warranty is limited solely as set forth herein and applies only for the period designated above.

2. ITT SHALL NOT BE LIABLE FOR ANY LOSS, DAMAGE, SPECIAL OR CONSEQUENTIAL DAMAGE OF ANY KIND, WHETHER BASED UPON WARRANTY, CONTRACT, NEGLIGENCE, OR STRICT LIABILITY ARISING IN CONNECTION WITH THE SALE, USE, OR REPAIR OF THE PRODUCT.

3. THE MAXIMUM LIABILITY OF ITT IN CONNECTION WITH THIS WARRANTY SHALL NOT IN ANY CASE EXCEED THE CONTRACT PRICE FOR THE PRODUCT CLAIMED TO BE DEFECTIVE OR UNSUITABLE.

4. This warranty does not extend to any product manufactured by ITT which has been subjected to misuse, neglect, accident, improper installation, or use in violation of instructions furnished by ITT.

5. This warranty does not extend to or apply to any unit which has been repaired or altered at any place other than In's factory, or by persons not expressly approved by ITT, nor to any unit the serial number, model number, or identification of which has been removed, defaced or changed.

6. Components manufactured by any supplier other than ITT shall bear only that warranty made by the manufacturer of that product.

7. This warranty applies to products defined as "consumer products" by the Consumer Product Warranties Act as from time to time amended.

D. CONSUMER RIGHTS; This warranty gives you specific legal rights, and you may have other rights which vary from state to state. Some states do not allow exclusion or limitation of damages.

STANDARD WARRANTY: If the products manufactured and sold hereunder are not Consumer Products, the warranty extended to Buyer shall be as set forth in subparagraphs (A), (B), and (C), EXCEPT THAT ALL EXPRESS OR IMPLIED WARRANTIES OR MERCHANTABILITY OR SUITABILITY FOR ANY PARTICULAR PURPOSE ARE EXCLUDED.

ITT Jabsco
ITT Fluid Technology Corporation

1485 Dale Way, P.O. Box 2158, Costa Mesa, CA 92628-2158

Tel: (714) 545-8251, Fax: (714) 957-0609

Bingley Road, Hoddesdon, Hertfordshire EN11 0OU England

Tel: 0992-467191, Tlx: 263251 G; Fax: 0992-467132

For technical advice or service please take your pump into your local pump service center.
To order pump or parts or for pricing please go to the following links :

[Jabsco Pumps Home >>](#)

[Jabsco Pumps stock list >>](#)