



**Models 42510-0000: Pump**  
**42520-0000: Faucet**  
**42530-0000: Pump & Faucet**

**ELECTRIC PUMP AND FAUCET**

**FEATURES**

- Quiet flow and low current draw
- Push Button switch operation
- Do-it-yourself installation
- Threads into tank or uses slip-on hose
- Stainless steel swivel spout faucet with ABS plastic base



Models: 42510-0000, 42520-0000, 42530-0000

**SPECIFICATIONS - PUMP**

Open Flow:	2.0 GPM (7.6 LPM)
Flow @ 3 psi (0.2 bar):	1 GPM (3.8 LPM)
Fuse/Breaker:	2 Amp*
Voltage/Amp:	12V DC/1.6 Amp Nominal
Intake Port:	3/8" NPT or 3/8" Barb Hose
Output Port:	3/8" Barb Hose

Meets USCG Regulations 183.410 and EN ISO 8846 MARINE for Ignition Protection.

**SPECIFICATIONS - FAUCET**

Switch Rating:	12V DC/5 Amps
Intake Port:	3/8" Barb Hose

\*Customer supplied, not included

**MODEL 42530-0000**

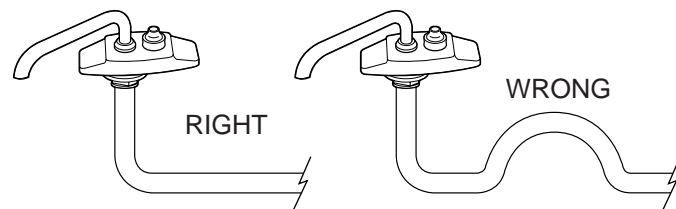
This single outlet water system pump is designed for use in boats, campers and van conversions. This is a centrifugal pump and must be mounted below water level of tank. The electric faucet is operated by a push button switch that frees your hands while washing. Stainless steel spout swings out of the way. ABS plastic base.

**INSTALLATION**

Mount pump below lowest tank water level, or screw into threaded fitting low on tank.

**AIR LOCK**

Air locks (pump runs but no water flows) can occur when the air trapped in the pump cannot escape and be replaced by water from the tank. This can be caused when water collects in a low point of a discharge hose which does not continually rise from the pump to the faucet.



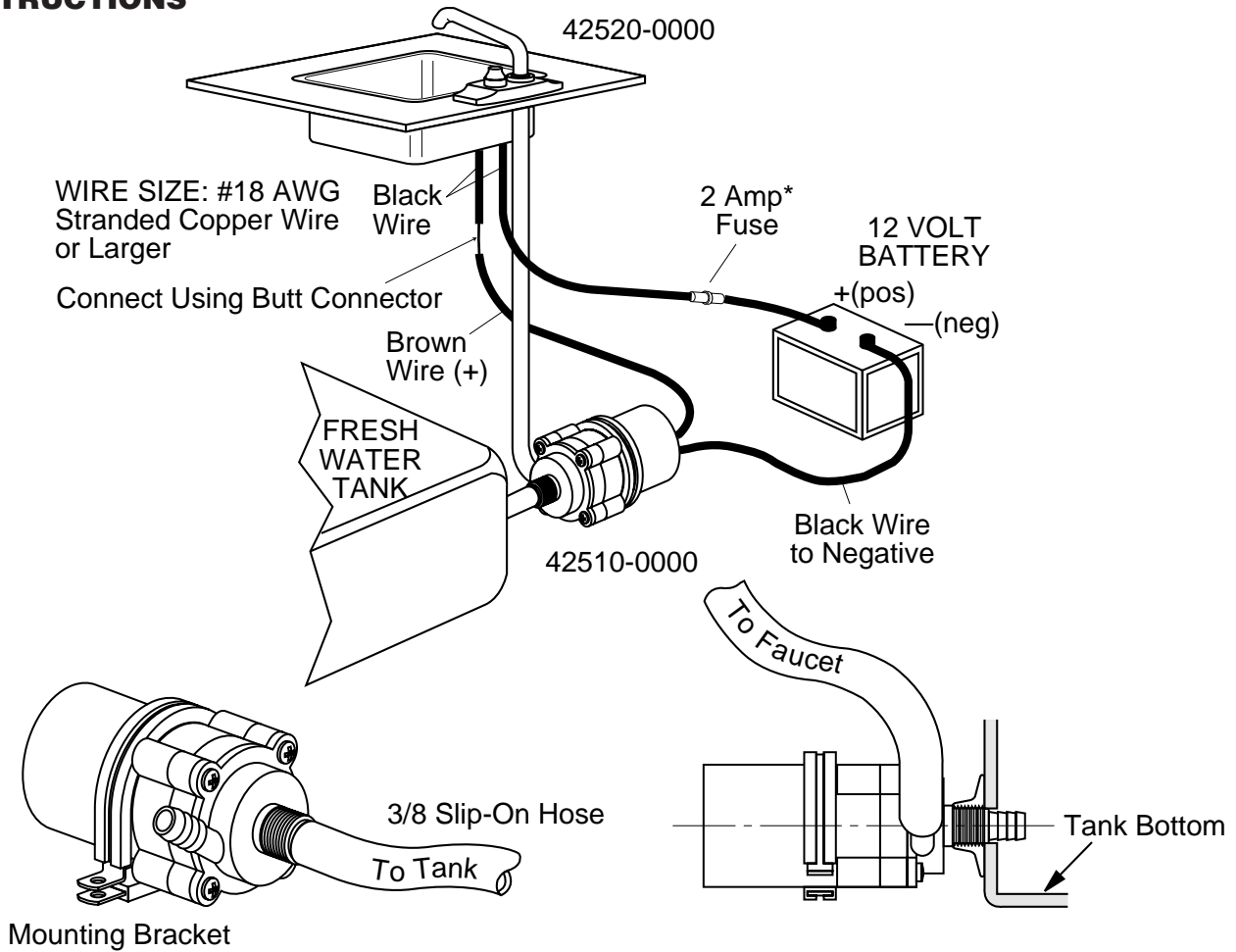
Jabasco



**ITT Industries**  
 Engineered for life

PumpAgents.com - buy pumps and parts online

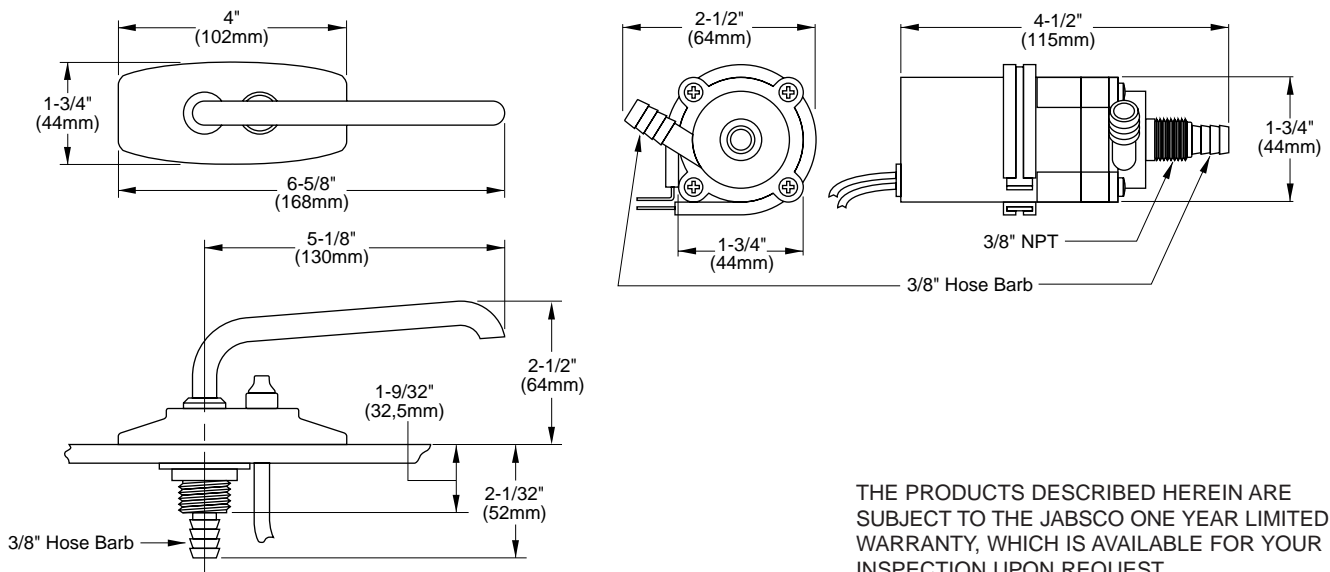
**INSTRUCTIONS**



**MOUNTING:** Mount with bracket and connect with slip-on hose below lowest water level or thread into 3/8" bottom tank fitting. Connect 3/8" hose between discharge port of pump and faucet ensuring hose rises continually from pump to faucet.

\*Customer supplied, not included.

**DIMENSIONAL DRAWING**  
Inches (Millimeters)



THE PRODUCTS DESCRIBED HEREIN ARE SUBJECT TO THE JABSCO ONE YEAR LIMITED WARRANTY, WHICH IS AVAILABLE FOR YOUR INSPECTION UPON REQUEST.

---

For technical advice or service please take your pump into your local pump service center.  
To order pump or parts or for pricing please go to the following links :

[Jabsco Pumps Home >>](#)

[Jabsco Pumps stock list >>](#)