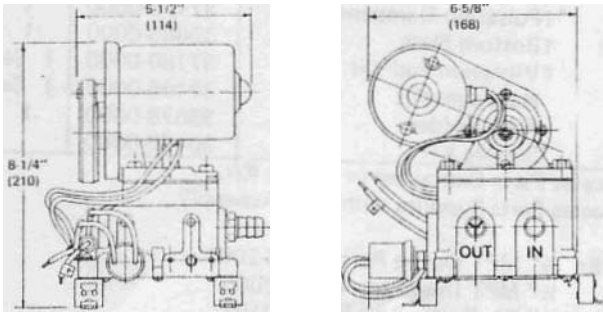


**ORIGINAL EQUIPMENT**  
**ELECTRIC WATER SYSTEM PUMP**

AUTOMAT MODEL 36950-SERIES AUTOMATIC MULTIPHASE PUMP

**PUMP DIMENSIONS**



Dimensions in parenthesis are in millimeterli.

**OPERATION**

- **Check** level of water in tank.
- **Check** all strainers or any aerators and clean thoroughly.
- Open all faucets, hot **and** cold.
- Turn on power to pump and wait for hot water tank and water lines to fill.
- Close each **faucet** when it starts to deliver a steady stream of water (close cold water faucet first).
- Observe the pump. Check to be sure pump stops 500n after closing last faucet.
- Pump is now ready for automatic operation. It **will** start when a faucet **is** opened and **stop** when the faucet is closed.
- Relieve system pressure before hooking up to **city** water,

**MAINTENANCE**

**WINTER STORAGE.** PAR pumps, with their unique pulsation dampener, **will** withstand frozen water without damage, provided the system is not under pressure prior to freezing. To prevent accidental **damage**, the entire water system should be protected from **freezing** during winter storage. This requires complete **draining**, using the following directions and/or vehicle manufacturers **instructions**:

1. Open all faucets and drains and allow pump to empty water tank and intake **line**. Run **the** pump dry for 1 to 2 minutes before turning off.
2. With all drains **open**, **blow** air through **city** water entry. Allow time for the water heater to **empty**. Disconnect discharge and intake hoses from **the** pump. Start the pump and **allow** to run until all water is expelled from unit. (Running dry **will** not harm the pump.)
4. Reconnect the hoses, **close** the drains but leave **faucets** open. The water distribution system is now dry and ready for winter storage.

An alternate method is to use potable water system anti-freeze solution. Follow directions of anti-freeze manufacturer, and use a PAR Winter Protection Kit Model 44610-0000. **DO NOT USE AUTOMOTIVE TYPE RADIATOR ANTI-FREEZE. IT IS POISONOUS.**

**FEATURES**

- Self-Priming
- Diaphragm Design Allows Dry Running
- Built-in Discharge Check Valve
- **Quiet** Operation
- Fuse Protected
- Built-in Hydraulic Pulsation Dampener
- Large Vibration Absorbing Pads
- Available with Barb or **Threaded Ports**
- IAPMO Approved
- CSA Certified

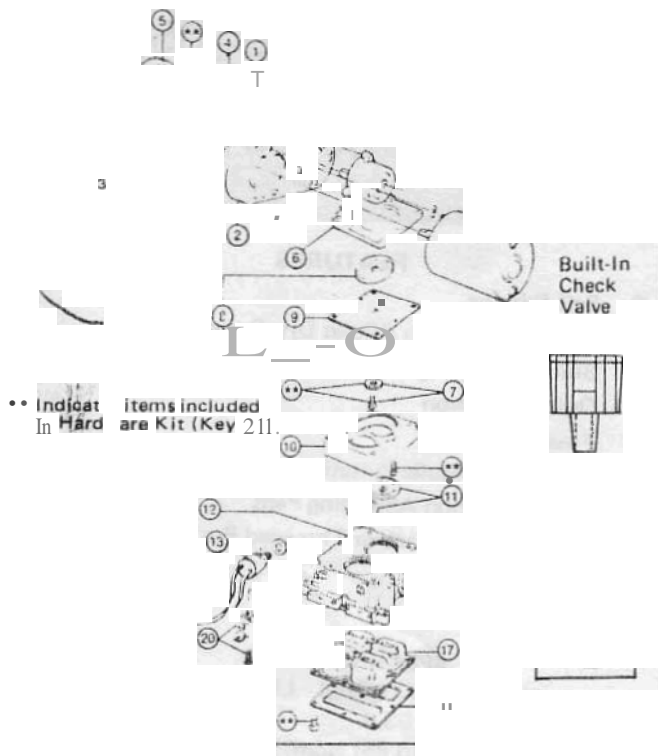
**SPECIFICATIONS**

	<b>U.S.</b> GPM	Liten/Min.	Can. GPM
Open Flow:	3.0	11.4	2.5
Cut-in Pressure:	16 PSI Nom. (1,1kg/cm )		
Cut-off Pressure:	26 PSI Nom. 0,8kg/cm )		
Voltage:	12VDC		
Current:	6 Amps Nominal		
<b>Fuse Rating:</b>	<b>6¼</b> Amps "\$10-810"/8 Amp Normal		
Vert.Drv Suction <b>Lift:</b>	5 Feer (1,52M)		
<b>Ports:</b>	Slip-on 1/2" or 5/8" I.D.Hose or 1/2" Threads		
<b>Weight:</b>	11 lbs.	5.0 kgs.	
Approval:	IAPMO Type <b>IV</b> and CSA		

**TROUBLE SHOOTING**

Problem	Cause,
Pump operates but no water flows through faucet.	- Low water <b>level</b> ir tank. -Suction line <b>clogged</b> or kinked. - Air leak in suction <b>line</b> . - Loose hose clamps or fittings <b>in suction</b> line. -L)efective <b>valves</b> or check <b>valve</b> .
Pump cycles on and oft <b>when</b> faucets are closed.	-Water leak <b>in</b> plumbing. -Defective toilet flush <b>valve</b> . - Internal leak in pump. -Outlet <b>valve</b> not seal <b>ing</b> .
Pump operates roughly and has excessive noise and vibration.	- Intake line <b>is</b> restricted, kink in <b>suction hose</b> or <b>fittings</b> too small. - Pump mounted on flimsy board. -Deformed or ruptured pulsation dampener in pump. - Loose screws at pullevs and connecting rod.
Pump fails to start when faucel is opened.	-No <b>voltage</b> to pump. -Blown fuse. -Clogged or kinked outlet <b>line</b> . - <b>Defective</b> pressure <b>switch</b> .
Pump <b>fails</b> to <b>stop</b> when faucets are closed.	-Empty water tank. -Outlet <b>valve</b> not sealing. - <b>Very</b> low <b>voltage</b> to pump -Air in system. -Defective pressure <b>switch</b> .

## 36950-Series



K,	Oeseri tion	Part Number	
1	Motor it	30 0-0000	1
2	Motor <b>Mount</b>	34628-0000	1
3	Small Pulley	37169-0000	1
4	Large Pulley	37171-0000	1
5	Bel t	30022-0000	1
6	Jack Shaft Assembly	35689-0000	1
7	Connecting Rod Assembly	37173-0000	1
8	<b>Diaphragm Plates</b>	35503-0000	2
9	<b>Diaphragm</b>	30015-0000	1
10	Retainer	35497-0000	1
11	<b>Valve Set (Intet &amp; Outlet)</b>	30004-0000	1 Set
12	tBase Assembly	35620-1100	1
13	Pressure Switch	44814-0000	1
15	Ports (Inlet & Outlet) Barb	37176-0000	1 Set
	(See Note)		
17	"tPulsation Dampener	37178-0000	1
19	tBoHam Plate	35686-0000	1
20	tVibration Pad Kit	37180-0000	1 Set
21	Hardware Kit	37166-0000	1 Set
22	Fuse Holder	35578-0000	1
	'Service Kit	30126-0000	1

'Indicates Parts Contained in **Service Kit**.

\*Indicates Parts Supplies with Base **Assembly**.

NOTE: 1/2" MPT Outlet **Port** 43006-2000  
 1/2" MPT **Inlet Port** 42986-2000  
 1/2" FL Outlet POrt 93009-0192  
 1/2" FL Inlet Port 93009-0193

## SERVICE

CAUTION: **Before servicing** pump, turn off power and open faucet to relieve pressure in **water system**.

## VALVES REPLACEMENT

1. Remove motor and four tie down screws.
2. Expose **valves** by tilting jack shaft and allached diaphragm **assembly** from pump **base**.
3. **Lift valves from pockets**. **Clean all** foreign materials from **valves** and seats.
4. Reinstall **valves** into same pockets. **being** sure rubber **valve** with **small hole** is UP on intake and rubber valve without the **small hole** is DOWN on **discharge** ( see exploded view).  
**CAUTION:** Do **not** use **valve** with small hole in rubber on discharge **side** of pump.
5. When **reassembling**, **adjust** belt tension to 1/4" play.

## DIAPHRAGM &amp; CONNECTING ROD REPLACEMENT

1. Remove malar and four tie down screws then lift jack **shaft** and attached diaphragm assembly from pump **base**.
2. Expose diaphragm by removing **two** diaphragm ring screws and detilching **ring**.
3. Remove diaphragm screw to **separate diaphragm** and **plates** from connecting rod. Inspect diaphragm for cuts and ruptures.
4. Remove eccentric **screw** to separate connecting rod form **jack** shaft.
5. When reassembling, **be** sure to align diaphragm and connect-**ing** rod so that rod slips straight OntO jack shah and diaphragm rests squarely on **diaphragm** retainer. Misalignment will create a strain on diaphragm and significantly shorten its life. Adjust belt **tension** to 1/4... play.

## PULSATION DAMPENERS REPLACEMENT

1. Remove pump from installation.
2. Remove nine screws from bottom of base and **bottom** plate.
3. Pull out rubber pulsation dampener from base.
4. Inspect dampener for **excessive** deformation, ruptures and cuts.
5. When installing new pulsation dilmpener, make sure flange is **well-seated** to effect a proper **water** and air seal.

## PRESSURE SWITCH REPLACEMENT

1. Disconnect **wires** from pressure switch.
2. Unscrew switch from **base**.
3. Threadnew switch with sealing washer into pump **base**, with metallic side of washer facing switCh. Tighten securely.
4. Rewire one lead to molor, other to fuse holder.

## MOTOR REPLACEMENT

1. Disconnect one motor wire from pressure switCh, the other from **splice** connector.
2. Remove two motor nuts to separate motor.
3. **Loosen** screw to slide off small pulley from motor shaft.
4. When reassembling, be sure to adjust belt tension before tightening molor nuts. Proper adjustment is made when belt can be depressed **one-quarter** inch at a **point** halfway between pulleys. Do not overtighten.

## CHECK VALVE REPLACEMENT

1. Remove water line from output port.
2. Pull poppet retamer from port using wire hook or long-nosed **pliers**.
3. Inspect poppet with "O"-ring, **stainless steel spring** and **retainer-guide**. Clean and reinstall or replace.

APPROVED



T-1220



RV

STO Z240.J.2

## JABSCO PRODUCTS ITT

Marine and **Recreation** Components **Division**  
 International Telephone and Telegraph Corporation  
 1485 Dale Way, **Costa Mesa**, California 92626

Telephone: (714) 545-8251

---

For technical advice or service please take your pump into your local pump service center.  
To order pump or parts or for pricing please go to the following links :

[Jabsco Pumps Home >>](#)

[Jabsco Pumps stock list >>](#)