



Model 36680-SERIES

ELECTRIC BILGE PUMPS

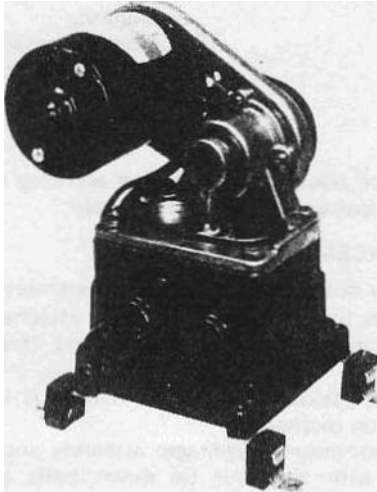
FEATURES

- Self-Priming
- Diaphragm Design Allows Dry Running
- Quiet Operation
- Built-in Hydraulic Pulsation Dampener
- Permanently Lubricated Ball Bearings on Shaft and Connecting Rod
- CorROsion Resistant Materials Throughout for Sea Water Service
- BIA Type Accepted

Model 36680-SERIES

SPECIFICATIONS

| | U.S. GPM | litres/Min. | Imp. GPM |
|-------------------------|-------------------|-------------|----------|
| Open Flow | 5.5 | 21 | 4.5 |
| Vert. Dry Suction lift: | 7 Feet (2,1m) | | |
| Ports: | 3/4" Slip-on Hose | | |
| Weight: | 8 lbs (3,6 kgs I | | |



INSTALLATION

MOUNTING

Mount upright in a dry a location (above highest bilge water level) on a solid surface. Selection of a dry cool ventilated location will generally extend pump life. Adjust belt tension for 1/4 inch play between pulleys.

PLUMBING

For intake and discharge use 3/4" I D non-collapsible hose. Keep intake and discharge lines free of kinks and restrictions. Use a 3/4" bilge strainer (PAR Model 35890-0000) or a 3/4" in-line strainer (PAR Model 36200-0000) in the intake line from the bilge to protect pump from debris. Use a 3/4" thru-hull fitting located above the waterline at all angles of heel or pitch,

WIRING

Wire pump in a circuit independent of all other electrical fixtures. Use stranded copper wire. Install fuse in positive lead. See table for recommended wire and fuse size. See diagram for wiring connections. Use a 10 amp-rated switch (Par 44960-Series).

After installation, it is recommended that voltage be checked at the motor terminals with motor operating under full load. Voltage should not be less than 90% of rated motor voltage.

STANDARD MODELS

| Model | Voltage | Amperage (Open Flow) |
|------------|---------|----------------------|
| 36680-0000 | 12 VDC | 7 |
| 3668Q.0010 | 24 VOC | 5 |
| 3668Q.0020 | 32 VDC | 3 |

36680-20 31 15VOLT
MAINTENANCE J. 0

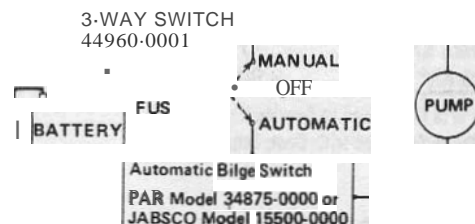
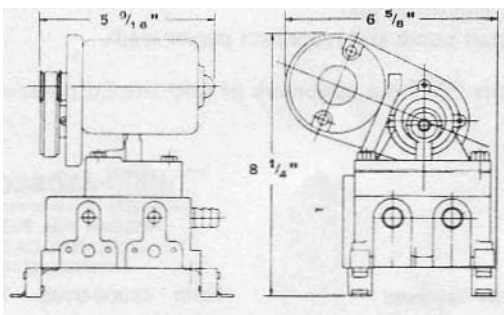
WINTER STORAGE: When possible, it is preferred that the complete pump be removed and stored in a warm dry place. If this is not possible, the pump must be completely drained, hoses removed and pump run until all water is expelled.

WIRE AND FUSE SIZE

| | Model 36680-0000 | Model 36680-0010 | Model 36680-0020 |
|---------------------------------------|------------------|------------------|------------------|
| Wire length Between Battery and Motor | 12 Volt | 24 Volt | 32 Volt |
| 1-25 feet | 12AWG | 14 AWG | 16 AWG |
| 25-50 feet | 10AWG | 14AWG | 14 AWG |
| Fuse Size: Slow Blow | 8 AMP | 5AMP | 3 AMP |
| Standard | 10 AMP | 6AMP | 4 AMP |

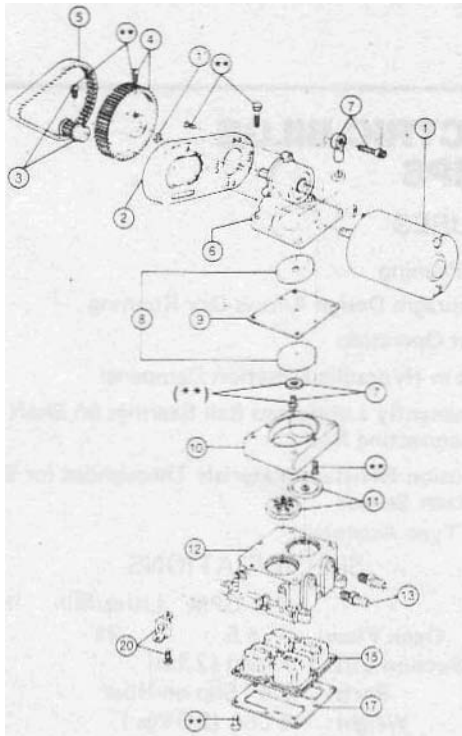
WIRING DIAGRAM FOR AUTOMATIC OPERATION

DIMENSIONAL DRAWING



SERVICE

EXPLODED VIEW



"Indicates items included in Hardware Kit (Key 21).

PARTS LIST

36680-Series

| Key | Part Description | Part Number | Qty |
|-----|----------------------------|--------------------------|-------|
| 1 | Motor Kit 12Volt D.C | 30200-0000 | 1 |
| 1 | Motor Kit 24 Volt D.C | 30200-0010 | |
| 1 | Motor Kit 32 Volt D.C | 30200-0020 | |
| 2 | Motor Mount ... | 34628-0000 . | 1 |
| 3 | Small Pulley.. | 37169-0000 | 1 |
| 4 | Large Pulley | 37171-0000 | 1 |
| 5 | Belt | 30022-0000* | 1 |
| 6 | Jack Shaft Assembly | 35690-0000 | |
| 7 | Connecting Rod Kit. | 37173-0000* | 1 |
| 8 | Diaphragm Plates | 35212-0000 | 2 |
| 9 | Diaphragm | 30016-0000" | 1 |
| 10 | Retainer | 35173-0000 | 1 |
| 11 | Valve Set (Inlet & Outlet) | 30003-0000* ^f | 1 Set |
| 12 | Base Assembly ^f | 35620-0000 ^t | 1 |
| 13 | Ports (Inlet & Outlet) | 37175-00001 | 1 Set |
| 15 | Pulsation Dampener | 37178-0000* ^t | |
| 17 | Bottom Plate | 35686-0000 ^t | 1 |
| 20 | Vibration Pad Kit. | 37180-0000 ^f | 1 Set |
| 21 | Hardware Kit | 37166-0000 | 1 Set |
| | Service Kit* | 30125-0000 | |

*Indicates Parts Contained in Service Kit.

^fIndicates Parts Supplied with Base Assembly.

TROUBLE SHOOTING

Problems

Causes

- | | |
|---------------------------|--|
| Loss of suction to pump. | <ul style="list-style-type: none"> • Air leak in suction line. - Bilge pickup not submerged. - Intake hose kinked or plugged. • Fouled intake or discharge valve. - Ruptured diaphragm. |
| Rough or noisy operation. | <ul style="list-style-type: none"> . Intake or discharge hose kinked or plugged. - Pump not mounted firmly. . Loosened eccentric screw. • Ruptured or collapsed pulsation dampener. |

NOTICE: Turn off power to pump before servicing. Failure to do so could cause leakage of water during repair.

VALVE REPLACEMENT

1. Remove four bolts securing jack shaft assembly.
2. Expose valves by lifting jack shaft and attached diaphragm assembly from pump base. Remove and clean or replace valves.
3. Install valves, making sure rubber flapper is UP on intake and DOWN on discharge.
4. Replace motor-mouth-diaphragm assembly and fasten evenly to base with the four tie down bolts and washers.

DIAPHRAGM AND CONNECTING AOD REPLACEMENT

1. Remove four bolts securing jack shaft assembly.
2. Lift jack shaft and the attached diaphragm assembly from pump base.
3. Remove two diaphragm retainer screws and the bottom diaphragm retainer.
4. Remove eccentric screw. Remove connecting rod and diaphragm from the top diaphragm retainer, then unscrew bolt to separate diaphragm and plates.
5. Check diaphragm for cuts and cracks. Check rod assembly bearing for excessive wear. Replace if badly worn.
6. Loosely reassemble diaphragm, diaphragm plates, connecting rod spacer and diaphragm bolt onto connecting rod. Apply a thin film of Locktite to eccentric screw and firmly secure connecting rod to jack shaft. Secure diaphragm to upper diaphragm retainer with the bottom diaphragm retainer and two screws.
7. Tighten connecting rod bolt.
8. Replace motor-mount-diaphragm assembly and fasten evenly to base with the four tie down bolts and washers.

PULSATION DAMPENER REPLACEMENT

1. Disconnect power leads from pump and remove from mount.
2. Remove nine bottom plate screws and the bottom plate. Pull out and replace pulsation dampener.
3. Replace bottom plate and screws. Tighten evenly to ensure an air and water seal.
4. Reinstall pump and reconnect power leads.

Locktite PST is a trademark of Locktite Corporation.

THE PRODUCTS DESCRIBED HEREIN ARE SUBJECT TO THE JABSCO® ONE YEAR LIMITED WARRANTY, WHICH IS AVAILABLE FOR YOUR INSPECTION UPON REQUEST.



For technical advice or service please take your pump into your local pump service center.
To order pump or parts or for pricing please go to the following links :

[Jabsco Pumps Home >>](#)

[Jabsco Pumps stock list >>](#)