



'Spot Sprayer' Pump

Model
30814-Series

AGRICULTURAL: Supply pump for herbicide and pesticide spraying equipment.

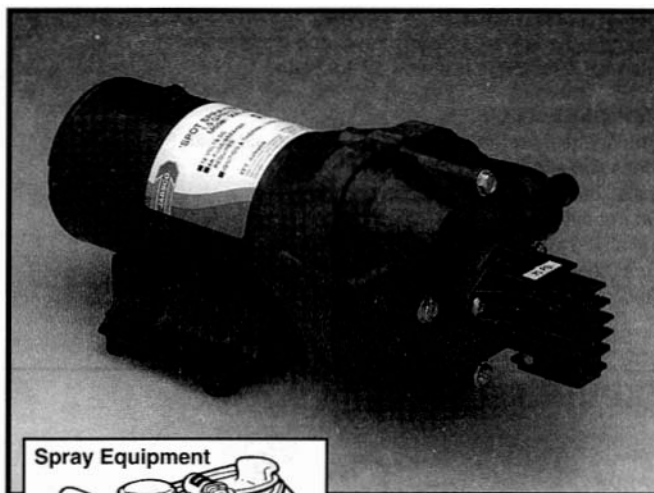
FEATURES

- Self-Priming
- Thermal Overload Protected Motor
- Snap-in 1/2" (13mm) Dia. Hose Barb Port Adaptors
- Conforms to 10 Electromagnetic Compatibility 89/3361EEC and Machinery Directive 8913921EEC
- low Amp Draw
- Run Dry Ability

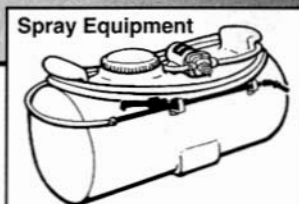
SPECIFICATIONS

Pump Body: Glass Filled Polypropylene
Elastomers: Santoprene® Diaphragm. Valves of Viton®
Hardware: Stainless Steel
Pump Design: Multi-Chamber Diaphragm
Flow Rate: 1.2 GPM (4.5 LPM)
Suction Lift: Self-Priming to: 10 ft. (3 m) min. (wet) 5 ft. (1.5 m) min. (dry)
Duty: Intermittent, Maximum 70 psi (4.8 bar)
Ports: 1/2" (13 mm) Hose Barb
Motor: Permanent Magnet with Thermal Overload Protection.

Shipping Weight: 5.5 lb (2.5 kg) approx.



Models 30814-Series

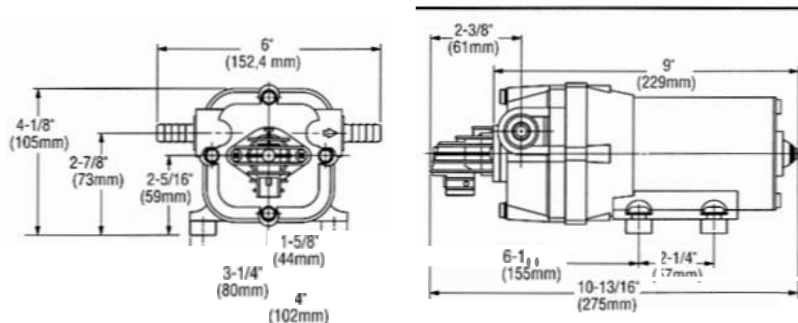


WARNING Explosion hazard. Do not pump gasoline, solvents, thinners or other flammable liquids. To do so can cause an explosion resulting in injury or death.

OPERATION

- WIRING** - Use a minimum of 14 (2.5 mm²) gauge wire. The electrical circuit should be protected with an overcurrent protection device 6 amp in the positive lead. Black wire is negative, orange wire is positive.
- PRESSURE** - For intermittent duty, 70 psi (4.8 bar) is maximum discharge pressure.
- PARTICLE SIZE** - Pump is capable of pumping particle laden fluids where the particle size is less than 0.40' (1 mm) in diameter.
- VISCOSITY** - The maximum pumped fluid viscosity is 250 centipoise.
- START-UP** - Check level of fluid in tank. Open nozzle. Turn switch on. Flow will become steady as air is bled from system. Close nozzle after flow becomes steady. Pump should shut off soon after closing nozzle. Pump is now ready for automatic operation. Pump will start after nozzle is opened and stop upon closing the nozzle. If pump is to be inoperative for a considerable period of time, flush pump with water, turn off electrical circuit to pump, and bleed system pressure by opening nozzle.

DIMENSIONS



PERFORMANCE

psi (bar)	GPM (LPM)
10 (0.7)	1.20 (4.5)
20 (1.4)	.80 (3.0)
30 (2.1)	.70 (2.7)
40 (2.8)	.60 (2.3)
50 (3.5)	.55 (2.1)
60 (4.2)	.50 (1.9)

VARIATIONS

MODELS	CE	FLOW GPM(LPM)	VOLTAGE	AMP DRAW C 10psi	RECOMMENDED FUSE/BREAKER SIZES
30814-1012	no	1.2 (4.5)	12 Vdc	2	71/2
30814-1092	yes	1.2 (4.5)	12 Vdc	2	71/2
30814-1024	no	1.2 (4.5)	24 Vdc	1	71/2

NOTE: MODEL -XX9X
CONFORMS TO
89/336 EEC AND 8913321EEC

• Santoprene is a registered trademark of Monsanto Corporation • • Viton is a registered trademark of 011 Pont Dow Elastomers L.L.C

NOTICE: Before servicing pump, turn off electrical power and open discharge valve to relieve pressure in pump, and neutralize any chemicals prior to disassembly.

PUMP DISASSEMBLY

1. Push port clips back and disconnect plumbing from pump.
2. Remove the four (4) screws and separate the body from the motor assembly.
3. Remove valve housing with O-RING from the body.
4. Remove the four (4) piston screws and piston caps.
5. Remove diaphragm from the center plate,

PUMP ASSEMBLY

1. Replace diaphragm, making sure that the side with the ridges faces AWAY from the motor assembly.
2. Install the four (4) piston caps and screws. Do not overtighten.
3. Install the valve housing and O-RING into the body.
4. Reassemble the body to the motor assembly.
5. Reconnect plumbing to pump and push clips forward.

1. Disconnect power leads from switch. Remove switch from pump by removing two screws located on switch flange.



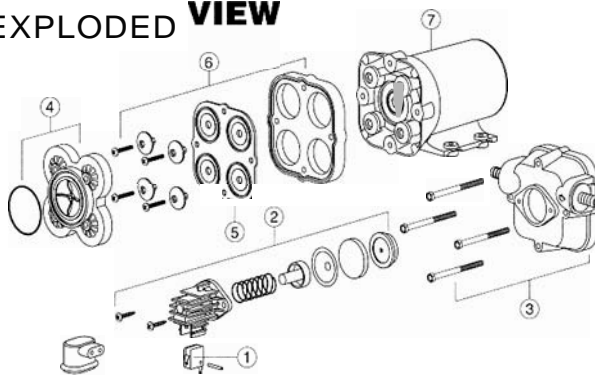
These screws hold down a strong spring. Hold switch firmly. Personal injury could result if switch body is allowed to fly loose.

3. Remove switch cap assembly leaving diaphragm and plunger on pump body.
4. Reassemble complete assembly to pump noting stack up in exploded view.
5. Hold firmly, and retain switch to body using two screws provided.
6. Reconnect switch power leads using spade terminals.

TO REPLACE MICROSWITCH

1. Using a small punch, remove roll pin by pushing pin out right to left (when looking at front of switch).
2. Remove switch by depressing actuator (clicker) and pulling switch out bottom of switch cap.
3. Insert new Micro Switch into switch cap with switch actuator button facing the motor.
4. Replace roll pin by inserting from left to right through switch cap assembly.

EXPLODED VIEW



PARTS LIST

KEY	DESCRIPTION	QTY	30814-0012	Model 30814-0092
1	Micro Switch	1	18753-0141	
1	Pressure Switch Kit (includes Micro Switch)	1	44050-1001	
3	Body Kit	1	30608-1004	
●	Valve Kit	1	30613-2004	
5	Diaphragm Kit	1	30617-1000	
6	Plate/Piston Kit	1	30682-1000	
1	Motor Kit 12 Vdc	1	18753-0626	18753-0627
	24 Vdc	1		18753-0631
Note:	Port Kits: 1/2" (13 mm) barb	1	30654-1004	

TROUBLESHOOTING

PULSATING FLOW - PUMP CYCLES ON AND OFF

- Restricted pump delivery. Check discharge lines, fittings and valves for undersizing or clogging.

FAILURE TO PRIME - MOTOR OPERATES, BUT NO PUMP DISCHARGE

- Restricted intake or discharge line.
- Air leak in intake line.
- Punctured pump diaphragm.
- Debris under flapper valves.
- Crack in pump housing.

MOTOR FAILS TO TURN ON

- Loose wiring connection.
- Pump circuit has no power.
- Blown fuse/Thermal Protector Tripped.
- Pressure switch failure.
- Defective motor.

PUMP FAILS TO TURN OFF AFTER ALL VALVES ARE CLOSED

- Empty water tank,
- Punctured pump diaphragm.
- Discharge line leak,
- Defective pressure switch.
- Insufficient voltage to pump.
- Debris under flapper valves.

LOW FLOW AND PRESSURE

- Air leak at pump intake.
- Accumulation of debris inside pump and plumbing.
- Worn pump bearing (excessive noise).
- Punctured pump diaphragm.
- Defective motor.



Pumps have thermal overload protected motors. The motor will automatically shut off as temperature rises due to an overload condition. If the motor shuts off in this manner, close all noles or valves. After a cooling off period, the pump will automatically re-start.

Jabsco



ITT Industries
Engineered for life



THE PRODUCTS DESCRIBED HEREIN ARE SUBJECT TO THE JABSCO ONE YEAR LIMITED WARRANTY, WHICH IS AVAILABLE FOR YOUR INSPECTION UPON REQUEST.

U.S.A.
Jabsco
1485 Dale Way, P.O. Box 2158
Costa Mesa, CA 92628-2158
Tel: (714) 545-8251

UNITED KINGDOM
Jabsco
Bingley Road, Hoddesdon
Herts SG13 7JN, UK
Tel: +44 (0) 1992 450145

CANADA
Fluid Products Canada
55 Royal Road
Quebec, Quebec H3T 1Y7
Tel: (519) 821-1900

JAPAN
NHK Jabsco Company Ltd,
3-21-10, Shin-Yokohama
Kanagi-Ken, Yokohama
Tel: 045-4758906

GERMANY
Jabsco GmbH
Oststrasse 28
Norderstedt
Tel: +49-40-53 53 73-0

For technical advice or service please take your pump into your local pump service center.
To order pump or parts or for pricing please go to the following links :

[Jabsco Pumps Home >>](#)

[Jabsco Pumps stock list >>](#)