

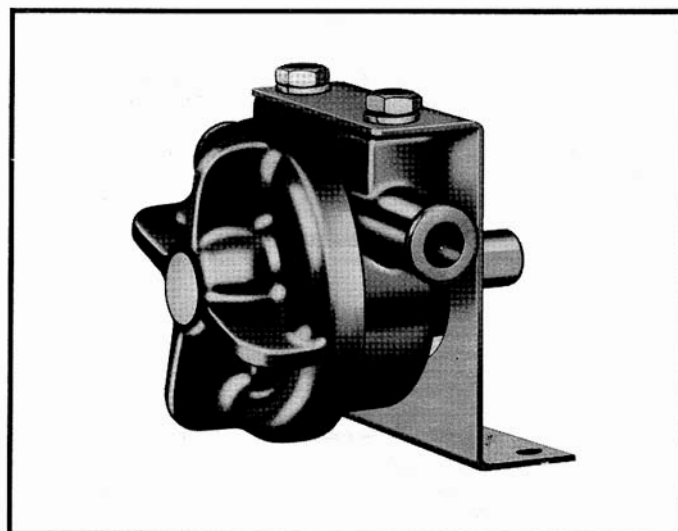


Model 3010-Series

SELF-PRIMING PUMPS

FEATURES

| | |
|------------|--|
| Body: | Phenolic Type Plastic |
| Impellers: | Made of Neoprene, Nitrile or Viton- |
| Shalls: | Stainless Steel or Hastelloy |
| seal: | Lip <i>Type</i> |
| Bearing: | Filled Teflon- - Replaceable |
| Ports: | 5/8 10 Hose - slip on ports |
| Weight: | 8 oz (227 grams) approx. |



VARIATIONS AVAILABLE

| MODEL | DESCRIPTION | MODEL | DESCRIPTION |
|------------------|--|-----------|--|
| 3010-1011 | Stainless Steel Shaft, Neoprene Impeller | 3010-1021 | Hastelloy "B" Shaft, Neoprene Impeller |
| 3010-1013 | Stainless Steel Shaft, Nitrile Impeller | 3010-1023 | Hastelloy "B" Shaft, Nitrile Impeller |
| 3010-1014 | Stainless Steel Shaft, Viton Impeller, Seal & O-ring | 3010-1024 | Hastelloy "B" Shaft, Viton Impeller, Seal & O-ring |

APPLICATIONS

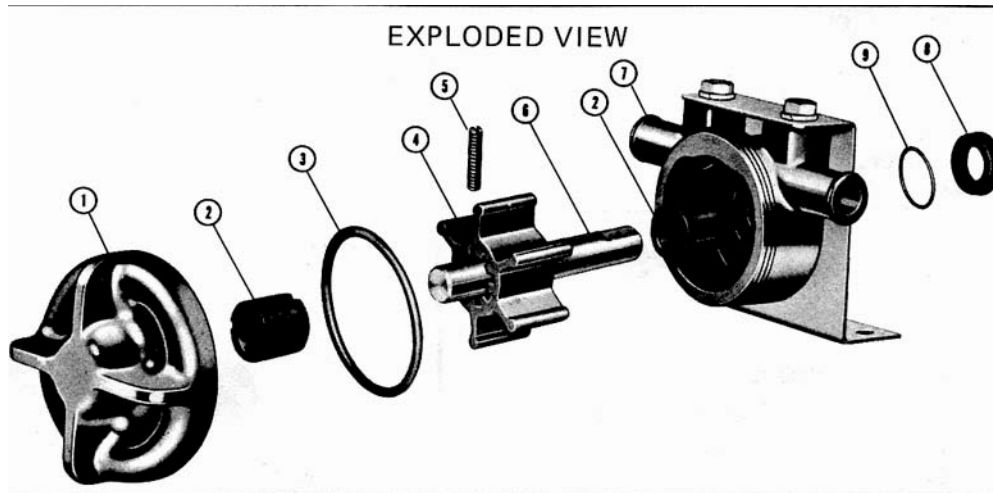
INDUSTRIAL: Designed for: Carboy and drum transfer, hazardous chemical transfer and recirculation, recirculation of descaling compounds through refrigeration and condenser coils, printed circuit etching, general laboratory transfer, photographic fixes and developers, barium transfer, transfer ammonia on blueprint machines, silver recovery, demineralized and distilled water. See Jabsco Chemical Resistance Table (available upon request from ITT Jabsco), which has been prepared to help you select the most suitable impeller and pump material.

31688 - Type 18-8 stainless steel. Possesses excellent corrosion resistance to a wide range of chemical solutions including ammonia, barium, many cyanide solutions, silver nitrate, photographic solutions including fix and developer.

Hastelloy B - (nickel-molybdenum-iron alloy). Possesses excellent resistance to certain highly corrosive fluids such as hydrochloric and muriatic acids, fluoboric acid, oxalic acid.

SHAFT MATERIAL OPTIONS

The only metallic parts in the 3010 series are the shaft and drive pin. These two parts may be varied to cover a wide range of specialized chemical applications. For complete recommendations, consult Chemical Resistance Table (which is available upon request from ITT Jabsco).



PARTS LIST

| K.y | Description | Qty. Req. | Part No. |
|-----|---|-----------|-------------------------------------|
| | End Cover with Teflon Bearing | | 8187-0000 |
| 2 | Tetlon Bearing (Replaceable) | 2 | 18700-0000 |
| 3 | -O-ring (End Cover) Standard Yiton | | 92000-0590 92000-0790 |
| ● | *Impeller Neoprene Nitrile Viton | | 3398-0001 3398-0003 3398-0004 |
| 5 | *Pin (Impeller) Stainless Steel Hastelloy 'B' | | 91029-0070 92850-0030 |
| 6 | Shaft Stainless Steel Hastelloy 'B' | | 1983-0010 1983-0020 |
| 7 | Body with Bearing and Bracket | | 3015-1150 |
| 8 | *Seal Viton | | 93000-0030 |
| 9 | -O-ring (Seal) Standard Yiton | | 92000-0120 92000-0800 |

- Parts supplied in service kit

SERVICE KITS

| PUMP MODEL NUMBER | SERVICE KIT NUMBER |
|-------------------|--------------------|
| 3010-1011 | 90026-1 011 |
| 3010-1013 | 90026-1013 |
| 3010-1014 | 90026-1014 |
| 3010-1024 | 90026-1024 |

HEAD CAPACITY TABLE

| TOTAL HEAD | | 500RPM | | 11 60RPM | | 1750RPM | |
|---------------|-------------|--------------|-----|---------------|-----|---------------|-----|
| P.S.I. | FT. 01 | G.P.M | HP | G.P.M | HP | G.P.M. | HP |
| (kglsq em) | (meters) | (l/min) | | (llmin) | | (llmin) | |
| 1.3 (0,3) | 10 (3,0) | 1.3 (4.9) | 1/6 | 3.5 (13,2) | 1/6 | 5.8 (22,0) | 1/ |
| 8.7 (0,6) | 20 (6,1) | .5 (1,9) | 1/6 | 2.1 (9,5) | 1/5 | 5.0 (18,9) | 1/ |
| 13.0 (0,9) | 30 (9,1) | - | - | 1.4 (5,3) | 1/, | 3.8 (14,4) | 1/, |

ProgreSSively longer hle may be expected as operaltng speeds are reduced. CapacilOr slarlttype molors afe required.

Table shows approximate Head-Flow lor new pump In U.S. gallons per minute with neoprene Impeller. Capacities reduced approximately 10% for Nitrile and Viton impellers,

SERVICE INSTRUCTIONS

Assembly

1. Deform seal and install in body With lips lacing impeller bore. Make sure seal is sealed in its body groove. Remove bearing. Install O-ring onto cup of seal and lubricate inner seal lip with water pump grease. replace bearing in body.
2. Slide impeller on shaft. aligning holes in impeller and shall.
3. Press in impeller drive screw
4. Ughtly oil drive end of shaft and install in body with rotating motion. Be sure shaft is free of burrs. Be sure seal lip is not deformed by shaft.
5. Install C ring in cover.
6. Screw cover onto body. TIGHTEN HAND TIGHT ONLY.

Disassembly

1. Unscrew end cover. USE CARE NOT TO BREAK RIBS.
2. Withdraw impeller and shaft assembly.
3. Remove impeller to shaft screw, then slide impeller off the shaft
4. Using a hooked wire, remove bearing from body. Remove O-ring from seal. Deform seal and remove from body. Use care not to mar or scratch seal bore.

NOTE: Inspect all parts for wear or damage and replace II necessary.

ITT Jabsco

A Unit of In Fluid Technology Corporation

THE PRODUCTS DESCRIBED HEREIN ARE SUBJECT TO THE JABSCO ONE YEAR LIMITED WARRANTY, WHICH IS AVAILABLE FOR YOUR INSPECTION UPON REaUEST



UNITED STATES
1485 Dale Way, P.O. Box 2158
Costa Mesa, CA 92628-2158
Tel: (714) 545-8251
Fax: (714) 957-0609
All Rights Reserved

UNITED KINGDOM
Bingley Road, Hoddesdon Hertfordshire
EN11 000
Tel: t44 (0) 1992 450145
Fax: +44 (0) 1992467132
Form: 43000-0185

For technical advice or service please take your pump into your local pump service center.
To order pump or parts or for pricing please go to the following links :

[Jabsco Pumps Home >>](#)

[Jabsco Pumps stock list >>](#)