

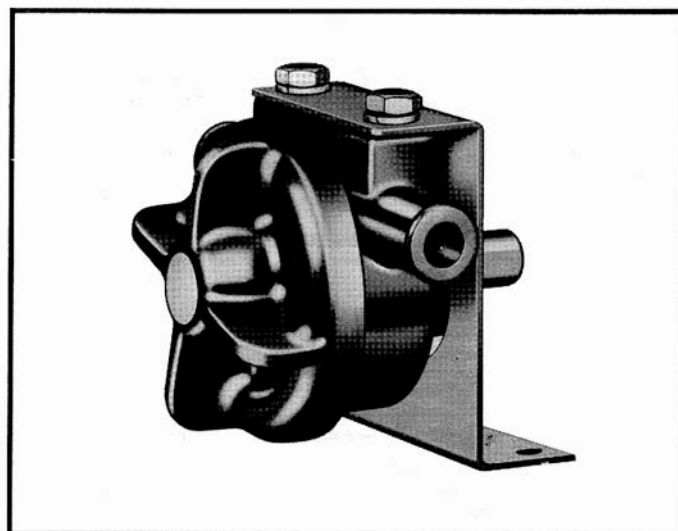


Model 3010-Series

SELF-PRIMING PUMPS

FEATURES

Body:	Phenolic Type Plastic
Impellers:	Made of Neoprene, Nitrile or Viton-
Shalls:	Stainless Steel or Hastelloy
seal:	Lip <i>Type</i>
Bearing:	Filled Teflon- - Replaceable
Ports:	5/8 10 Hose - slip on ports
Weight:	8 oz (227 grams) approx.



VARIATIONS AVAILABLE

MODEL	DESCRIPTION	MODEL	DESCRIPTION
3010-1011	Stainless Steel Shaft, Neoprene Impeller	3010-1021	Hastelloy "B" Shaft, Neoprene Impeller
3010-1013	Stainless Steel Shaft, Nitrile Impeller	3010-1023	Hastelloy "B" Shaft, Nitrile Impeller
3010-1014	Stainless Steel Shaft, Viton Impeller, Seal & O-ring	3010-1024	Hastelloy "B" Shaft, Viton Impeller, Seal & O-ring

APPLICATIONS

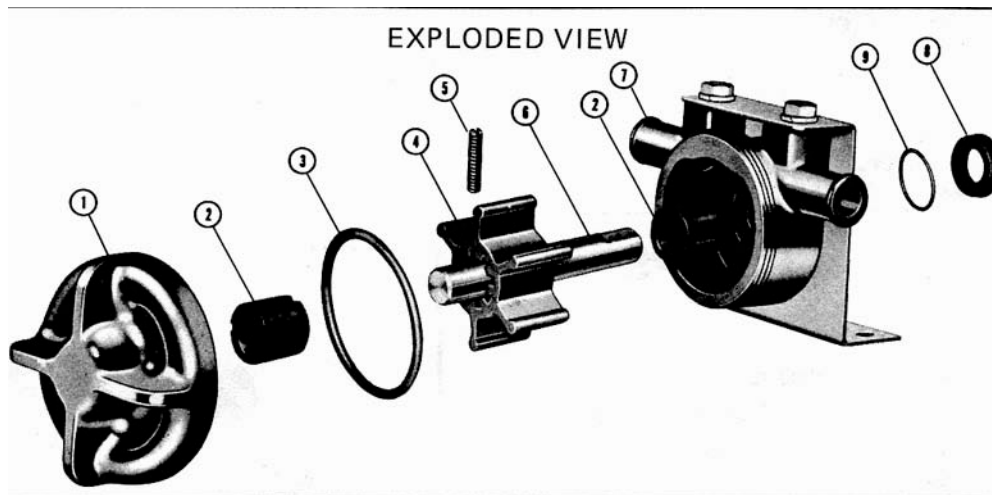
INDUSTRIAL: Designed for: Carboy and drum transfer, hazardous chemical transfer and recirculation, recirculation of descaling compounds through refrigeration and condenser coils, printed circuit etching, general laboratory transfer, photographic fixes and developers, barium transfer, transfer ammonia on blueprint machines, silver recovery, demineralized and distilled water. See Jabsco Chemical Resistance Table (available upon request from ITT Jabsco), which has been prepared to help you select the most suitable impeller and pump material.

31688 - Type 18-8 stainless steel. Possesses excellent corrosion resistance to a wide range of chemical solutions including ammonia, barium, many cyanide solutions, silver nitrate, photographic solutions including fix and developer.

Hastelloy B - (nickel-molybdenum-iron alloy). Possesses excellent resistance to certain highly corrosive fluids such as hydrochloric and muriatic acids, fluoboric acid, oxalic acid.

SHAFT MATERIAL OPTIONS

The only metallic parts in the 3010 series are the shaft and drive pin. These two parts may be varied to cover a wide range of specialized chemical applications. For complete recommendations, consult Chemical Resistance Table (which is available upon request from ITT Jabsco).



PARTS LIST

K.y	Description	Qty. Req.	Part No.
	End Cover with Teflon Bearing		8187-0000
2	Tetlon Bearing (Replaceable)	2	18700-0000
3	-O-ring (End Cover) Standard Yiton		92000-0590 92000-0790
●	*Impeller Neoprene Nitrile Viton		3398-0001 3398-0003 3398-0004
5	*Pin (Impeller) Stainless Steel Hastelloy 'B'		91029-0070 92850-0030
6	Shaft Stainless Steel Hastelloy 'B'		1983-0010 1983-0020
7	Body with Bearing and Bracket		3015-1150
8	*Seal Viton		93000-0030
9	-O-ring (Seal) Standard Yiton		92000-0120 92000-0800

- Parts supplied in service kit

SERVICE KITS

PUMP MODEL NUMBER	SERVICE KIT NUMBER
3010-1011	90026-1 011
3010-1013	90026-1013
3010-1014	90026-1014
3010-1024	90026-1024

HEAD CAPACITY TABLE

TOTAL HEAD		500RPM		11 60RPM		1750RPM	
P.S.I.	FT. 01	G.P.M	HP	G.P.M	HP	G.P.M.	HP
(kg/sq em)	(meters)	(l/min)		(llmin)		(llmin)	
1.3 (0,3)	10 (3,0)	1.3 (4.9)	1/6	3.5 (13,2)	1/6	5.8 (22,0)	1/
8.7 (0,6)	20 (6,1)	.5 (1,9)	1/6	2.1 (9,5)	1/5	5.0 (18,9)	1/
13.0 (0,9)	30 (9,1)	-	-	1.4 (5,3)	1/,	3.8 (14,4)	1/,

ProgreSSively longer hle may be expected as operaltng speeds are reduced. CapacilOr slarlttype molors afe required.

Table shows approximate Head-Flow lor new pump In U.S. gallons per minute with neoprene Impeller. Capacities reduced approximately 10% for Nitrile and Viton impellers,

SERVICE INSTRUCTIONS

Assembly

1. Deform seal and install in body With lips facing impeller bore. Make sure seal is sealed in its body groove. Remove bearing. Install O-ring onto cup of seal and lubricate inner seal lip with water pump grease. replace bearing in body.
2. Slide impeller on shaft. aligning holes in impeller and shall.
3. Press in impeller drive screw
4. Ughtly oil drive end of shaft and install in body with rotating motion.
Be sure shaft is free of burrs. Be sure seal lip is not deformed by shaft.
5. Install C ring in cover.
6. Screw cover onto body. TIGHTEN HAND TIGHT ONLY.

Disassembly

1. Unscrew end cover. USE CARE NOT TO BREAK RIBS.
2. Withdraw impeller and shaft assembly.
3. Remove impeller to shaft screw, then slide impeller off the shaft
4. Using a hooked wire, remove bearing from body. Remove O-ring from seal. Deform seal and remove from body. Use care not to mar or scratch seal bore.

NOTE: Inspect all parts for wear or damage and replace II necessary.

ITT Jabsco

A Unit of In Fluid Technology Corporation

THE PRODUCTS DESCRIBED HEREIN ARE SUBJECT TO THE JABSCO ONE YEAR LIMITED WARRANTY, WHICH IS AVAILABLE FOR YOUR INSPECTION UPON REaUEST



UNITED STATES
1485 Dale Way, P.O. Box 2158
Costa Mesa, CA 92628-2158
Tel: (714) 545-8251
Fax: (714) 957-0609
All Rights Reserved

UNITED KINGDOM
Bingley Road, Hoddesdon Hertfordshire
EN11 000
Tel: t44 (0) 1992 450145
Fax: +44 (0) 1992467132
Form: 43000-0185

For technical advice or service please take your pump into your local pump service center.
To order pump or parts or for pricing please go to the following links :

[Jabsco Pumps Home >>](#)

[Jabsco Pumps stock list >>](#)