



Model 18690-0000

Model 18690-0000

## 115 VOLT AC MACERATOR

### FEATURES

- Pump:** Self-Priming Flexible Impeller with Stainless Steel Wearplates
- Impeller:** Jabsco Nitrile Compound
- Macerator:** Stainless Steel Cutter Plate reduces particle size to 1/8" (3.17 mm) maximum
- Seal:** Lip Type
- Ports:** Inlet – 1-1/2" (38 mm) NPT Male and 1-1/2" (38 mm) barb  
Outlet – 1" (25.4 mm) Hose Barb
- Motor:** 115 Vac, AC Induction Type  
Single Phase, 60 Hz  
Thermal Overload Protection
- Weight:** 19 lb (41.8 kg)



**WARNING** Explosion hazard. motor can spark. Explosion & death can occur. Do not use where flammable vapors are present.

### APPLICATION INFORMATION

The Jabsco 18690-0000 AC macerator pump unit is the ideal answer to waste handling problems for marine, recreational vehicle and domestic uses. The macerator section grinds waste down to a particle size of 1/8" maximum so it can be pumped easily through a 1" hose discharge line. The pump is self-priming, permitting the unit to be mounted above or below the tank in a convenient location. For optimal efficiency, locate pump as close to waste source as practical.

Empties a 30 gallon holding tank in only 3 minutes.

The 18690-0000 waste pump will macerate and pump all waste and tissue normally found in marine waste systems. IT WILL NOT HANDLE HARD SOLID OBJECTS, SANITARY NAPKINS OR RAGS.

### HEAD CAPACITY TABLE

Feet of Head	GPM
5	14.0
10	13.0
20	10.0
30	7.5

Flow rates are for water, capacity may be slightly reduced when handling heavy solids. Full load Amps – 7.2

### INSTALLATION

**Locating the pump:** The Jabsco AC macerator pump unit is self-priming to a six foot lift and may be located at any convenient point in the waste discharge system. It should be mounted upright so the motor's bearing lube channels are accessible and to prevent the oil from draining out of them. For optimal efficiency, locate pump as close to waste source as practical. Ideally, if connected to the bottom of the holding tank, the hose length should be long enough so the hose-to-pump connection can be raised



above the maximum liquid level should service be needed when the tank is full.

**Plumbing Connections:** Use 1-1/2" ID non-collapsible suction hose. Attach suction hose to the inlet port and secure it with a quality marine grade hose clamp. All suction connections must be airtight and free of sharp bends or restrictions. Use minimum 1" ID contractors hose for discharge.

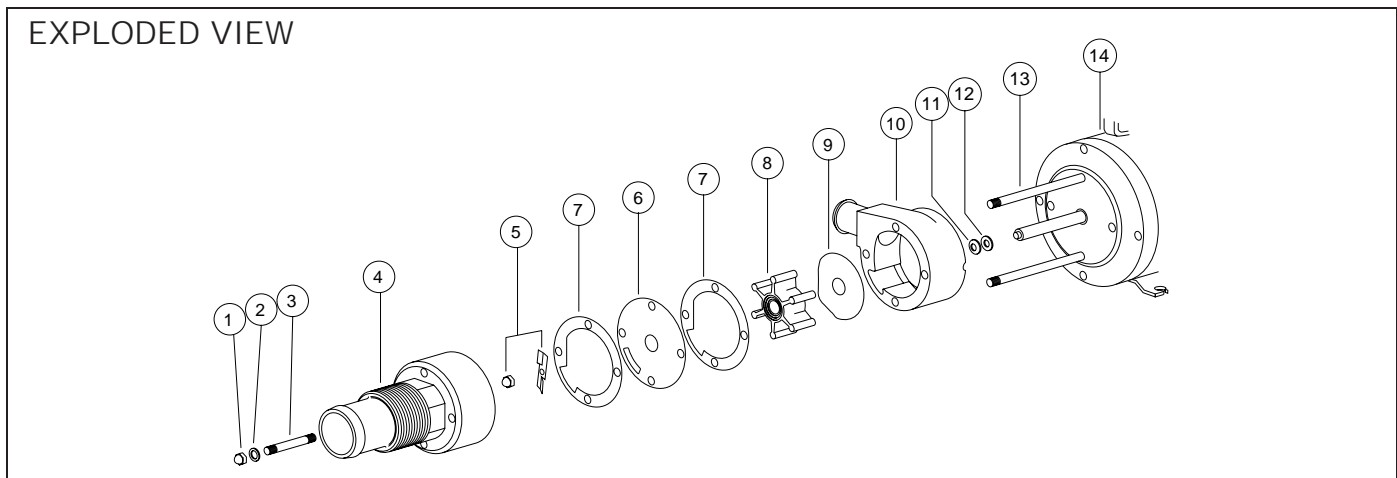
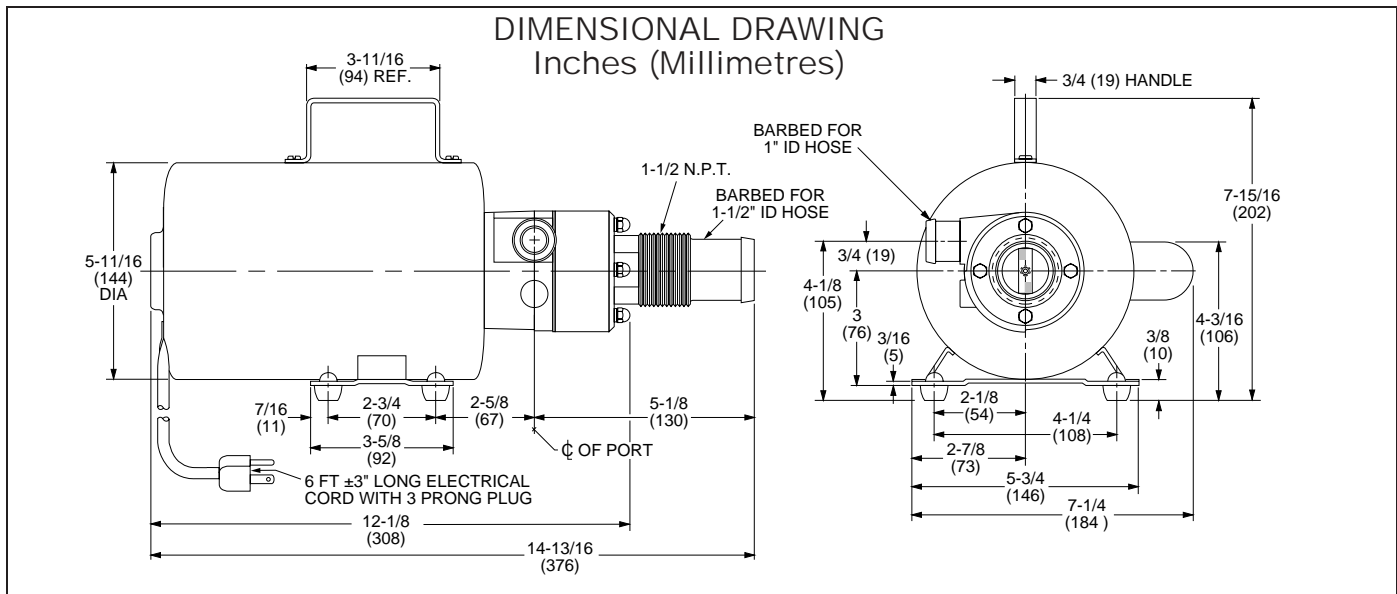
Be sure adequate voltage and current capacity is available in electrical installation.

### OPERATING INSTRUCTIONS

The Jabsco macerator pump unit has been designed to handle waste, toilet tissue, and facial tissue. It will also handle solids such as filter tip cigarettes, cigars and chunks of soft fruits or vegetables less than 1" in size. It will NOT pump solid objects like peach pits, rags, or sanitary napkins. The holding tank and pump should be flushed with several gallons of water after each pumpout. Do NOT run pump dry for longer than 30 seconds.

### SERVICE INSTRUCTIONS

1. Remove acorn nuts and inlet housing.
2. Unscrew nut retaining cutter plate from shaft by turning counterclockwise facing cutter. Hold motor shaft behind chopper to prevent shaft from turning with a thin 9/32" (7 mm) ignition wrench.
3. Remove gaskets, wearplate and slide pump assembly off of mounting studs.
4. Replace seal, impeller gaskets or other parts as necessary. To remove seal, push out evenly with screwdriver from impeller bore side of body. To reassembly seal, coat outside of metal case with a light coat of sealant and press into body with lip facing impeller. Press star retaining washer (with concave side up) into seal bore and against seal case. A light coating of grease should then be applied to impeller bore and wearplate to aid initial dry startup.
5. Reassemble body, impeller, gaskets, wearplate, cutter plate, suction housing and acorn nuts.



**PARTS LIST**

Key	Description	Part Number	Qty. Req.	Key	Description	Part Number	Qty. Req.
1	Acorn Nut	91085-0340	4	8	Impeller	6303-0003*	1
2	Fiber Washer	91613-0140*	4	9	Wearplate, Small	12316-1002	1
3	Stud, Short	17288-0010*	2	10	Body	18593-1000*	1
4	Macerator Housing	18594-1001	1	11	Seal	1040-0000*	1
5	Cutter Plate with Nut	37056-1000	1	12	Slinger	6342-0000	1
6	Wearplate, Large	18597-1000	1	13	Stud, Long	17288-0000	2
7	Gasket Kit (2 ea per kit)	18596-1000*	1	14	Motor Sub-Assembly-115v Service Kit	18744-0000 18598-1000	1

\* These parts are supplied in 18598-1000 service kit.

**Jabco**



THE PRODUCTS DESCRIBED HEREIN ARE SUBJECT TO THE JABSCO ONE YEAR LIMITED WARRANTY, WHICH IS AVAILABLE FOR YOUR INSPECTION UPON REQUEST.

U.S.A.  
Jabco  
20 Icon  
Foothill Ranch, CA 92610-3000  
Tel: 949 609.5106  
Fax: 949 859.1254

UNITED KINGDOM  
Jabco  
Bingley Road, Hoddesdon  
Hertfordshire EN11 OBU  
Tel: +44 (0) 1992 450145  
Fax: +44 (0) 1992 467132

CANADA  
Fluid Products Canada  
55 Royal Road  
Guelph, Ontario N1H 1T1  
Tel: 519 821.1900  
Fax: 519 821.2569

JAPAN  
NHK Jabco Company Ltd.  
3-21-10, Shin-Yokohama  
Kohoku-Ku, Yokohama, 222  
Tel: 045.475.8906  
Fax: 045.475.8908

GERMANY  
Jabco GmbH  
Oststrasse 28  
22840 Norderstedt  
Tel: +49-40-53 53 73 -0  
Fax: +49-40-53 53 73 -11